

RONIN

models: 128_B MA A84 NB
128_P MA A84 NB

USER INSTRUCTIONS

MERRYFAIR

A Seat Height Adjustment
Flip up lever on right-side to raise or lower seat. Adjust such that your feet are adequately supported on floor.

B Multi-Position Tilt Lock
Recline to desired position, and flip down lever on left-side to lock. Flip up lever and recline to release tilt-lock.

C Armrest Height
Pull button to unlock armrest and raise or lower it to desired height, and release button to lock. Adjust such that elbows are resting on armpads without straining the shoulders.

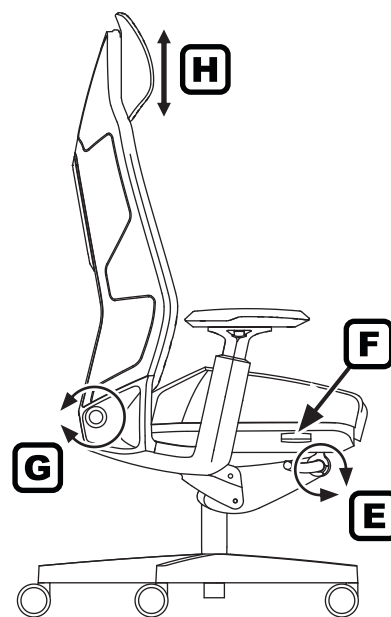
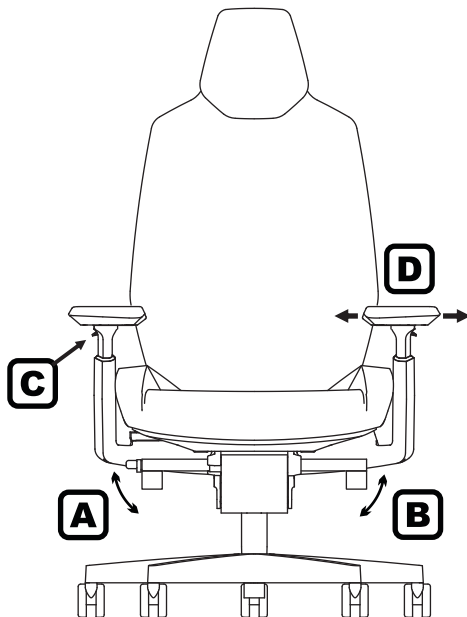
D Armpad Width
Grasp armpads and slide out or inwards to desired width to match shoulder width. Adjust such that elbows are resting on armpads at a natural angle.

E Tilt / Recline Tension
Turn crank clockwise to increase tilt tension, and vice-versa. Heavier persons will require more recline tension. Adjust tension such that minimum effort is required to recline.

F Seat Depth
Pull lever out to slide seat forward or backward to desired depth. Adjust such that the front edge is not pressing on to calves while your back is resting on backrest.

G Lumbar Depth & Height
Turn the right side knob to increase or reduce lumbar support pressure. Turn the left hand knob to adjust the lumbar pad height position.

H Headrest Height
Grasp headrest and slide up or downwards to desired height. Adjust such that the back of neck is supported just below the head.



This chair is intended for indoor desk work use.

It is equipped with a swivel base and castors to be highly mobile. As such, NEVER stand on chair to reach for high items or sit on its armrests or back since it may move off unexpectedly and result in a falling HAZARD.

Care and Maintenance

With regular care and maintenance, your Merryfair *RONIN* seating will provide many years of superior performance and satisfaction. These instructions are provided to you as a service and no warranty is implied since results may vary.

Textile Surfaces

Normal Cleaning

For normal cleaning, vacuum fabric as needed using an upholstery attachment. Vacuuming picks up dust and reduces the need for professional cleaning. *Do not brush fabric or use a vacuum attachment with a rotary brush. Brushing may permanently damage the nap or change the character of the fabric.*

Spot Cleaning

To spot-clean fabric, immediately soak up the stain with a soft absorbent cloth. Do not dry the stain completely or it may set. The longer a stain is allowed to remain on a fabric, the more difficult it is to remove.

For water-based stains such as coffee, soft drinks, fruit juices, or milk use a water-based cleaner (specifically made for cleaning fabric) or a solution of mild (alkaline) warm soapy water (not overly soapy) applied with a damp clean cloth or sponge. Work the cleaner into a lather or foam. *Never use hot water; it will set the stain. Avoid scrubbing.*

For oil-based stains such as lipstick, grease, or salad dressing use a dry cleaning solution applied with a damp clean cloth or sponge. Test the cleaning solution on a small, concealed area first. If there is no spotting, ringing, or damage to the fabric or its dyes, apply the cleaning solution to the soiled area with light, quick strokes. Begin at the outside of the stain and work toward the center, being careful not to over-saturate the fabric.

Do not over apply water or any liquid solution to fabric. Excessive wetting of the fabric with any liquid solution may result in permanent damage to the material.

Do not rub too vigorously or you may damage the nap of the fabric or break fibers. Several light applications are better than one heavy application.

Soak up all remaining solution and then use another clean cloth or sponge dipped in cool water to remove any residue.

Let fabric dry thoroughly and then vacuum well before using. If the stain resists cleaning, call a professional cleaner.

Leather Surfaces

For normal cleaning, vacuum or dust frequently with a clean, dry cloth. If leather is soiled, it can be wiped with a soft cloth using specialized leather cleaner.

Do not spot clean leather; clean the entire surface. Wipe clean with a damp cloth and dry with a clean, soft cloth.

For spots and spills, wipe excess liquid immediately with a clean cloth or sponge; let the leather air dry. If further cleaning is necessary, sponge the entire surface with lukewarm water.

Let the leather air dry; never use a hair dryer or other heat source to dry leather. For stubborn spots and stains, apply a mild, nonabrasive soap solution with a clean, wet sponge. Rinse well and let air dry.

For butter, oil, or grease, wipe the leather with a clean, dry cloth and let the remainder of the oil dissipate into the leather. Do not apply water or try to wash a grease spot.

Do not use saddle soap, cleaning solvents, oils, furniture polishes, varnishes, abrasive cleaners, detergents, or ammonia on leather; they will ruin the finish, causing it to become sticky and cracked.

Plastic Surfaces – Seat, Back Shell, Armrests

For normal cleaning, wash surface with a soft cloth soaked in mild detergent and warm water. Rinse thoroughly and dry with a soft cloth. Do not use solvents or abrasive kitchen cleaners.

Epoxy powder-coated Metal – Arm frame, 5 Star Base

For normal cleaning, wash coated metal surfaces with a soft cloth soaked in detergent and warm water; rinse thoroughly and dry.

Remove scuff marks from low-gloss coatings with pre-softened paste wax, following the manufacturer's instructions. Remove scuff marks and scratches from high-gloss coatings using automotive polishing compounds, either liquid or paste. After polishing, apply a pre-softened automotive paste wax to restore original sheen.

Moving Parts

The moving parts of the chair do not require servicing or lubrication by the user. The adjustment and tilt mechanisms and swivel column are NOT user serviceable components.

IMPORTANT NOTE: The swivel column contains a high-pressure gas spring which can cause harm if mishandled by untrained personnel. Please call for authorised service personnel if any of these components malfunction.

