

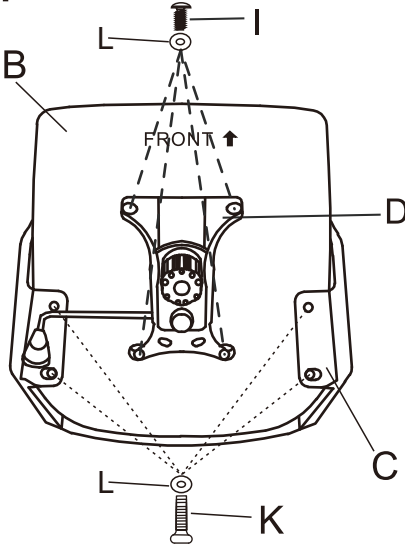
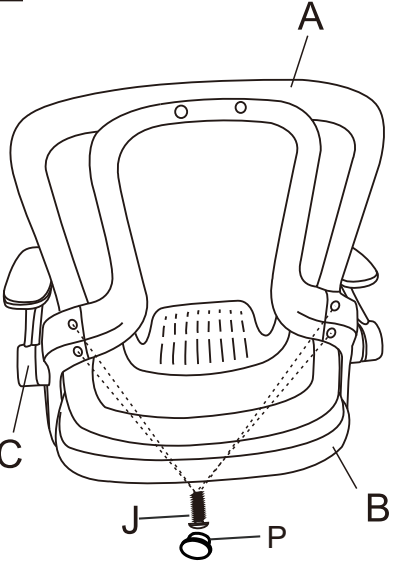
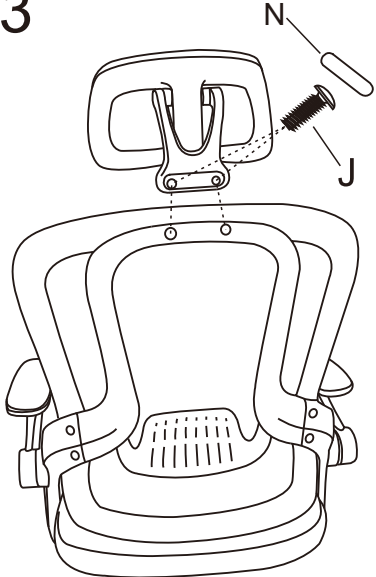


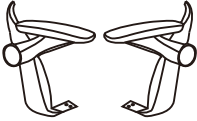

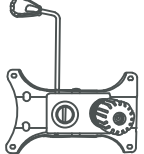



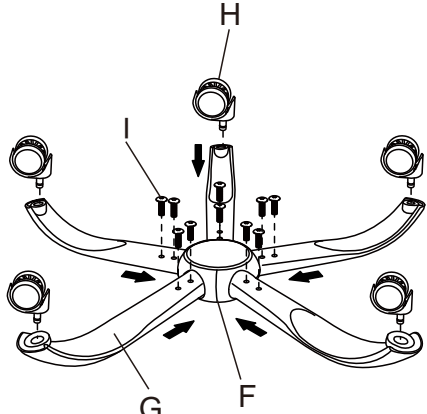
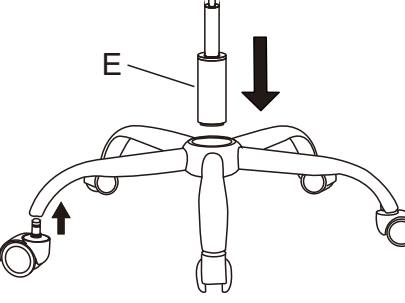

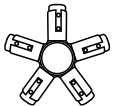






# ASSEMBLY INSTRUCTION

<p>(A) X1</p> 	<p>(G) X5</p> 	<p>1</p> 	<p>2</p> 	<p>3</p> 
<p>(B) X1</p> 	<p>(H) X5</p> 			
<p>(C) X1</p> 	<p>(I) X14</p>  <p>M6x20mm</p>			
<p>(D) X1</p> 	<p>(J) X6</p>  <p>M6x25mm</p>			
<p>(E) X1</p> 	<p>(K) X4</p>  <p>M6x35mm</p>	<p>4</p> 	<p>5</p> 	<p>6</p> 
<p>(F) X1</p> 	<p>(L) X8</p> 			
	<p>(M) X1</p> 			
	<p>(N) X1</p> 			
	<p>(O) X1</p> 			
	<p>(P) X4</p> 