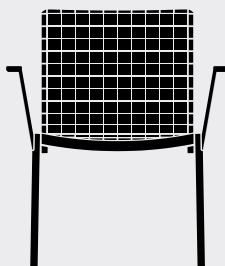
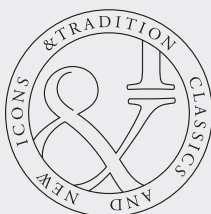
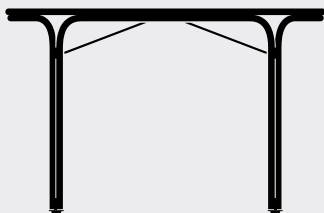


# &Tradition The Collection 2024



























































































ADDA 2024

































































Price list 2024 – Valid from February 1st  
Currency: SEK

# Index

## Chairs and Lounge

|                               |  |  |  |   |  |  |
|-------------------------------|--|--|--|---|--|--|
| <b>Catch</b><br>p. 15-16      | JH1     | JH2     | JH15    | JH13    | JH14    |  |
| <b>Catch</b><br>p. 17         | JH16    | JH17    |  |   |  |  |
| <b>Elefy</b><br>p. 18-20      | JH28    | JH29    | JH30    | JH31    |  |  |
| <b>Elefy</b><br>p. 22-25      | JH32    | JH33    | JH34    | JH35    |  |  |
| <b>Elefy</b><br>p. 26-27      | JH36    | JH37    |  |   |  |  |
| <b>In Between</b><br>p. 28-31 | SK1     | SK2     | SK7     | SK8     | SK9     | SK10    |
| <b>Pavilion</b><br>p. 32-38   | AV1     | AV2     | AV3     | AV4     | AV12    | AV13    |
| <b>Pavilion</b><br>p. 39-41   | AV5    | AV6    | AV11   |   |  |  |
| <b>Pavilion</b><br>p. 42-47   | AV7   | AV8   | AV14  | AV9   | AV10  | AV15  |
| <b>Rely</b><br>p. 48-52       | HW6   | HW7   | HW8   | HW9   | HW10  |  |
| <b>Rely</b><br>p. 53-63       | HW11  | HW12  | HW13  | HW14  | HW15  |  |
|                               | HW16  | HW17  | HW18  | HW19  | HW20  |  |
| <b>Rely</b><br>p. 63-67       | HW21  | HW22  | HW23  | HW24  | HW25  |  |
| <b>Rely</b><br>p. 68-69       | HW26  | HW27  |  |   |  |  |
| <b>Rely</b><br>p. 70-74       | HW65  | HW66  | HW67  | HW68  | HW69  |  |
| <b>Rely</b><br>p. 75-79       | HW28  | HW29  | HW30  | HW31  | HW32  |  |
| <b>Rely</b><br>p. 80-84       | HW33  | HW34  | HW35  | HW36  | HW37  |  |
| <b>Rely</b><br>p. 85-94       | HW38  | HW39  | HW40  | HW41  | HW42  |  |
|                               | HW43  | HW44  | HW45  | HW46  | HW47  |  |
| <b>Rely</b><br>p. 95-99       | HW48  | HW49  | HW50  | HW51  | HW52  |  |

# Index

|   |   |   |  |   |   |   |
|---|---|---|--|---|---|---|
| <b>Rely</b><br>p. 100-104               | HW53               | HW54                 | HW55              | HW56              | HW57               |   |
| <b>Rely</b><br>p. 105-112               | HW71               | HW72                 | HW73              | HW74              | HW75               |   |
| <b>Rely</b><br>p. 110-114               | HW76               | HW77                 | HW78              | HW79              | HW80               |   |
| <b>Rely Counter stool</b><br>p. 115-119 | HW81               | HW82                 | HW83              | HW84              | HW85               |   |
| <b>Rely Bar stool</b><br>p. 120-124     | HW86               | HW87                 | HW88              | HW89              | HW90               |   |
| <b>Rely Counter chair</b><br>p. 125-129 | HW91               | HW92                 | HW93              | HW94              | HW95               |   |
| <b>Rely Bar chair</b><br>p. 130-134     | HW96               | HW97                 | HW98              | HW99              | HW100              |   |
| <b>Rely Lounge chair</b><br>p. 135-139  | HW101             | HW102               | HW103            | HW104            | HW105             |   |
| <b>Rely Seat Pad</b><br>p. 140-143      | Seat pad         | Armchair seat pad  | Stool seat pad  |   |   |   |
| <b>Betty</b><br>p. 143-146              | TK1              | TK2                | TK3             | TK9  <b>NEW</b> | TK10  <b>NEW</b> | TK11  <b>NEW</b> |
| <b>Betty</b><br>p. 147-148              | TK4              | TK5                | TK7             | TK8              |   |   |
| <b>Allwood</b><br>p. 151                | AV35  <b>NEW</b> | AV35  <b>NEW</b>   |  |   |   |   |
| <b>Boomerang</b><br>p. 151-152          | HM1              | HM2                |  |   |   |   |
| <b>X</b><br>p. 153                      | HM10             |   |  |   |   |   |
| <b>AX</b><br>p. 154                     | HM11  <b>NEW</b> |   |  |   |   |   |
| <b>Drawn</b><br>p. 155                  | HM3              | HM4                | Seat pad      |   |   |   |

# Index

---

## Lounge and Sofas

---

**Little Petra & Pouf**  
p. 156-161

VB1



VB2



VB3  
NEW



ATD1



**Wulff & Pouf**  
p. 162-164

ATD2



ATD3



**Margas**  
p. 165-167

LC1



LC2



LC3



**Loafer**  
p. 168-171

SC24



SC23



SC25



SC26



**Inland**  
p. 172-175

AV21



AV22



AV23



AV32



**Mayor**  
p. 176-177

AJ5



AJ6



**Cloud**  
p. 178-180

LN1



LN2



LN3.2



**Cloud**  
p. 181-183

LN5



LN6



LN7



**Develius**  
p. 184-195

EV1-  
EV7



EV1J-  
EV2K



EV8A-  
EV8K  
NEW



**Isole**  
p. 197-198

NN1A-  
NN1G



**Fly**  
p. 199-204

SC10



SC1



SC2



SC3



SC12




















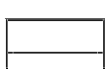
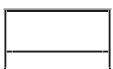





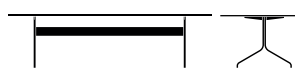


SC9



# Index

## Tables

|                                 |   |   |   |
|---------------------------------|---|---|---|
| <b>Fly</b><br>p. 205-206        | SC4<br>                  | SC5<br>                | SC11<br>                         |
| <b>Sett</b><br>p. 207           | LN11<br><b>NEW</b><br>   | LN12<br><b>NEW</b><br> | LN13<br><b>NEW</b><br>           |
| <b>In Between</b><br>p. 208-209 | SK13<br>SK14<br>SK15<br> | SK23<br>SK24<br>       |   |
| <b>In Between</b><br>p. 210-212 | SK3<br>SK4<br>           | SK5<br>                | SK6<br>                          |
| <b>In Between</b><br>p. 213-218 | SK11<br>SK12<br>         | SK16-<br>SK21<br>     | SK16<br>SK17<br>SK21<br>SK22<br> |
| <b>Patch</b><br>p. 219-220      | HW1<br>                  | HW2<br>                |   |
| <b>Drip</b><br>p. 221-223       | HW58<br>                 | HW59<br>               | HW60<br>                         |
| <b>Drip</b><br>p. 224-233       | HW61<br>HW62<br>        | HW63<br>HW64<br>      | HW111<br>HW112<br>               |
| <b>Pavilion</b><br>p. 234       | AV16<br>               | AV17<br>             |   |
| <b>Pavilion</b><br>p. 235       | AV18<br>               | AV19<br>             | AV24<br>                       |

|                       |  |  |
|-----------------------|--|--|
| <b>Lato</b><br>p. 238 | LN8<br> | LN9<br> |
|-----------------------|--|--|

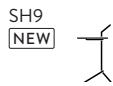
|                         |   |
|-------------------------|---|
| <b>Rotate</b><br>p. 240 | SC73<br> |
|-------------------------|---|

|                        |   |
|------------------------|---|
| <b>Alima</b><br>p. 241 | NDS1<br> |
|------------------------|---|

# Index

---

**Halten**  
p. 246



---

## Outdoor

**Rely**  
**Outdoor chair**  
p. 248



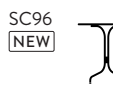
**Rely**  
p. 249



**Thorvald**  
p. 250



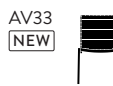
**Thorvald**  
p. 251



**Thorvald**  
p. 252



**Ville**  
p. 253



**Ville**  
p. 254



**Ville**  
p. 255





---

**Amore**  
p. 288

SC49



SC50



SC56



---

**Sillon**  
p. 289

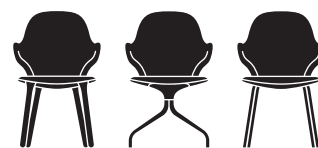
SH4-  
SH7





# Catch JH1, JH2 & JH15

Jaime Hayon  
2013 & 2017



| Price group  | Upholstery  | Model | Base      | Lead time | Weight  | PRICE EX. VAT (SEK) | PRICE INC. VAT (SEK) |
|--------------|---|-------|-----------|-----------|---------|---------------------|----------------------|
| Fabric gr. 1 | Hot Madison, Remix, Re-Wool                           | JH1   | Solid Oak | 6-8 weeks | 8.50 kg | 7.756               | 9.695                |
|              |   | JH2   | Swivel    | 6-8 weeks | 9.50 kg | 9.068               | 11.335               |
|              |   | JH15  | Tube      | 6-8 weeks | 8.50 kg | 7.756               | 9.695                |
| Fabric gr. 2 | Canvas, Barnum, Fiord, Ritz                           | JH1   | Solid Oak | 6-8 weeks | 8.50 kg | 8.352               | 10.440               |
|              |   | JH2   | Swivel    | 6-8 weeks | 9.50 kg | 9.664               | 12.080               |
|              |   | JH15  | Tube      | 6-8 weeks | 8.50 kg | 8.352               | 10.440               |
| Fabric gr. 3 | Clay, Hallingdal, Steelcut Quartet, Steelcut Trio     | JH1   | Solid Oak | 6-8 weeks | 8.50 kg | 8.592               | 10.740               |
|              |   | JH2   | Swivel    | 6-8 weeks | 9.50 kg | 9.904               | 12.380               |
|              |   | JH15  | Tube      | 6-8 weeks | 8.50 kg | 8.592               | 10.740               |
| Fabric gr. 4 | Acca, Cifrado, Ecriture, Moss, Uniform Melange, Vidar | JH1   | Solid Oak | 6-8 weeks | 8.50 kg | 9.548               | 11.935               |
|              |   | JH2   | Swivel    | 6-8 weeks | 9.50 kg | 10.860              | 13.575               |
|              |   | JH15  | Tube      | 6-8 weeks | 8.50 kg | 9.548               | 11.935               |
| Fabric gr. 5 | Karakorum, Sisu                                       | JH1   | Solid Oak | 6-8 weeks | 8.50 kg | 11.100              | 13.875               |
|              |   | JH2   | Swivel    | 6-8 weeks | 9.50 kg | 12.412              | 15.515               |
|              |   | JH15  | Tube      | 6-8 weeks | 8.50 kg | 11.100              | 13.875               |
| Fabric gr. 6 | Fuse, Gentle  | JH1   | Solid Oak | 6-8 weeks | 8.50 kg | 12.292              | 15.365               |
|              |   | JH2   | Swivel    | 6-8 weeks | 9.50 kg | 13.604              | 17.005               |
|              |   | JH15  | Tube      | 6-8 weeks | 8.50 kg | 12.292              | 15.365               |
| Leather      | Tailor Semi-aniline leather                           | JH1   | Solid Oak | 6-8 weeks | 8.50 kg | 11.936              | 14.920               |
|              |   | JH2   | Swivel    | 6-8 weeks | 9.50 kg | 13.248              | 16.560               |
|              |   | JH15  | Tube      | 6-8 weeks | 8.50 kg | 11.936              | 14.920               |
| Leather      | Noble Aniline leather                                 | JH1   | Solid Oak | 6-8 weeks | 8.50 kg | 14.084              | 17.605               |
|              |   | JH2   | Swivel    | 6-8 weeks | 9.50 kg | 15.396              | 19.245               |
|              |   | JH15  | Tube      | 6-8 weeks | 8.50 kg | 14.084              | 17.605               |
| Leather      | Elmosoft Semi-aniline leather                         | JH1   | Solid Oak | 6-8 weeks | 8.50 kg | 15.876              | 19.845               |
|              |   | JH2   | Swivel    | 6-8 weeks | 9.50 kg | 17.188              | 21.485               |
|              |   | JH15  | Tube      | 6-8 weeks | 8.50 kg | 15.876              | 19.845               |
| Fabric COM   | COM Fabric  | JH1   | Solid Oak | 6-8 weeks | 8.50 kg | 7.756               | 9.695                |
|              |   | JH2   | Swivel    | 6-8 weeks | 9.50 kg | 9.068               | 11.335               |
|              |   | JH15  | Tube      | 6-8 weeks | 8.50 kg | 7.756               | 9.695                |

**JH1:** Felt gliders installed as standard.  
**JH2:** Plastic gliders installed as standard.  
**JH15:** Plastic gliders installed as standard. Felt gliders available upon request.

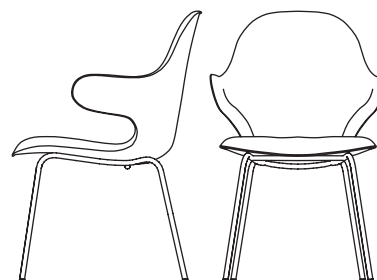
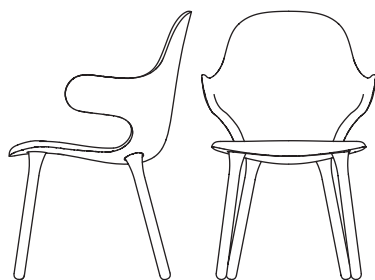
| Base      | Finish   |
|-----------|--|
| Solid Oak | Oiled Oak, Smoked Oiled Oak, Water Based Black Lacquered Oak |
| Swivel    | Powder Coated Black, Polished Aluminium                      |
| Tube      | Powder Coated Black  |

**Material:** Moulded PU foam and HR foam.

**Fabric usage:** 1.8 meters based on 140cm roll.

**Leather usage:** 5 square meters based on a yield of 60% pr hide.

COM must be approved by &Tradition to ensure suitability for upholstery.



58cm / 22.8in      58cm / 22.8in

JH1                      JH1

58cm / 22.8in      58cm / 22.8in

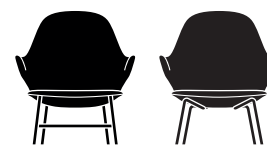
JH2                      JH2

58cm / 22.8in      58cm / 22.8in

JH15                      JH15

90cm / 35.4in  
 Armrest height:  
 68cm / 26.8in  
 Seating height:  
 45cm / 17.7in  
 Seating depth:  
 42cm / 16.5in

# Catch<sup>JH13 & JH14</sup> Jaime Hayon 2017



| Price group   | Upholstery  | Model | Base       | Lead time | Weight   | PRICE EX.<br>VAT (SEK) | PRICE INC.<br>VAT (SEK) |
|---------------|---|-------|------------|-----------|----------|------------------------|-------------------------|
| Fabric gr. 1  | Hot Madison, Remix, Re-Wool                           | JH13  | Flat Tube  | 6-8 weeks | 14.00 kg | 14.920                 | 18.650                  |
|               |   | JH14  | Round Tube | 6-8 weeks | 14.00 kg | 13.724                 | 17.155                  |
| Fabric gr. 2  | Canvas, Barnum, Fiord, Ritz                           | JH13  | Flat Tube  | 6-8 weeks | 14.00 kg | 16.112                 | 20.140                  |
|               |   | JH14  | Round Tube | 6-8 weeks | 14.00 kg | 14.920                 | 18.650                  |
| Fabric gr. 3  | Clay, Hallingdal, Steelcut Quartet, Steelcut Trio     | JH13  | Flat Tube  | 6-8 weeks | 14.00 kg | 16.712                 | 20.890                  |
|               |   | JH14  | Round Tube | 6-8 weeks | 14.00 kg | 15.516                 | 19.395                  |
| Fabric gr. 4  | Acca, Cifrado, Ecriture, Moss, Uniform Melange, Vidar | JH13  | Flat Tube  | 6-8 weeks | 14.00 kg | 18.500                 | 23.125                  |
|               |   | JH14  | Round Tube | 6-8 weeks | 14.00 kg | 17.308                 | 21.635                  |
| Fabric gr. 5  | Karakorum, Sisu                                       | JH13  | Flat Tube  | 6-8 weeks | 14.00 kg | 24.472                 | 30.590                  |
|               |   | JH14  | Round Tube | 6-8 weeks | 14.00 kg | 23.276                 | 29.095                  |
| Fabric gr. 6  | Fuse, Gentle  | JH13  | Flat Tube  | 6-8 weeks | 14.00 kg | 26.860                 | 33.575                  |
|               |   | JH14  | Round Tube | 6-8 weeks | 14.00 kg | 25.664                 | 32.080                  |
| Leather       | Tailor Semi-aniline leather                           | JH13  | Flat Tube  | 6-8 weeks | 14.00 kg | 19.696                 | 24.620                  |
|               |   | JH14  | Round Tube | 6-8 weeks | 14.00 kg | 18.500                 | 23.125                  |
| Leather       | Noble Aniline leather                                 | JH13  | Flat Tube  | 6-8 weeks | 14.00 kg | 23.276                 | 29.095                  |
|               |   | JH14  | Round Tube | 6-8 weeks | 14.00 kg | 22.084                 | 27.605                  |
| Leather       | Elmosoft Semi-aniline leather                         | JH13  | Flat Tube  | 6-8 weeks | 14.00 kg | 27.756                 | 34.695                  |
|               |   | JH14  | Round Tube | 6-8 weeks | 14.00 kg | 26.264                 | 32.830                  |
| Fabric<br>COM | COM Fabric  | JH13  | Flat Tube  | 6-8 weeks | 14.00 kg | 14.920                 | 18.650                  |
|               |   | JH14  | Round Tube | 6-8 weeks | 14.00 kg | 13.724                 | 17.155                  |

**Base**      **Finish**

|            |                          |
|------------|--------------------------|
| Flat Tube  | Warm Black Powder Coated |
| Round Tube | Warm Black Powder Coated |

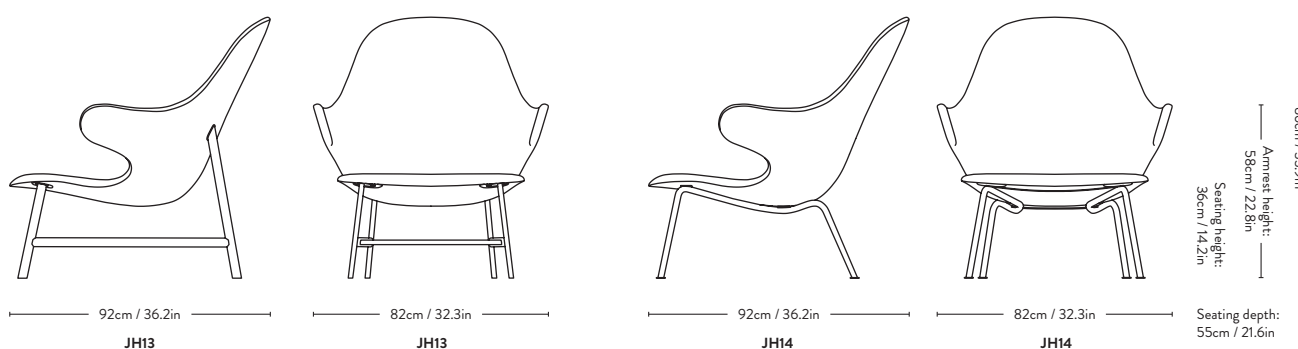
**Material:** Moulded PU foam and HR foam.

**Fabric usage:** 3 meters based on 140cm roll.

**Leather usage:** 6 square meters based on a yield of 60% pr hide.

COM must be approved by &Tradition to ensure suitability for upholstery.

Felt gliders installed as standard.



# Catch<sup>JH16 & JH17</sup> Jaime Hayon 2017



| Price group  | Upholstery  | Model | Base | Lead time | Weight   | PRICE EX. VAT (SEK) | PRICE INC. VAT (SEK) |
|--------------|---|-------|------|-----------|----------|---------------------|----------------------|
| Fabric gr. 1 | Hot Madison, Remix, Re-Wool                           | JH16  | Tube | 6-8 weeks | 11.20 kg | 8.828               | 11.035               |
|              |   | JH17  | Tube | 6-8 weeks | 11.50 kg | 8.828               | 11.035               |
| Fabric gr. 2 | Canvas, Barnum, Fiord, Ritz                           | JH16  | Tube | 6-8 weeks | 11.20 kg | 9.428               | 11.785               |
|              |   | JH17  | Tube | 6-8 weeks | 11.50 kg | 9.428               | 11.785               |
| Fabric gr. 3 | Clay, Hallingdal, Steelcut Quartet, Steelcut Trio     | JH16  | Tube | 6-8 weeks | 11.20 kg | 9.664               | 12.080               |
|              |   | JH17  | Tube | 6-8 weeks | 11.50 kg | 9.664               | 12.080               |
| Fabric gr. 4 | Acca, Cifrado, Ecriture, Moss, Uniform Melange, Vidar | JH16  | Tube | 6-8 weeks | 11.20 kg | 10.620              | 13.275               |
|              |   | JH17  | Tube | 6-8 weeks | 11.50 kg | 10.620              | 13.275               |
| Fabric gr. 5 | Karakorum, Sisu                                       | JH16  | Tube | 6-8 weeks | 11.20 kg | 12.172              | 15.215               |
|              |   | JH17  | Tube | 6-8 weeks | 11.50 kg | 12.172              | 15.215               |
| Fabric gr. 6 | Fuse, Gentle  | JH16  | Tube | 6-8 weeks | 11.20 kg | 13.724              | 17.155               |
|              |   | JH17  | Tube | 6-8 weeks | 11.50 kg | 13.724              | 17.155               |
| Leather      | Tailor Semi-aniline leather                           | JH16  | Tube | 6-8 weeks | 11.20 kg | 13.008              | 16.260               |
|              |   | JH17  | Tube | 6-8 weeks | 11.50 kg | 13.008              | 16.260               |
| Leather      | Noble Aniline leather                                 | JH16  | Tube | 6-8 weeks | 11.20 kg | 15.160              | 18.950               |
|              |   | JH17  | Tube | 6-8 weeks | 11.50 kg | 15.160              | 18.950               |
| Leather      | Elmosoft Semi-aniline leather                         | JH16  | Tube | 6-8 weeks | 11.20 kg | 16.948              | 21.185               |
|              |   | JH17  | Tube | 6-8 weeks | 11.50 kg | 16.948              | 21.185               |
| Fabric COM   | COM Fabric  | JH16  | Tube | 6-8 weeks | 11.20 kg | 8.828               | 11.035               |
|              |   | JH17  | Tube | 6-8 weeks | 11.50 kg | 8.828               | 11.035               |

**Base Finish**

Tube Powder Coated Black

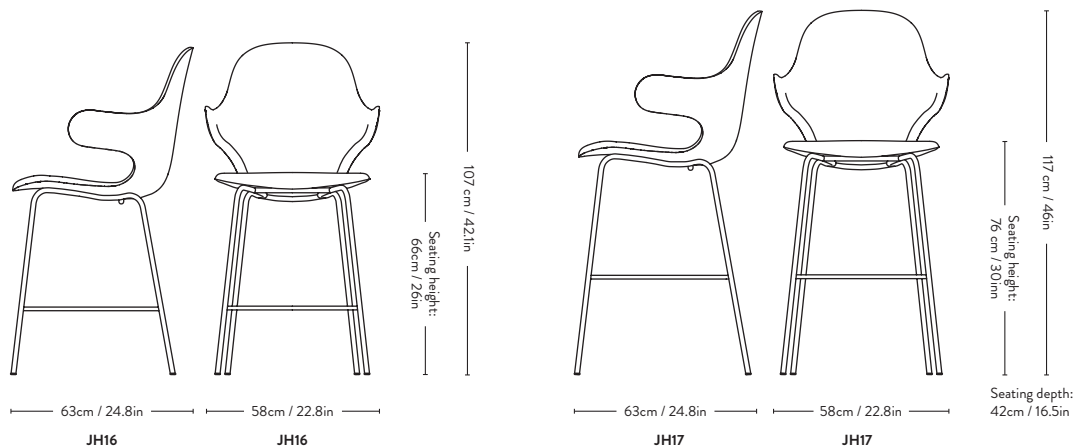
**Material:** Moulded PU foam and HR foam.

**Fabric usage:** 1.8 meters based on 140cm roll.

**Leather usage:** 5 square meters based on a yield of 60% pr hide.

COM must be approved by &Tradition to ensure suitability for upholstery.

Plastic gliders installed as standard.



# Elefy JH28

## Jaime Hayon

### 2019



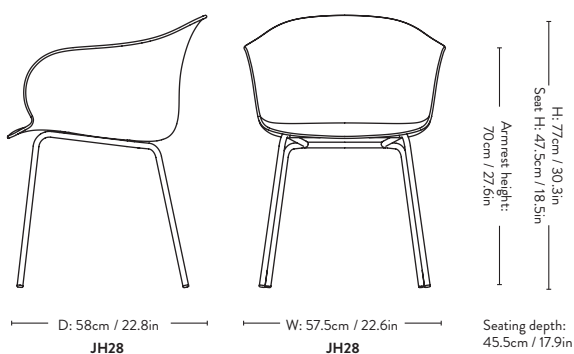
| Item code | Shell Colour  | Model | Base  | Lead time | Weight  | PRICE EX. VAT (SEK) | PRICE INC. VAT (SEK) |
|-----------|---------------|-------|-------|-----------|---------|---------------------|----------------------|
| JH        | Black         | JH28  | Black | 2-3 weeks | 7.80 kg | 2.384               | 2.980                |
| JH        | White         | JH28  | Black | 2-3 weeks | 7.80 kg | 2.384               | 2.980                |
| JH        | Soft Beige    | JH28  | Black | 2-3 weeks | 7.80 kg | 2.384               | 2.980                |
| JH        | Midnight Blue | JH28  | Black | 2-3 weeks | 7.80 kg | 2.384               | 2.980                |
| JH        | Copper Brown  | JH28  | Black | 2-3 weeks | 7.80 kg | 2.384               | 2.980                |

**Base**      **Finish**

Steel Tube      Black

**Material:** Polypropylene, steel tube.

Plastic gliders installed as standard.  
Felt gliders available upon request.



# Elefy JH29

## Jaime Hayon

### 2019



| Price group  | Upholstery  | Model | Base  | Lead time | Weight  | PRICE EX. VAT (SEK) | PRICE INC. VAT (SEK) |
|--------------|---|-------|-------|-----------|---------|---------------------|----------------------|
| Fabric gr. 1 | Hot Madison, Remix, Re-Wool                           | JH29  | Black | 3-6 weeks | 7.80 kg | 5.128               | 6.410                |
| Fabric gr. 2 | Canvas, Barnum, Fiord, Ritz                           | JH29  | Black | 3-6 weeks | 7.80 kg | 5.844               | 7.305                |
| Fabric gr. 3 | Clay, Hallingdal, Steelcut Quartet, Steelcut Trio     | JH29  | Black | 3-6 weeks | 7.80 kg | 6.084               | 7.605                |
| Fabric gr. 4 | Acca, Cifrado, Ecriture, Moss, Uniform Melange, Vidar | JH29  | Black | 3-6 weeks | 7.80 kg | 6.800               | 8.500                |
| Fabric gr. 5 | Karakorum, Sisu                                       | JH29  | Black | 3-6 weeks | 7.80 kg | 9.068               | 11.335               |
| Fabric gr. 6 | Fuse, Gentle  | JH29  | Black | 3-6 weeks | 7.80 kg | 9.904               | 12.380               |
| Leather      | Tailor Semi-aniline leather                           | JH29  | Black | 3-6 weeks | 7.80 kg | 8.592               | 10.740               |
| Leather      | Noble Aniline leather                                 | JH29  | Black | 3-6 weeks | 7.80 kg | 9.068               | 11.335               |
| Leather      | Elmosoft Semi-aniline leather                         | JH29  | Black | 3-6 weeks | 7.80 kg | 9.548               | 11.935               |
| Fabric COM   | COM Fabric  | JH29  | Black | 3-6 weeks | 7.80 kg | 5.128               | 6.410                |

**Base**      **Finish**

Steel Tube      Black

**Material:** Polypropylene, HR foam, steel tube, fabric or leather upholstery.

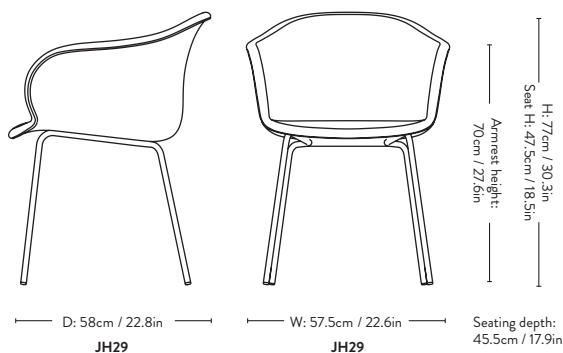
**Fabric usage:** 1.7 meters based on 140cm roll.

**Leather usage:** 3 square meters based on a yield of 60% pr hide.

COM must be approved by &Tradition to ensure suitability for upholstery.

Plastic gliders installed as standard.

Felt gliders available upon request.



# Elefy JH30

## Jaime Hayon

### 2019

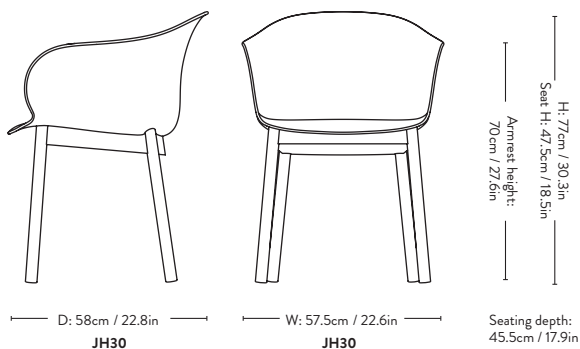


| Item code | Product       | Model | Base   | Lead time | Weight  | PRICE EX. VAT (SEK) | PRICE INC. VAT (SEK) |
|-----------|---------------|-------|--------|-----------|---------|---------------------|----------------------|
| JH        | Black         | JH30  | Oak    | 2-3 weeks | 8.80 kg | 3.336               | 4.170                |
|           |               | JH30  | Black  | 2-3 weeks | 8.80 kg | 3.336               | 4.170                |
|           |               | JH30  | Walnut | 2-3 weeks | 8.80 kg | 3.696               | 4.620                |
| JH        | White         | JH30  | Oak    | 2-3 weeks | 8.80 kg | 3.336               | 4.170                |
|           |               | JH30  | Black  | 2-3 weeks | 8.80 kg | 3.336               | 4.170                |
|           |               | JH30  | Walnut | 2-3 weeks | 8.80 kg | 3.696               | 4.620                |
| JH        | Soft Beige    | JH30  | Oak    | 2-3 weeks | 8.80 kg | 3.336               | 4.170                |
|           |               | JH30  | Black  | 2-3 weeks | 8.80 kg | 3.336               | 4.170                |
|           |               | JH30  | Walnut | 2-3 weeks | 8.80 kg | 3.696               | 4.620                |
| JH        | Midnight Blue | JH30  | Oak    | 2-3 weeks | 8.80 kg | 3.336               | 4.170                |
|           |               | JH30  | Black  | 2-3 weeks | 8.80 kg | 3.336               | 4.170                |
|           |               | JH30  | Walnut | 2-3 weeks | 8.80 kg | 3.696               | 4.620                |
| JH        | Copper Brown  | JH30  | Oak    | 2-3 weeks | 8.80 kg | 3.336               | 4.170                |
|           |               | JH30  | Black  | 2-3 weeks | 8.80 kg | 3.336               | 4.170                |
|           |               | JH30  | Walnut | 2-3 weeks | 8.80 kg | 3.696               | 4.620                |

| Base         | Finish                                   |
|--------------|--|
| Solid Oak    | Clear or Black water based Lacquered Oak |
| Solid Walnut | Water based lacquered Walnut             |

**Material:** Polypropylene, solid wood.

Felt gliders installed as standard.



# Elefy JH31

## Jaime Hayon

### 2019



| Price group  | Upholstery  | Model | Base   | Lead time | Weight  | PRICE EX. VAT (SEK) | PRICE INC. VAT (SEK) |
|--------------|---|-------|--------|-----------|---------|---------------------|----------------------|
| Fabric gr. 1 | Hot Madison, Remix, Re-Wool                           | JH31  | Black  | 3-6 weeks | 8.80 kg | 6.084               | 7.605                |
|              |   | JH31  | Oak    | 3-6 weeks | 8.80 kg | 6.084               | 7.605                |
|              |   | JH31  | Walnut | 3-6 weeks | 8.80 kg | 6.440               | 8.050                |
| Fabric gr. 2 | Canvas, Barnum, Fiord, Ritz                           | JH31  | Black  | 3-6 weeks | 8.80 kg | 6.800               | 8.500                |
|              |   | JH31  | Oak    | 3-6 weeks | 8.80 kg | 6.800               | 8.500                |
|              |   | JH31  | Walnut | 3-6 weeks | 8.80 kg | 7.160               | 8.950                |
| Fabric gr. 3 | Clay, Hallingdal, Steelcut Quartet, Steelcut Trio     | JH31  | Black  | 3-6 weeks | 8.80 kg | 6.920               | 8.650                |
|              |   | JH31  | Oak    | 3-6 weeks | 8.80 kg | 6.920               | 8.650                |
|              |   | JH31  | Walnut | 3-6 weeks | 8.80 kg | 7.276               | 9.095                |
| Fabric gr. 4 | Acca, Cifrado, Ecriture, Moss, Uniform Melange, Vidar | JH31  | Black  | 3-6 weeks | 8.80 kg | 7.756               | 9.695                |
|              |   | JH31  | Oak    | 3-6 weeks | 8.80 kg | 7.756               | 9.695                |
|              |   | JH31  | Walnut | 3-6 weeks | 8.80 kg | 8.112               | 10.140               |
| Fabric gr. 5 | Karakorum, Sisu                                       | JH31  | Black  | 3-6 weeks | 8.80 kg | 10.024              | 12.530               |
|              |   | JH31  | Oak    | 3-6 weeks | 8.80 kg | 10.024              | 12.530               |
|              |   | JH31  | Walnut | 3-6 weeks | 8.80 kg | 10.384              | 12.980               |
| Fabric gr. 6 | Fuse, Gentle  | JH31  | Black  | 3-6 weeks | 8.80 kg | 10.980              | 13.725               |
|              |   | JH31  | Oak    | 3-6 weeks | 8.80 kg | 10.980              | 13.725               |
|              |   | JH31  | Walnut | 3-6 weeks | 8.80 kg | 11.336              | 14.170               |
| Leather      | Tailor Semi-aniline leather                           | JH31  | Black  | 3-6 weeks | 8.80 kg | 9.548               | 11.935               |
|              |   | JH31  | Oak    | 3-6 weeks | 8.80 kg | 9.548               | 11.935               |
|              |   | JH31  | Walnut | 3-6 weeks | 8.80 kg | 9.904               | 12.380               |
| Leather      | Noble Aniline leather                                 | JH31  | Black  | 3-6 weeks | 8.80 kg | 10.024              | 12.530               |
|              |   | JH31  | Oak    | 3-6 weeks | 8.80 kg | 10.024              | 12.530               |
|              |   | JH31  | Walnut | 3-6 weeks | 8.80 kg | 10.384              | 12.980               |
| Leather      | Elmosoft Semi-aniline leather                         | JH31  | Black  | 3-6 weeks | 8.80 kg | 10.500              | 13.125               |
|              |   | JH31  | Oak    | 3-6 weeks | 8.80 kg | 10.500              | 13.125               |
|              |   | JH31  | Walnut | 3-6 weeks | 8.80 kg | 10.860              | 13.575               |
| Fabric COM   | COM Fabric  | JH31  | Black  | 3-6 weeks | 8.80 kg | 6.084               | 7.605                |
|              |   | JH31  | Oak    | 3-6 weeks | 8.80 kg | 6.084               | 7.605                |
|              |   | JH31  | Walnut | 3-6 weeks | 8.80 kg | 6.440               | 8.050                |

| Base         | Finish                                   |
|--------------|--|
| Solid Oak    | Clear or Black water based Lacquered Oak |
| Solid Walnut | Water based lacquered Walnut             |

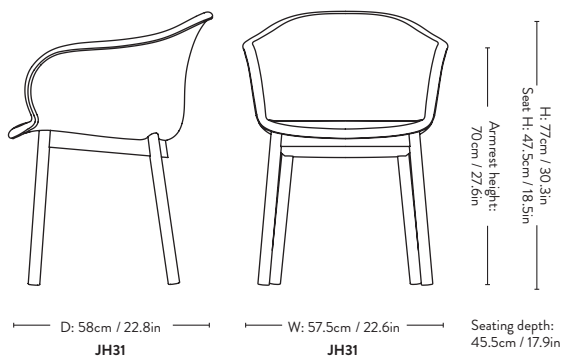
**Material:** Polypropylene, HR foam, solid wood, fabric or leather upholstery.

**Fabric usage:** 1.7 meters based on 140cm roll.

**Leather usage:** 3 square meters based on a yield of 60% pr hide.

COM must be approved by &Tradition to ensure suitability for upholstery.

Felt gliders installed as standard.



# Elefy JH32

## Jaime Hayon 2020

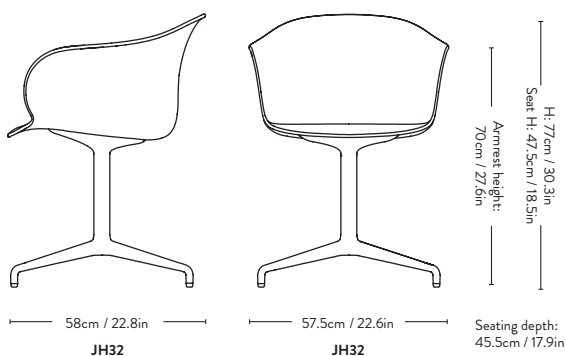


| Item code | Product       | Model | Base               | Lead time | Weight  | PRICE EX. VAT (SEK) | PRICE INC. VAT (SEK) |
|-----------|---------------|-------|--------------------|-----------|---------|---------------------|----------------------|
| JH        | Black         | JH32  | Black              | 2-3 weeks | 9.00 kg | 3.696               | 4.620                |
|           |               | JH32  | Polished Aluminium | 2-3 weeks | 9.00 kg | 3.696               | 4.620                |
| JH        | White         | JH32  | Black              | 2-3 weeks | 9.00 kg | 3.696               | 4.620                |
|           |               | JH32  | Polished Aluminium | 2-3 weeks | 9.00 kg | 3.696               | 4.620                |
| JH        | Soft Beige    | JH32  | Black              | 2-3 weeks | 9.00 kg | 3.696               | 4.620                |
|           |               | JH32  | Polished Aluminium | 2-3 weeks | 9.00 kg | 3.696               | 4.620                |
| JH        | Midnight Blue | JH32  | Black              | 2-3 weeks | 9.00 kg | 3.696               | 4.620                |
|           |               | JH32  | Polished Aluminium | 2-3 weeks | 9.00 kg | 3.696               | 4.620                |
| JH        | Copper Brown  | JH32  | Black              | 2-3 weeks | 9.00 kg | 3.696               | 4.620                |
|           |               | JH32  | Polished Aluminium | 2-3 weeks | 9.00 kg | 3.696               | 4.620                |

| Base   | Finish                    |
|--------|---------------------------|
| Swivel | Black, Polished Aluminium |

**Material:** Polypropylene and aluminium.

Plastic gliders installed as standard.  
Felt gliders are available upon request.





# Elefy JH33

## Jaime Hayon

### 2020



| Price group  | Upholstery  | Model | Base               | Lead time | Weight   | PRICE EX. VAT (SEK) | PRICE INC. VAT (SEK) |
|--------------|---|-------|--------------------|-----------|----------|---------------------|----------------------|
| Fabric gr. 1 | Hot Madison, Remix, Re-Wool                           | JH33  | Black              | 3-6 weeks | 10.70 kg | 6.324               | 7.905                |
|              |   | JH33  | Polished Aluminium | 3-6 weeks | 10.70 kg | 6.324               | 7.905                |
| Fabric gr. 2 | Canvas, Barnum, Fiord, Ritz                           | JH33  | Black              | 3-6 weeks | 10.70 kg | 7.040               | 8.800                |
|              |   | JH33  | Polished Aluminium | 3-6 weeks | 10.70 kg | 7.040               | 8.800                |
| Fabric gr. 3 | Clay, Hallingdal, Steelcut Quartet, Steelcut Trio     | JH33  | Black              | 3-6 weeks | 10.70 kg | 7.160               | 8.950                |
|              |   | JH33  | Polished Aluminium | 3-6 weeks | 10.70 kg | 7.160               | 8.950                |
| Fabric gr. 4 | Acca, Cifrado, Ecriture, Moss, Uniform Melange, Vidar | JH33  | Black              | 3-6 weeks | 10.70 kg | 7.996               | 9.995                |
|              |   | JH33  | Polished Aluminium | 3-6 weeks | 10.70 kg | 7.996               | 9.995                |
| Fabric gr. 5 | Karakorum, Sisu                                       | JH33  | Black              | 3-6 weeks | 10.70 kg | 10.264              | 12.830               |
|              |   | JH33  | Polished Aluminium | 3-6 weeks | 10.70 kg | 10.264              | 12.830               |
| Fabric gr. 6 | Fuse, Gentle  | JH33  | Black              | 3-6 weeks | 10.70 kg | 11.216              | 14.020               |
|              |   | JH33  | Polished Aluminium | 3-6 weeks | 10.70 kg | 11.216              | 14.020               |
| Leather      | Tailor Semi-aniline leather                           | JH33  | Black              | 3-6 weeks | 10.70 kg | 9.784               | 12.230               |
|              |   | JH33  | Polished Aluminium | 3-6 weeks | 10.70 kg | 9.784               | 12.230               |
| Leather      | Noble Aniline leather                                 | JH33  | Black              | 3-6 weeks | 10.70 kg | 10.264              | 12.830               |
|              |   | JH33  | Polished Aluminium | 3-6 weeks | 10.70 kg | 10.264              | 12.830               |
| Leather      | Elmosoft Semi-aniline leather                         | JH33  | Black              | 3-6 weeks | 10.70 kg | 10.740              | 13.425               |
|              |   | JH33  | Polished Aluminium | 3-6 weeks | 10.70 kg | 10.740              | 13.425               |
| Fabric COM   | COM Fabric  | JH33  | Black              | 3-6 weeks | 10.70 kg | 6.324               | 7.905                |
|              |   | JH33  | Polished Aluminium | 3-6 weeks | 10.70 kg | 6.324               | 7.905                |

| Base   | Finish                    |
|--------|---------------------------|
| Swivel | Black, Polished Aluminium |

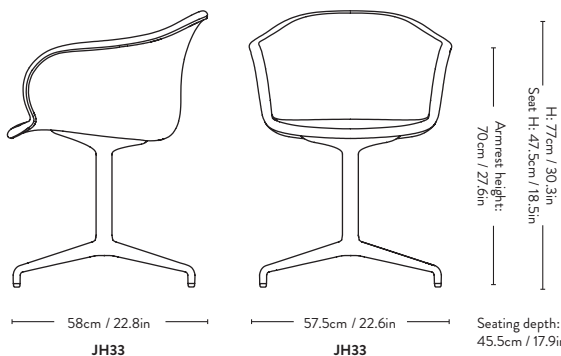
**Material:** Polypropylene, HR foam, aluminium swivel base, fabric or leather upholstery.

**Fabric usage:** 1.7 meters based on 140cm roll.

**Leather usage:** 3 square meters based on a yield of 60% pr hide.

COM must be approved by &Tradition to ensure suitability for upholstery.

Plastic gliders installed as standard.  
Felt gliders available upon request.



# Elefy JH34

## Jaime Hayon 2020

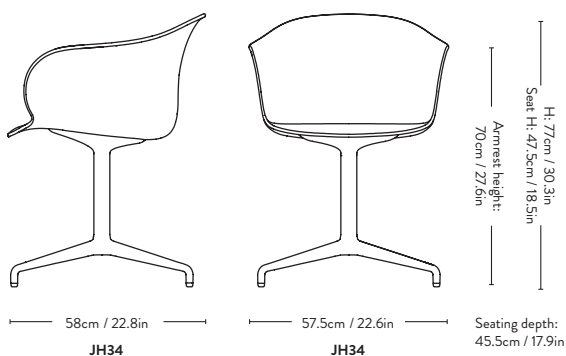


| Item code | Product       | Model | Base               | Lead time | Weight  | PRICE EX. VAT (SEK) | PRICE INC. VAT (SEK) |
|-----------|---------------|-------|--------------------|-----------|---------|---------------------|----------------------|
| JH        | Black         | JH34  | Black              | 2-3 weeks | 9.00 kg | 4.172               | 5.215                |
|           |               | JH34  | Polished Aluminium | 2-3 weeks | 9.00 kg | 4.172               | 5.215                |
| JH        | White         | JH34  | Black              | 2-3 weeks | 9.00 kg | 4.172               | 5.215                |
|           |               | JH34  | Polished Aluminium | 2-3 weeks | 9.00 kg | 4.172               | 5.215                |
| JH        | Soft Beige    | JH34  | Black              | 2-3 weeks | 9.00 kg | 4.172               | 5.215                |
|           |               | JH34  | Polished Aluminium | 2-3 weeks | 9.00 kg | 4.172               | 5.215                |
| JH        | Midnight Blue | JH34  | Black              | 2-3 weeks | 9.00 kg | 4.172               | 5.215                |
|           |               | JH34  | Polished Aluminium | 2-3 weeks | 9.00 kg | 4.172               | 5.215                |
| JH        | Copper Brown  | JH34  | Black              | 2-3 weeks | 9.00 kg | 4.172               | 5.215                |
|           |               | JH34  | Polished Aluminium | 2-3 weeks | 9.00 kg | 4.172               | 5.215                |

| Base   | Finish                    |
|--------|---------------------------|
| Swivel | Black, Polished Aluminium |

**Material:** Polypropylene and aluminium swivel base with return function.

Plastic gliders installed as standard.  
Felt gliders are available upon request.



# Elefy <sup>JH35</sup>

## Jaime Hayon 2020



| Price group  | Upholstery  | Model | Base               | Lead time | Weight   | PRICE EX. VAT (SEK) | PRICE INC. VAT (SEK) |
|--------------|---|-------|--------------------|-----------|----------|---------------------|----------------------|
| Fabric gr. 1 | Hot Madison, Remix, Re-Wool                           | JH35  | Black              | 3-6 weeks | 10.70 kg | 6.800               | 8.500                |
|              |   | JH35  | Polished Aluminium | 3-6 weeks | 10.70 kg | 6.800               | 8.500                |
| Fabric gr. 2 | Canvas, Barnum, Fiord, Ritz                           | JH35  | Black              | 3-6 weeks | 10.70 kg | 7.516               | 9.395                |
|              |   | JH35  | Polished Aluminium | 3-6 weeks | 10.70 kg | 7.516               | 9.395                |
| Fabric gr. 3 | Clay, Hallingdal, Steelcut Quartet, Steelcut Trio     | JH35  | Black              | 3-6 weeks | 10.70 kg | 7.516               | 9.395                |
|              |   | JH35  | Polished Aluminium | 3-6 weeks | 10.70 kg | 7.516               | 9.395                |
| Fabric gr. 4 | Acca, Cifrado, Ecriture, Moss, Uniform Melange, Vidar | JH35  | Black              | 3-6 weeks | 10.70 kg | 8.472               | 10.590               |
|              |   | JH35  | Polished Aluminium | 3-6 weeks | 10.70 kg | 8.472               | 10.590               |
| Fabric gr. 5 | Karakorum, Sisu                                       | JH35  | Black              | 3-6 weeks | 10.70 kg | 10.740              | 13.425               |
|              |   | JH35  | Polished Aluminium | 3-6 weeks | 10.70 kg | 10.740              | 13.425               |
| Fabric gr. 6 | Fuse, Gentle  | JH35  | Black              | 3-6 weeks | 10.70 kg | 11.696              | 14.620               |
|              |   | JH35  | Polished Aluminium | 3-6 weeks | 10.70 kg | 11.696              | 14.620               |
| Leather      | Tailor Semi-aniline leather                           | JH35  | Black              | 3-6 weeks | 10.70 kg | 10.264              | 12.830               |
|              |   | JH35  | Polished Aluminium | 3-6 weeks | 10.70 kg | 10.264              | 12.830               |
| Leather      | Noble Aniline leather                                 | JH35  | Black              | 3-6 weeks | 10.70 kg | 10.740              | 13.425               |
|              |   | JH35  | Polished Aluminium | 3-6 weeks | 10.70 kg | 10.740              | 13.425               |
| Leather      | Elmosoft Semi-aniline leather                         | JH35  | Black              | 3-6 weeks | 10.70 kg | 11.216              | 14.020               |
|              |   | JH35  | Polished Aluminium | 3-6 weeks | 10.70 kg | 11.216              | 14.020               |
| Fabric COM   | COM Fabric  | JH35  | Black              | 3-6 weeks | 10.70 kg | 6.800               | 8.500                |
|              |   | JH35  | Polished Aluminium | 3-6 weeks | 10.70 kg | 6.800               | 8.500                |

| Base   | Finish                    |
|--------|---------------------------|
| Swivel | Black, Polished Aluminium |

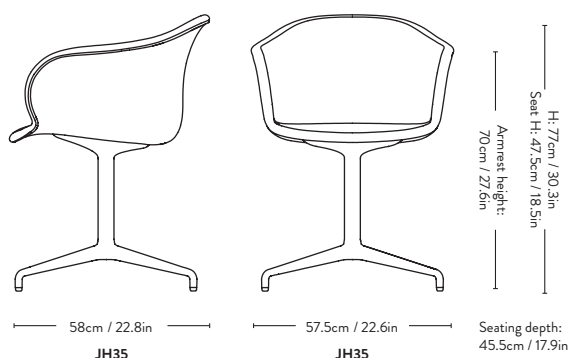
**Material:** Polypropylene, HR foam, aluminium swivel base, fabric or leather upholstery.

**Fabric usage:** 1.7 meters based on 140cm roll.

**Leather usage:** 3 square meters based on a yield of 60% pr hide.

COM must be approved by &Tradition to ensure suitability for upholstery.

Plastic gliders installed as standard.  
Felt gliders available upon request.



# Elefy JH36

## Jaime Hayon 2020



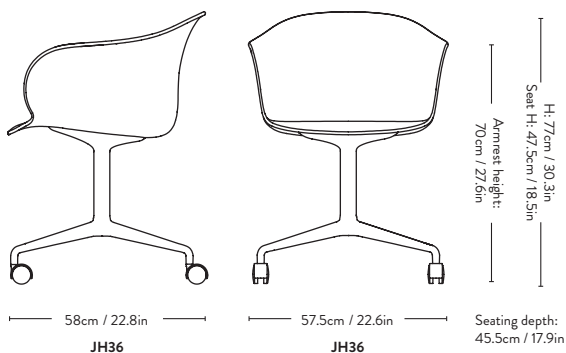
| Item code | Product       | Model | Base               | Lead time | Weight  | PRICE EX. VAT (SEK) | PRICE INC. VAT (SEK) |
|-----------|---------------|-------|--------------------|-----------|---------|---------------------|----------------------|
| JH        | Black         | JH36  | Black              | 2-3 weeks | 9.50 kg | 4.172               | 5.215                |
|           |               | JH36  | Polished Aluminium | 2-3 weeks | 9.50 kg | 4.172               | 5.215                |
| JH        | White         | JH36  | Black              | 2-3 weeks | 9.50 kg | 4.172               | 5.215                |
|           |               | JH36  | Polished Aluminium | 2-3 weeks | 9.50 kg | 4.172               | 5.215                |
| JH        | Soft Beige    | JH36  | Black              | 2-3 weeks | 9.50 kg | 4.172               | 5.215                |
|           |               | JH36  | Polished Aluminium | 2-3 weeks | 9.50 kg | 4.172               | 5.215                |
| JH        | Midnight Blue | JH36  | Black              | 2-3 weeks | 9.50 kg | 4.172               | 5.215                |
|           |               | JH36  | Polished Aluminium | 2-3 weeks | 9.50 kg | 4.172               | 5.215                |
| JH        | Copper Brown  | JH36  | Black              | 2-3 weeks | 9.50 kg | 4.172               | 5.215                |
|           |               | JH36  | Polished Aluminium | 2-3 weeks | 9.50 kg | 4.172               | 5.215                |

| Base   | Finish                    |
|--------|---------------------------|
| Swivel | Black, Polished Aluminium |

**Material:** Polypropylene and aluminium base with castors.

Castors in matching colour are installed as standard.

Suitable for all floor types.



# Elefy JH37

## Jaime Hayon 2020



| Price group  | Upholstery  | Model | Base               | Lead time | Weight   | PRICE EX. VAT (SEK) | PRICE INC. VAT (SEK) |
|--------------|---|-------|--------------------|-----------|----------|---------------------|----------------------|
| Fabric gr. 1 | Hot Madison, Remix, Re-Wool                           | JH37  | Black              | 3-6 weeks | 11.50 kg | 6.800               | 8.500                |
|              |   | JH37  | Polished Aluminium | 3-6 weeks | 11.50 kg | 6.800               | 8.500                |
| Fabric gr. 2 | Canvas, Barnum, Fiord, Ritz                           | JH37  | Black              | 3-6 weeks | 11.50 kg | 7.516               | 9.395                |
|              |   | JH37  | Polished Aluminium | 3-6 weeks | 11.50 kg | 7.516               | 9.395                |
| Fabric gr. 3 | Clay, Hallingdal, Steelcut Quartet, Steelcut Trio     | JH37  | Black              | 3-6 weeks | 11.50 kg | 7.636               | 9.545                |
|              |   | JH37  | Polished Aluminium | 3-6 weeks | 11.50 kg | 7.636               | 9.545                |
| Fabric gr. 4 | Acca, Cifrado, Ecriture, Moss, Uniform Melange, Vidar | JH37  | Black              | 3-6 weeks | 11.50 kg | 8.472               | 10.590               |
|              |   | JH37  | Polished Aluminium | 3-6 weeks | 11.50 kg | 8.472               | 10.590               |
| Fabric gr. 5 | Karakorum, Sisu                                       | JH37  | Black              | 3-6 weeks | 11.50 kg | 10.740              | 13.425               |
|              |   | JH37  | Polished Aluminium | 3-6 weeks | 11.50 kg | 10.740              | 13.425               |
| Fabric gr. 6 | Fuse, Gentle  | JH37  | Black              | 3-6 weeks | 11.50 kg | 11.696              | 14.620               |
|              |   | JH37  | Polished Aluminium | 3-6 weeks | 11.50 kg | 11.696              | 14.620               |
| Leather      | Tailor Semi-aniline leather                           | JH37  | Black              | 3-6 weeks | 11.50 kg | 10.264              | 12.830               |
|              |   | JH37  | Polished Aluminium | 3-6 weeks | 11.50 kg | 10.264              | 12.830               |
| Leather      | Noble Aniline leather                                 | JH37  | Black              | 3-6 weeks | 11.50 kg | 10.740              | 13.425               |
|              |   | JH37  | Polished Aluminium | 3-6 weeks | 11.50 kg | 10.740              | 13.425               |
| Leather      | Elmosoft Semi-aniline leather                         | JH37  | Black              | 3-6 weeks | 11.50 kg | 11.216              | 14.020               |
|              |   | JH37  | Polished Aluminium | 3-6 weeks | 11.50 kg | 11.216              | 14.020               |
| Fabric COM   | COM Fabric  | JH37  | Black              | 3-6 weeks | 11.50 kg | 6.800               | 8.500                |
|              |   | JH37  | Polished Aluminium | 3-6 weeks | 11.50 kg | 6.800               | 8.500                |

| Base   | Finish                    |
|--------|---------------------------|
| Swivel | Black, Polished Aluminium |

**Material:** Polypropylene, HR foam, aluminium base with castors, fabric or leather upholstery.

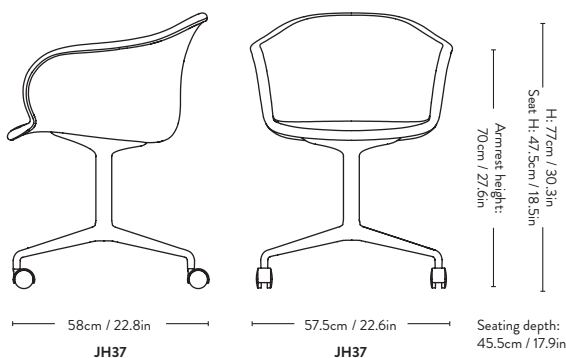
**Fabric usage:** 1.7 meters based on 140cm roll.

**Leather usage:** 3 square meters based on a yield of 60% pr hide.

COM must be approved by &Tradition to ensure suitability for upholstery.

Castors in matching colour are installed as standard.

Suitable for all floor types



# In Between <sup>SK1</sup> Sami Kallio 2013



| Item code | Product             | Model | Colli qty. | Lead time  | Weight  | PRICE EX. VAT (SEK) | PRICE INC. VAT (SEK) |
|-----------|---------------------|-------|------------|------------|---------|---------------------|----------------------|
| 82010100  | Smoked Oiled Oak    | SK1   | 2 pcs      | Stock item | 7.00 kg | 3.936               | 4.920                |
| 82010192  | Oiled Oak           | SK1   | 2 pcs      | Stock item | 7.00 kg | 3.936               | 4.920                |
| 82010194  | Black Lacquered Oak | SK1   | 2 pcs      | Stock item | 7.00 kg | 3.936               | 4.920                |
| 82010196  | Oiled Walnut        | SK1   | 2 pcs      | Stock item | 7.00 kg | 5.368               | 6.710                |

**Frame**      **Finish**

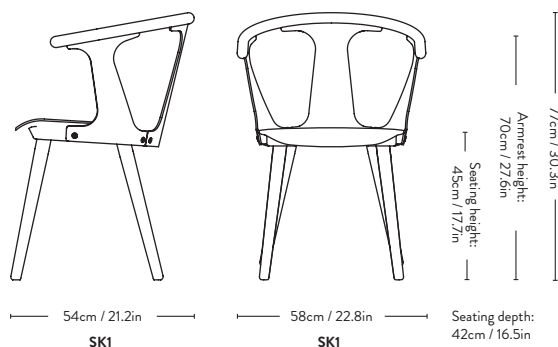
Oak              Oiled Oak, Smoked Oiled Oak, Black Lacquered Oak  
Walnut          Oiled Walnut

**Material:** Solid wood and formpressed veneer.

Felt gliders installed as standard.



EU Ecolabel certified, validating high standards of durability, circular design, and responsible use of chemicals. Please contact our sales team for a list of EU Ecolabel compliant combinations.



# In Between <sup>SK2</sup> Sami Kallio 2013



| Item code | Product  | Model | Colli qty. | Lead time  | Weight  | PRICE EX. VAT (SEK) | PRICE INC. VAT (SEK) |
|-----------|--|-------|------------|------------|---------|---------------------|----------------------|
| 82010310  | Oiled Oak w. Fiord 251                             | SK2   | 2 pcs      | Stock item | 7.00 kg | 4.772               | 5.965                |
| 82010312  | Black Lacquered Oak w. Fiord 191                   | SK2   | 2 pcs      | Stock item | 7.00 kg | 4.772               | 5.965                |
| 82010311  | Smoked Oiled Oak w. Fiord 171                      | SK2   | 2 pcs      | Stock item | 7.00 kg | 4.772               | 5.965                |
| 82010320  | Oiled Oak w. Noble Aniline Cognac Leather          | SK2   | 2 pcs      | Stock item | 7.00 kg | 5.844               | 7.305                |
| 82010325  | Black Lacquered Oak w. Noble Aniline Black Leather | SK2   | 2 pcs      | Stock item | 7.00 kg | 5.844               | 7.305                |
| 82010330  | Smoked Oiled Oak w. Noble Aniline Black Leather    | SK2   | 2 pcs      | Stock item | 7.00 kg | 5.844               | 7.305                |

| Price group  | Product   | Model | Base   | Lead time | Weight  | PRICE EX. VAT (SEK) | PRICE INC. VAT (SEK) |
|--------------|---|-------|--------|-----------|---------|---------------------|----------------------|
| Fabric gr. 1 | Hot Madison, Remix, Re-Wool                           | SK2   | Oak    | 6-8 weeks | 7.00 kg | 4.772               | 5.965                |
|              |   |       | Walnut | 6-8 weeks | 7.00 kg | 6.324               | 7.905                |
| Fabric gr. 2 | Canvas, Barnum, Fiord, Ritz                           | SK2   | Oak    | 6-8 weeks | 7.00 kg | 5.368               | 6.710                |
|              |   |       | Walnut | 6-8 weeks | 7.00 kg | 6.920               | 8.650                |
| Fabric gr. 3 | Clay, Hallingdal, Steelcut Quartet, Steelcut Trio     | SK2   | Oak    | 6-8 weeks | 7.00 kg | 5.488               | 6.860                |
|              |   |       | Walnut | 6-8 weeks | 7.00 kg | 7.040               | 8.800                |
| Fabric gr. 4 | Acca, Cifrado, Ecriture, Moss, Uniform Melange, Vidar | SK2   | Oak    | 6-8 weeks | 7.00 kg | 5.724               | 7.155                |
|              |   |       | Walnut | 6-8 weeks | 7.00 kg | 7.276               | 9.095                |
| Fabric gr. 5 | Karakorum, Sisu                                       | SK2   | Oak    | 6-8 weeks | 7.00 kg | 5.964               | 7.455                |
|              |   |       | Walnut | 6-8 weeks | 7.00 kg | 7.516               | 9.395                |
| Fabric gr. 6 | Fuse, Gentle  | SK2   | Oak    | 6-8 weeks | 7.00 kg | 6.560               | 8.200                |
|              |   |       | Walnut | 6-8 weeks | 7.00 kg | 8.232               | 10.290               |
| Leather      | Tailor Semi-aniline leather                           | SK2   | Oak    | 6-8 weeks | 7.00 kg | 5.724               | 7.155                |
|              |   |       | Walnut | 6-8 weeks | 7.00 kg | 7.276               | 9.095                |
| Leather      | Noble Aniline leather                                 | SK2   | Oak    | 6-8 weeks | 7.00 kg | 5.964               | 7.455                |
|              |   |       | Walnut | 6-8 weeks | 7.00 kg | 7.516               | 9.395                |
| Leather      | Elmosoft Semi-aniline leather                         | SK2   | Oak    | 6-8 weeks | 7.00 kg | 6.324               | 7.905                |
|              |   |       | Walnut | 6-8 weeks | 7.00 kg | 7.876               | 9.845                |
| Fabric COM   | COM Fabric  | SK2   | Oak    | 6-8 weeks | 7.00 kg | 4.772               | 5.965                |
|              |   |       | Walnut | 6-8 weeks | 7.00 kg | 6.324               | 7.905                |

### Frame Finish

|        |  |
|--------|--|
| Oak    | Oiled Oak, Smoked Oiled Oak, Black Lacquered Oak |
| Walnut | Oiled Walnut                                     |

**Material:** Solid wood, formpressed veneer and HR foam.

**Fabric usage:** 0.36 meter based on a 140 cm roll.

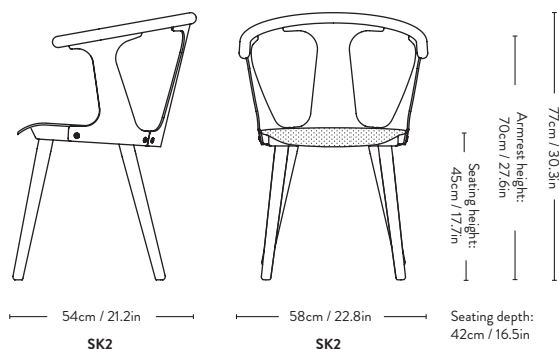
**Leather usage:** 0.36 square meters based on a yield of 60% pr hide.

COM must be approved by &Tradition to ensure suitability for upholstery.

Felt gliders installed as standard.



EU Ecolabel certified, validating high standards of durability, circular design, and responsible use of chemicals. Please contact our sales team for a list of EU Ecolabel compliant combinations.



# In Between SK7 & SK8

## Sami Kallio

### 2017



| Item code | Product             | Model | Colli qty. | Lead time  | Weight  | PRICE EX. VAT (SEK) | PRICE INC. VAT (SEK) |
|-----------|---------------------|-------|------------|------------|---------|---------------------|----------------------|
| 82030700  | Smoked Oiled Oak    | SK7   | 1 pc       | Stock item | 6.50 kg | 4.772               | 5.965                |
| 82030792  | Oiled Oak           | SK7   | 1 pc       | Stock item | 6.50 kg | 4.772               | 5.965                |
| 82030794  | Black Lacquered Oak | SK7   | 1 pc       | Stock item | 6.50 kg | 4.772               | 5.965                |

| Price group  | Upholstery  | Model | Lead time | Weight  | PRICE EX. VAT (SEK) | PRICE INC. VAT (SEK) |
|--------------|---|-------|-----------|---------|---------------------|----------------------|
| Fabric gr. 1 | Hot Madison, Remix, Re-Wool                           | SK8   | 6-8 weeks | 7.00 kg | 5.724               | 7.155                |
| Fabric gr. 2 | Canvas, Barnum, Fiord, Ritz                           | SK8   | 6-8 weeks | 7.00 kg | 6.204               | 7.755                |
| Fabric gr. 3 | Clay, Hallingdal, Steelcut Quartet, Steelcut Trio     | SK8   | 6-8 weeks | 7.00 kg | 6.264               | 7.830                |
| Fabric gr. 4 | Acca, Cifrado, Ecriture, Moss, Uniform Melange, Vidar | SK8   | 6-8 weeks | 7.00 kg | 6.324               | 7.905                |
| Fabric gr. 5 | Karakorum, Sisu                                       | SK8   | 6-8 weeks | 7.00 kg | 6.800               | 8.500                |
| Fabric gr. 6 | Fuse, Gentle  | SK8   | 6-8 weeks | 7.00 kg | 7.516               | 9.395                |
| Leather      | Tailor Semi-aniline leather                           | SK8   | 6-8 weeks | 7.00 kg | 6.560               | 8.200                |
| Leather      | Noble Aniline leather                                 | SK8   | 6-8 weeks | 7.00 kg | 6.800               | 8.500                |
| Leather      | Elmosoft Semi-aniline leather                         | SK8   | 6-8 weeks | 7.00 kg | 7.160               | 8.950                |
| Fabric COM   | COM Fabric  | SK8   | 6-8 weeks | 7.00 kg | 5.724               | 7.155                |



EU Ecolabel certified, validating high standards of durability, circular design, and responsible use of chemicals. Please contact our sales team for a list of EU Ecolabel compliant combinations.

| Frame | Finish   |
|-------|--|
| Wood  | Oiled Oak, Smoked Oiled Oak, Black Lacquered Oak |

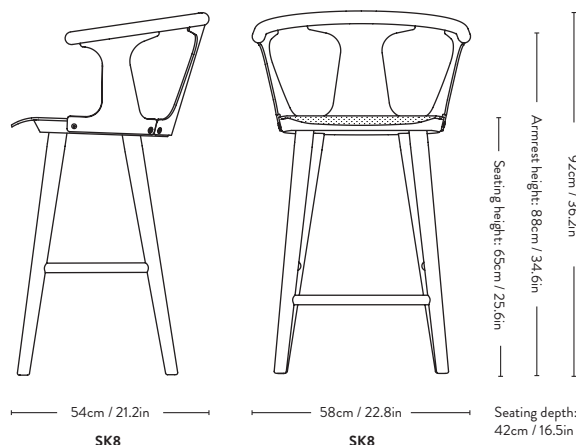
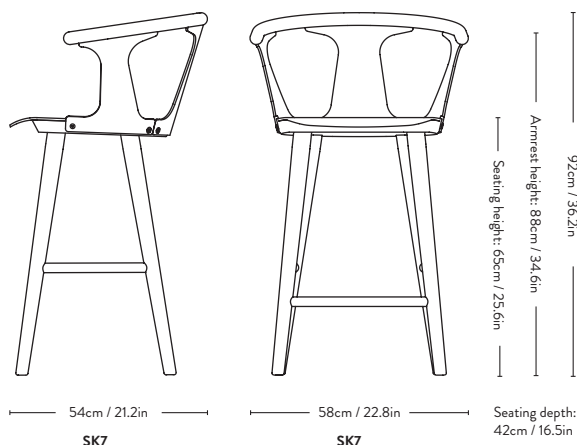
**Material:** Solid wood, formpressed veneer and HR foam.

**Fabric usage:** 0.36 meter based on a 140 cm roll.

**Leather usage:** 0.36 square meters based on a yield of 60% pr hide.

COM must be approved by &Tradition to ensure suitability for upholstery.

Felt gliders installed as standard.





# In Between <sup>SK9 & SK10</sup> Sami Kallio 2017



| Item code | Product             | Model | Colli qty. | Lead time  | Weight  | PRICE EX. VAT (SEK) | PRICE INC. VAT (SEK) |
|-----------|---------------------|-------|------------|------------|---------|---------------------|----------------------|
| 82030800  | Smoked Oiled Oak    | SK9   | 1 pc       | Stock item | 6.50 kg | 4.772               | 5.965                |
| 82030892  | Oiled Oak           | SK9   | 1 pc       | Stock item | 6.50 kg | 4.772               | 5.965                |
| 82030894  | Black Lacquered Oak | SK9   | 1 pc       | Stock item | 6.50 kg | 4.772               | 5.965                |

| Price group  | Upholstery  | Model | Lead time | Weight  | PRICE EX. VAT (SEK) | PRICE INC. VAT (SEK) |
|--------------|---|-------|-----------|---------|---------------------|----------------------|
| Fabric gr. 1 | Hot Madison, Remix, Re-Wool                           | SK10  | 6-8 weeks | 7.00 kg | 5.724               | 7.155                |
| Fabric gr. 2 | Canvas, Barnum, Fiord, Ritz                           | SK10  | 6-8 weeks | 7.00 kg | 6.204               | 7.755                |
| Fabric gr. 3 | Clay, Hallingdal, Steelcut Quartet, Steelcut Trio     | SK10  | 6-8 weeks | 7.00 kg | 6.264               | 7.830                |
| Fabric gr. 4 | Acca, Cifrado, Ecriture, Moss, Uniform Melange, Vidar | SK10  | 6-8 weeks | 7.00 kg | 6.324               | 7.905                |
| Fabric gr. 5 | Karakorum, Sisu                                       | SK10  | 6-8 weeks | 7.00 kg | 6.800               | 8.500                |
| Fabric gr. 6 | Fuse, Gentle  | SK10  | 6-8 weeks | 7.00 kg | 7.516               | 9.395                |
| Leather      | Tailor Semi-aniline leather                           | SK10  | 6-8 weeks | 7.00 kg | 6.560               | 8.200                |
| Leather      | Noble Aniline leather                                 | SK10  | 6-8 weeks | 7.00 kg | 6.800               | 8.500                |
| Leather      | Elmosoft Semi-aniline leather                         | SK10  | 6-8 weeks | 7.00 kg | 7.160               | 8.950                |
| Fabric COM   | COM Fabric  | SK10  | 6-8 weeks | 7.00 kg | 5.724               | 7.155                |



EU Ecolabel certified, validating high standards of durability, circular design, and responsible use of chemicals. Please contact our sales team for a list of EU Ecolabel compliant combinations.

| Frame | Finish   |
|-------|--|
| Wood  | Oiled Oak, Smoked Oiled Oak, Black Lacquered Oak |

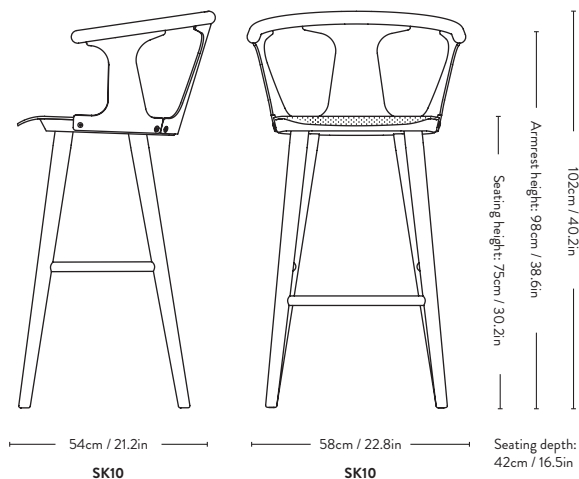
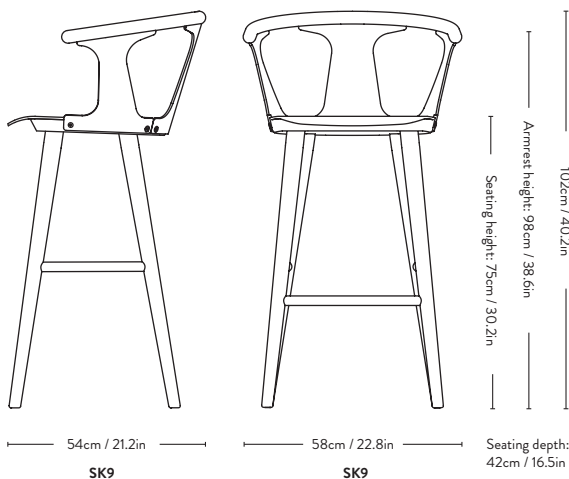
**Material:** Solid wood, formpressed veneer and HR foam.

**Fabric usage:** 0.36 meter based on a 140 cm roll.

**Leather usage:** 0.36 square meters based on a yield of 60% pr hide.

COM must be approved by &Tradition to ensure suitability for upholstery.

Felt gliders installed as standard.



# Pavilion AV1 & AV2 Anderssen & Voll 2018



| Item code | Product          | Model | Base   | Colli qty. | Lead time  | Weight  | PRICE EX. VAT (SEK) | PRICE INC. VAT (SEK) |
|-----------|------------------|-------|--------|------------|------------|---------|---------------------|----------------------|
| 50010092  | Oak              | AV1   | Black  | 2 pcs      | Stock item | 7.50 kg | 2.740               | 3.425                |
| 50010094  | Black Oak        | AV1   | Black  | 2 pcs      | Stock item | 7.50 kg | 2.740               | 3.425                |
| 50010096  | Walnut           | AV1   | Black  | 2 pcs      | Stock item | 7.50 kg | 2.860               | 3.575                |
| 50010193  | Oak or Black Oak | AV1   | Chrome | 2 pcs      | 6-8 weeks  | 7.50 kg | 2.980               | 3.725                |
| 50010197  | Walnut           | AV1   | Chrome | 2 pcs      | 6-8 weeks  | 7.50 kg | 3.100               | 3.875                |
| 50020092  | Oak              | AV2   | Black  | 2 pcs      | Stock item | 8.50 kg | 3.336               | 4.170                |
| 50020094  | Black Oak        | AV2   | Black  | 2 pcs      | Stock item | 8.50 kg | 3.336               | 4.170                |
| 50020096  | Walnut           | AV2   | Black  | 2 pcs      | Stock item | 8.50 kg | 3.456               | 4.320                |
| 50021192  | Oak or Black Oak | AV2   | Chrome | 2 pcs      | 6-8 weeks  | 8.50 kg | 3.696               | 4.620                |
| 50021196  | Walnut           | AV2   | Chrome | 2 pcs      | 6-8 weeks  | 8.50 kg | 3.816               | 4.770                |

| Item code | Product  | Lead time  | Weight   | PRICE EX. VAT (SEK) | PRICE INC. VAT (SEK) |
|-----------|--|------------|----------|---------------------|----------------------|
| 50099990  | Pavilion Stacking Trolley                                      | Stock item | 20.00 kg | 9.548               | 11.935               |
| 50010001  | Pavilion chair hanger<br>*can only be used for AV1, AV3 & AV12 | 6-8 weeks  |          | 232                 | 290                  |



EU Ecolabel certified, validating high standards of durability, circular design, and responsible use of chemicals. Please contact our sales team for a list of EU Ecolabel compliant combinations.

| Frame  | Seat & back  |
|--------|--|
| Black  | Water based Lacquered Oak, Black Water Based Lacquered Oak, Water based Lacquered Walnut |
| Chrome | Water based Lacquered Oak, Black Water Based Lacquered Oak, Water based Lacquered Walnut |

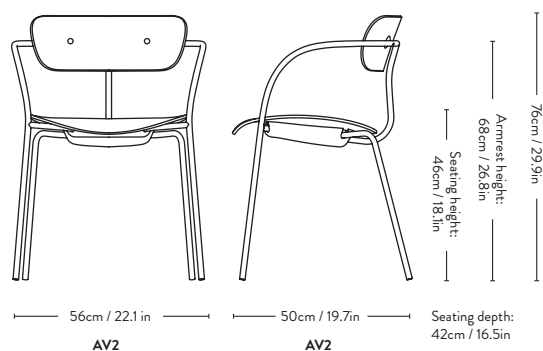
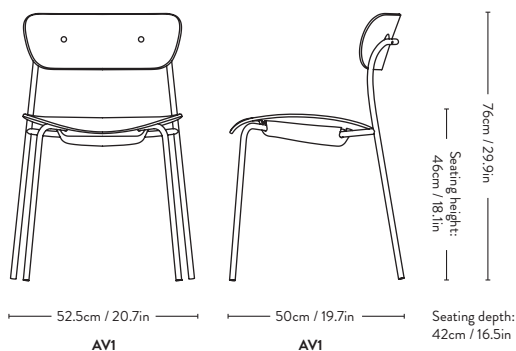
**Material:** Steel tubes and formpressed veneer.

Plastic gliders installed as standard.  
Felt gliders available upon request (6-8 weeks lead time).

Black base: Black fittings for the front side of the back rest installed as standard. Brass & Chrome fittings available upon request.

Chrome base: Chrome fittings for the front side of the back rest installed as standard. Brass & Black fittings available upon request.

Stackable chair.  
With trolley: 12 pcs / Without trolley: 10 pcs



# Pavilion <sup>AV3</sup> Anderssen & Voll 2018



| Price group  | Upholstery  | Model | Base   | Finish       | Lead time | Weight  | PRICE EX. VAT (SEK) | PRICE INC. VAT (SEK) |
|--------------|---|-------|--------|--------------|-----------|---------|---------------------|----------------------|
| Fabric gr. 1 | Hot Madison, Remix, Re-Wool                           | AV3   | Black  | Black or Oak | 6-8 weeks | 8.00 kg | 3.576               | 4.470                |
|              |   | AV3   | Black  | Walnut       | 6-8 weeks | 8.00 kg | 3.816               | 4.770                |
|              |   | AV3   | Chrome | Black or Oak | 6-8 weeks | 8.00 kg | 3.936               | 4.920                |
|              |   | AV3   | Chrome | Walnut       | 6-8 weeks | 8.00 kg | 3.696               | 4.620                |
| Fabric gr. 2 | Canvas, Barnum, Fiord, Ritz                           | AV3   | Black  | Black or Oak | 6-8 weeks | 8.00 kg | 4.172               | 5.215                |
|              |   | AV3   | Black  | Walnut       | 6-8 weeks | 8.00 kg | 4.412               | 5.515                |
|              |   | AV3   | Chrome | Black or Oak | 6-8 weeks | 8.00 kg | 4.532               | 5.665                |
|              |   | AV3   | Chrome | Walnut       | 6-8 weeks | 8.00 kg | 4.292               | 5.365                |
| Fabric gr. 3 | Clay, Hallingdal, Steelcut Quartet, Steelcut Trio     | AV3   | Black  | Black or Oak | 6-8 weeks | 8.00 kg | 4.232               | 5.290                |
|              |   | AV3   | Black  | Walnut       | 6-8 weeks | 8.00 kg | 4.472               | 5.590                |
|              |   | AV3   | Chrome | Black or Oak | 6-8 weeks | 8.00 kg | 4.592               | 5.740                |
|              |   | AV3   | Chrome | Walnut       | 6-8 weeks | 8.00 kg | 4.352               | 5.440                |
| Fabric gr. 4 | Acca, Cifrado, Ecriture, Moss, Uniform Melange, Vidar | AV3   | Black  | Black or Oak | 6-8 weeks | 8.00 kg | 4.292               | 5.365                |
|              |   | AV3   | Black  | Walnut       | 6-8 weeks | 8.00 kg | 4.532               | 5.665                |
|              |   | AV3   | Chrome | Black or Oak | 6-8 weeks | 8.00 kg | 4.652               | 5.815                |
|              |   | AV3   | Chrome | Walnut       | 6-8 weeks | 8.00 kg | 4.412               | 5.515                |
| Fabric gr. 5 | Karakorum, Sisu                                       | AV3   | Black  | Black or Oak | 6-8 weeks | 8.00 kg | 4.772               | 5.965                |
|              |   | AV3   | Black  | Walnut       | 6-8 weeks | 8.00 kg | 5.008               | 6.260                |
|              |   | AV3   | Chrome | Black or Oak | 6-8 weeks | 8.00 kg | 5.128               | 6.410                |
|              |   | AV3   | Chrome | Walnut       | 6-8 weeks | 8.00 kg | 4.888               | 6.110                |
| Fabric gr. 6 | Fuse, Gentle  | AV3   | Black  | Black or Oak | 6-8 weeks | 8.00 kg | 5.248               | 6.560                |
|              |   | AV3   | Black  | Walnut       | 6-8 weeks | 8.00 kg | 5.488               | 6.860                |
|              |   | AV3   | Chrome | Black or Oak | 6-8 weeks | 8.00 kg | 5.604               | 7.005                |
|              |   | AV3   | Chrome | Walnut       | 6-8 weeks | 8.00 kg | 5.368               | 6.710                |



# Pavilion <sup>AV3</sup> Anderssen & Voll 2018



| Item code  | Upholstery                    | Model | Base   | Finish       | Lead time | Weight  | PRICE EX. VAT (SEK) | PRICE INC. VAT (SEK) |
|------------|-------------------------------|-------|--------|--------------|-----------|---------|---------------------|----------------------|
| Leather    | Tailor Semi-aniline leather   | AV3   | Black  | Black or Oak | 6-8 weeks | 8.00 kg | 4.532               | 5.665                |
|            |                               | AV3   | Black  | Walnut       | 6-8 weeks | 8.00 kg | 4.772               | 5.965                |
|            |                               | AV3   | Chrome | Black or Oak | 6-8 weeks | 8.00 kg | 4.888               | 6.110                |
|            |                               | AV3   | Chrome | Walnut       | 6-8 weeks | 8.00 kg | 4.652               | 5.815                |
| Leather    | Noble Aniline leather         | AV3   | Black  | Black or Oak | 6-8 weeks | 8.00 kg | 4.772               | 5.965                |
|            |                               | AV3   | Black  | Walnut       | 6-8 weeks | 8.00 kg | 5.008               | 6.260                |
|            |                               | AV3   | Chrome | Black or Oak | 6-8 weeks | 8.00 kg | 5.128               | 6.410                |
|            |                               | AV3   | Chrome | Walnut       | 6-8 weeks | 8.00 kg | 4.888               | 6.110                |
| Leather    | Elmosoft Semi-aniline leather | AV3   | Black  | Black or Oak | 6-8 weeks | 8.00 kg | 5.128               | 6.410                |
|            |                               | AV3   | Black  | Walnut       | 6-8 weeks | 8.00 kg | 5.368               | 6.710                |
|            |                               | AV3   | Chrome | Black or Oak | 6-8 weeks | 8.00 kg | 5.488               | 6.860                |
|            |                               | AV3   | Chrome | Walnut       | 6-8 weeks | 8.00 kg | 5.248               | 6.560                |
| Fabric COM | COM Fabric                    | AV3   | Black  | Black or Oak | 6-8 weeks | 8.00 kg | 3.576               | 4.470                |
|            |                               | AV3   | Black  | Walnut       | 6-8 weeks | 8.00 kg | 3.816               | 4.770                |
|            |                               | AV3   | Chrome | Black or Oak | 6-8 weeks | 8.00 kg | 3.936               | 4.920                |
|            |                               | AV3   | Chrome | Walnut       | 6-8 weeks | 8.00 kg | 3.696               | 4.620                |

| Item code | Product  | Lead time  | Weight   | PRICE EX. VAT (SEK) | PRICE INC. VAT (SEK) |
|-----------|--|------------|----------|---------------------|----------------------|
| 50099990  | Pavilion Stacking Trolley                                      | Stock item | 20.00 kg | 9.548               | 11.935               |
| 50010001  | Pavilion chair hanger<br>*can only be used for AV1, AV3 & AV12 | 6-8 weeks  |          | 232                 | 290                  |



EU Ecolabel certified, validating high standards of durability, circular design, and responsible use of chemicals. Please contact our sales team for a list of EU Ecolabel compliant combinations.

EU Ecolabel : DK/049/002

| Frame  | Back   |
|--------|--|
| Black  | Water based Lacquered Oak, Black Water Based Lacquered Oak, Water based Lacquered Walnut |
| Chrome | Water based Lacquered Oak, Black Water Based Lacquered Oak, Water based Lacquered Walnut |

**Material:** Steel tubes, formpressed veneer, HR foam, fabric or leather upholstery.

**Fabric usage:** 0.45 meters based on 140cm roll.

**Leather usage:** 0.55 square meters based on a yield of 60% pr hide.

COM must be approved by &Tradition to ensure suitability for upholstery.

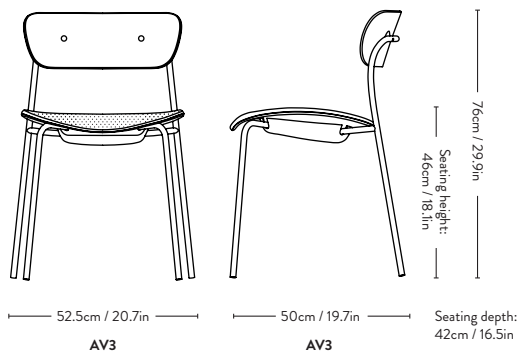
Plastic gliders installed as standard. Felt gliders available upon request.

Black base: Black fittings for the front side of the back rest installed as standard. Brass & Chrome fittings available upon request.

Chrome base: Chrome fittings for the front side of the back rest installed as standard. Brass & Black fittings available upon request.

Stackable chair.

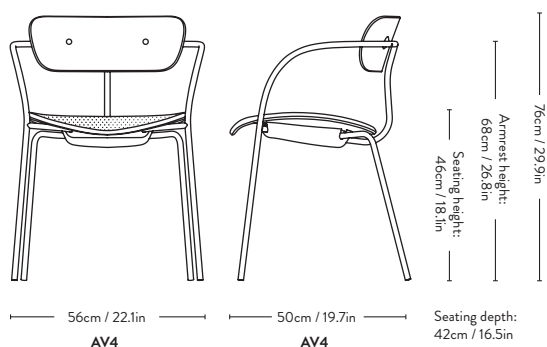
With trolley: 10 pcs / Without trolley: 8 pcs



# Pavilion <sup>AV4</sup> Anderssen & Voll 2018



| Price group  | Upholstery  | Model | Base   | Finish       | Lead time | Weight  | PRICE EX. VAT (SEK) | PRICE INC. VAT (SEK) |
|--------------|---|-------|--------|--------------|-----------|---------|---------------------|----------------------|
| Fabric gr. 1 | Hot Madison, Remix, Re-Wool                           | AV4   | Black  | Black or Oak | 6-8 weeks | 9.00 kg | 4.172               | 5.215                |
|              |   | AV4   | Black  | Walnut       | 6-8 weeks | 9.00 kg | 4.292               | 5.365                |
|              |   | AV4   | Chrome | Black or Oak | 6-8 weeks | 9.00 kg | 4.532               | 5.665                |
|              |   | AV4   | Chrome | Walnut       | 6-8 weeks | 9.00 kg | 4.652               | 5.815                |
| Fabric gr. 2 | Canvas, Barnum, Fiord, Ritz                           | AV4   | Black  | Black or Oak | 6-8 weeks | 9.00 kg | 4.772               | 5.965                |
|              |   | AV4   | Black  | Walnut       | 6-8 weeks | 9.00 kg | 4.888               | 6.110                |
|              |   | AV4   | Chrome | Black or Oak | 6-8 weeks | 9.00 kg | 5.128               | 6.410                |
|              |   | AV4   | Chrome | Walnut       | 6-8 weeks | 9.00 kg | 5.248               | 6.560                |
| Fabric gr. 3 | Clay, Hallingdal, Steelcut Quartet, Steelcut Trio     | AV4   | Black  | Black or Oak | 6-8 weeks | 9.00 kg | 4.828               | 6.035                |
|              |   | AV4   | Black  | Walnut       | 6-8 weeks | 9.00 kg | 4.948               | 6.185                |
|              |   | AV4   | Chrome | Black or Oak | 6-8 weeks | 9.00 kg | 5.188               | 6.485                |
|              |   | AV4   | Chrome | Walnut       | 6-8 weeks | 9.00 kg | 5.308               | 6.635                |
| Fabric gr. 4 | Acca, Cifrado, Ecriture, Moss, Uniform Melange, Vidar | AV4   | Black  | Black or Oak | 6-8 weeks | 9.00 kg | 4.888               | 6.110                |
|              |   | AV4   | Black  | Walnut       | 6-8 weeks | 9.00 kg | 5.008               | 6.260                |
|              |   | AV4   | Chrome | Black or Oak | 6-8 weeks | 9.00 kg | 5.248               | 6.560                |
|              |   | AV4   | Chrome | Walnut       | 6-8 weeks | 9.00 kg | 5.368               | 6.710                |
| Fabric gr. 5 | Karakorum, Sisu                                       | AV4   | Black  | Black or Oak | 6-8 weeks | 9.00 kg | 5.368               | 6.710                |
|              |   | AV4   | Black  | Walnut       | 6-8 weeks | 9.00 kg | 5.488               | 6.860                |
|              |   | AV4   | Chrome | Black or Oak | 6-8 weeks | 9.00 kg | 5.724               | 7.155                |
|              |   | AV4   | Chrome | Walnut       | 6-8 weeks | 9.00 kg | 5.844               | 7.305                |
| Fabric gr. 6 | Fuse, Gentle  | AV4   | Black  | Black or Oak | 6-8 weeks | 9.00 kg | 5.844               | 7.305                |
|              |   | AV4   | Black  | Walnut       | 6-8 weeks | 9.00 kg | 5.964               | 7.455                |
|              |   | AV4   | Chrome | Black or Oak | 6-8 weeks | 9.00 kg | 6.324               | 7.905                |
|              |   | AV4   | Chrome | Walnut       | 6-8 weeks | 9.00 kg | 6.440               | 8.050                |



# Pavilion AV4 Anderssen & Voll 2018



| Item code     | Upholstery                    | Model | Base   | Finish       | Lead time | Weight  | PRICE EX. VAT (SEK) | PRICE INC. VAT (SEK) |
|---------------|-------------------------------|-------|--------|--------------|-----------|---------|---------------------|----------------------|
| Leather       | Tailor Semi-aniline leather   | AV4   | Black  | Black or Oak | 6-8 weeks | 9.00 kg | 5.128               | 6.410                |
|               |                               | AV4   | Black  | Walnut       | 6-8 weeks | 9.00 kg | 5.248               | 6.560                |
|               |                               | AV4   | Chrome | Black or Oak | 6-8 weeks | 9.00 kg | 5.488               | 6.860                |
|               |                               | AV4   | Chrome | Walnut       | 6-8 weeks | 9.00 kg | 5.604               | 7.005                |
| Leather       | Noble Aniline leather         | AV4   | Black  | Black or Oak | 6-8 weeks | 9.00 kg | 5.368               | 6.710                |
|               |                               | AV4   | Black  | Walnut       | 6-8 weeks | 9.00 kg | 5.488               | 6.860                |
|               |                               | AV4   | Chrome | Black or Oak | 6-8 weeks | 9.00 kg | 5.724               | 7.155                |
|               |                               | AV4   | Chrome | Walnut       | 6-8 weeks | 9.00 kg | 5.844               | 7.305                |
| Leather       | Elmosoft Semi-aniline leather | AV4   | Black  | Black or Oak | 6-8 weeks | 9.00 kg | 5.724               | 7.155                |
|               |                               | AV4   | Black  | Walnut       | 6-8 weeks | 9.00 kg | 5.844               | 7.305                |
|               |                               | AV4   | Chrome | Black or Oak | 6-8 weeks | 9.00 kg | 6.084               | 7.605                |
|               |                               | AV4   | Chrome | Walnut       | 6-8 weeks | 9.00 kg | 6.204               | 7.755                |
| Fabric<br>COM | COM Fabric                    | AV4   | Black  | Black or Oak | 6-8 weeks | 9.00 kg | 4.172               | 5.215                |
|               |                               | AV4   | Black  | Walnut       | 6-8 weeks | 9.00 kg | 4.292               | 5.365                |
|               |                               | AV4   | Chrome | Black or Oak | 6-8 weeks | 9.00 kg | 4.532               | 5.665                |
|               |                               | AV4   | Chrome | Walnut       | 6-8 weeks | 9.00 kg | 4.652               | 5.815                |

| Item code | Product                   | Lead time  | Weight   | PRICE EX. VAT (SEK) | PRICE INC. VAT (SEK) |
|-----------|---------------------------|------------|----------|---------------------|----------------------|
| 50099990  | Pavilion Stacking Trolley | Stock item | 20.00 kg | 9.548               | 11.935               |



EU Ecolabel certified, validating high standards of durability, circular design, and responsible use of chemicals. Please contact our sales team for a list of EU Ecolabel compliant combinations.

| Frame  | Back   |
|--------|--|
| Black  | Water based Lacquered Oak, Black Water Based Lacquered Oak, Water based Lacquered Walnut |
| Chrome | Water based Lacquered Oak, Black Water Based Lacquered Oak, Water based Lacquered Walnut |

**Material:** Steel tubes, formpressed veneer, HR foam, fabric or leather upholstery.

**Fabric usage:** 0.45 meters based on 140cm roll.

**Leather usage:** 0.55 square meters based on a yield of 60% pr hide.

COM must be approved by &Tradition to ensure suitability for upholstery.

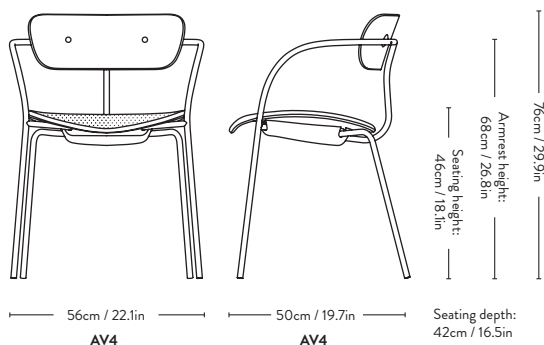
Plastic gliders installed as standard. Felt gliders available upon request.

Black base: Black fittings for the front side of the back rest installed as standard. Brass & Chrome fittings available upon request.

Chrome base: Chrome fittings for the front side of the back rest installed as standard. Brass & Black fittings available upon request.

Stackable chair.

With trolley: 10 pcs / Without trolley: 8 pcs



# Pavilion AV12

## Anderssen & Voll

### 2019



| Price group  | Upholstery  | Model | Base   | Lead time | Weight  | PRICE EX. VAT (SEK) | PRICE INC. VAT (SEK) |
|--------------|---|-------|--------|-----------|---------|---------------------|----------------------|
| Fabric gr. 1 | Hot Madison, Remix, Re-Wool                           | AV12  | Black  | 6-8 weeks | 9.00 kg | 4.532               | 5.665                |
|              |   | AV12  | Chrome | 6-8 weeks | 9.00 kg | 4.772               | 5.965                |
| Fabric gr. 2 | Canvas, Barnum, Fiord, Ritz                           | AV12  | Black  | 6-8 weeks | 9.00 kg | 5.724               | 7.155                |
|              |   | AV12  | Chrome | 6-8 weeks | 9.00 kg | 5.964               | 7.455                |
| Fabric gr. 3 | Clay, Hallingdal, Steelcut Quartet, Steelcut Trio     | AV12  | Black  | 6-8 weeks | 9.00 kg | 5.844               | 7.305                |
|              |   | AV12  | Chrome | 6-8 weeks | 9.00 kg | 6.084               | 7.605                |
| Fabric gr. 4 | Acca, Cifrado, Ecriture, Moss, Uniform Melange, Vidar | AV12  | Black  | 6-8 weeks | 9.00 kg | 5.964               | 7.455                |
|              |   | AV12  | Chrome | 6-8 weeks | 9.00 kg | 6.204               | 7.755                |
| Fabric gr. 5 | Karakorum, Sisu                                       | AV12  | Black  | 6-8 weeks | 9.00 kg | 6.920               | 8.650                |
|              |   | AV12  | Chrome | 6-8 weeks | 9.00 kg | 7.160               | 8.950                |
| Fabric gr. 6 | Fuse, Gentle  | AV12  | Black  | 6-8 weeks | 9.00 kg | 7.756               | 9.695                |
|              |   | AV12  | Chrome | 6-8 weeks | 9.00 kg | 7.876               | 9.845                |
| Fabric COM   | COM Fabric  | AV12  | Black  | 6-8 weeks | 9.00 kg | 4.532               | 5.665                |
|              |   | AV12  | Chrome | 6-8 weeks | 9.00 kg | 4.772               | 5.965                |

| Item code | Product  | Lead time  | Weight   | PRICE EX. VAT (SEK) | PRICE INC. VAT (SEK) |
|-----------|--|------------|----------|---------------------|----------------------|
| 50099990  | Pavilion Stacking Trolley                                      | Stock item | 20.00 kg | 9.548               | 11.935               |
| 50010001  | Pavilion chair hanger<br>*can only be used for AV1, AV3 & AV12 | 6-8 weeks  |          | 232                 | 290                  |



EU Ecolabel certified, validating high standards of durability, circular design, and responsible use of chemicals. Please contact our sales team for a list of EU Ecolabel compliant combinations.

| Frame  | Back        | Seat        |
|--------|-------------|-------------|
| Black  | Upholstered | Upholstered |
| Chrome | Upholstered | Upholstered |

**Material:** Steel tubes, formpressed veneer, HR foam, fabric upholstery.

**Fabric usage:** 0.9 meter based on a 140cm roll.

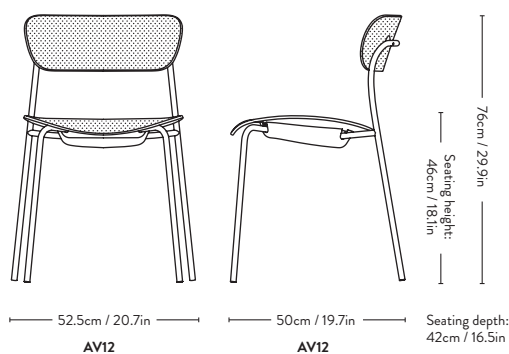
COM must be approved by &Tradition to ensure suitability for upholstery.

Pavilion AV12 is not available in leather.

Plastic gliders installed as standard. Felt gliders available upon request.

Stackable chair.

With trolley: 10 pcs / Without trolley: 8 pcs



# Pavilion AV13

## Anderssen & Voll

### 2019



| Price group  | Upholstery  | Model | Base   | Lead time | Weight  | PRICE EX. VAT (SEK) | PRICE INC. VAT (SEK) |
|--------------|---|-------|--------|-----------|---------|---------------------|----------------------|
| Fabric gr. 1 | Hot Madison, Remix, Re-Wool                           | AV13  | Black  | 6-8 weeks | 9.00 kg | 5.128               | 6.410                |
|              |   | AV13  | Chrome | 6-8 weeks | 9.00 kg | 5.488               | 6.860                |
| Fabric gr. 2 | Canvas, Barnum, Fiord, Ritz                           | AV13  | Black  | 6-8 weeks | 9.00 kg | 6.324               | 7.905                |
|              |   | AV13  | Chrome | 6-8 weeks | 9.00 kg | 6.680               | 8.350                |
| Fabric gr. 3 | Clay, Hallingdal, Steelcut Quartet, Steelcut Trio     | AV13  | Black  | 6-8 weeks | 9.00 kg | 6.440               | 8.050                |
|              |   | AV13  | Chrome | 6-8 weeks | 9.00 kg | 6.800               | 8.500                |
| Fabric gr. 4 | Acca, Cifrado, Ecriture, Moss, Uniform Melange, Vidar | AV13  | Black  | 6-8 weeks | 9.00 kg | 6.560               | 8.200                |
|              |   | AV13  | Chrome | 6-8 weeks | 9.00 kg | 6.920               | 8.650                |
| Fabric gr. 5 | Karakorum, Sisu                                       | AV13  | Black  | 6-8 weeks | 9.00 kg | 7.516               | 9.395                |
|              |   | AV13  | Chrome | 6-8 weeks | 9.00 kg | 7.876               | 9.845                |
| Fabric gr. 6 | Fuse, Gentle  | AV13  | Black  | 6-8 weeks | 9.00 kg | 8.232               | 10.290               |
|              |   | AV13  | Chrome | 6-8 weeks | 9.00 kg | 8.712               | 10.890               |
| Fabric COM   | COM Fabric  | AV13  | Black  | 6-8 weeks | 9.00 kg | 5.128               | 6.410                |
|              |   | AV13  | Chrome | 6-8 weeks | 9.00 kg | 5.488               | 6.860                |

| Item code | Product                   | Lead time  | Weight   | PRICE EX. VAT (SEK) | PRICE INC. VAT (SEK) |
|-----------|---------------------------|------------|----------|---------------------|----------------------|
| 50099990  | Pavilion Stacking Trolley | Stock item | 20.00 kg | 9.548               | 11.935               |



EU Ecolabel certified, validating high standards of durability, circular design, and responsible use of chemicals. Please contact our sales team for a list of EU Ecolabel compliant combinations.

| Frame | Back        | Seat        |
|-------|-------------|-------------|
| Black | Upholstered | Upholstered |

**Material:** Steel tubes, formpressed veneer, HR foam, fabric upholstery.

**Fabric usage:** 0.9 meter based on a 140cm roll.

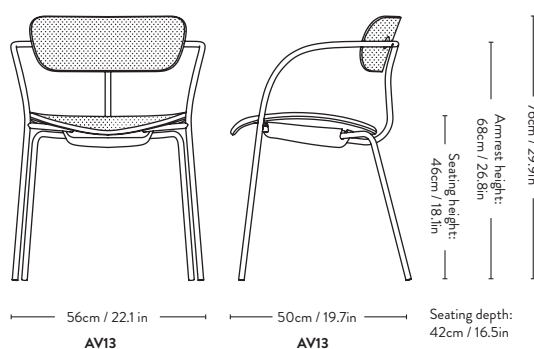
COM must be approved by &Tradition to ensure suitability for upholstery.

Pavilion AV13 is not available in leather.

Plastic gliders installed as standard. Felt gliders available upon request.

Stackable chair.

With trolley: 10 pcs / Without trolley: 8 pcs





# Pavilion AV5

## Anderssen & Voll

### 2018



| Item code | Base  | Model | Finish    | Colli qty. | Lead time | Weight  | PRICE EX. VAT (SEK) | PRICE INC. VAT (SEK) |
|-----------|-------|-------|-----------|------------|-----------|---------|---------------------|----------------------|
| 50030192  | Black | AV5   | Oak       | 1 pc       | 6-8 weeks | 5.50 kg | 5.488               | 6.860                |
|           |       | AV5   | Black Oak | 1 pc       | 6-8 weeks | 5.50 kg | 5.488               | 6.860                |
| 50030196  | Black | AV5   | Walnut    | 1 pc       | 6-8 weeks | 5.50 kg | 5.844               | 7.305                |



EU Ecolabel certified, validating high standards of durability, circular design, and responsible use of chemicals. Please contact our sales team for a list of EU Ecolabel compliant combinations.

EU Ecolabel : DK/049/002

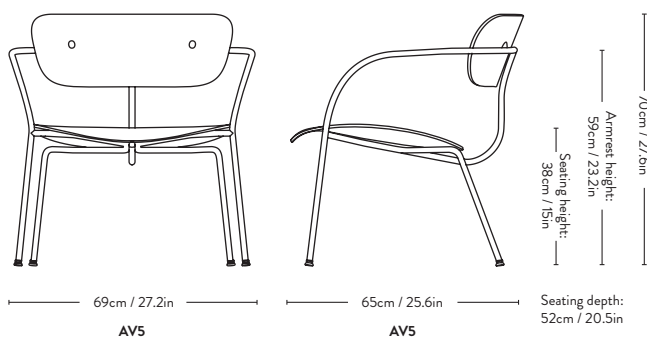
#### Frame      Seat & back

Black      Water Based Lacquered Oak, Black Water Based Lacquered Oak, Water based Lacquered Walnut

**Material:** Steel tubes and formpressed veneer.

Plastic gliders installed as standard.  
Felt gliders available upon request.

Black fittings for the front side of the back rest installed as standard.  
Brass fittings available upon request (6-8 weeks lead time).



# Pavilion AV6

## Anderssen & Voll

### 2018



| Item code    | Upholstery  | Model | Finish    | Lead time | Weight  | PRICE EX. VAT (SEK) | PRICE INC. VAT (SEK) |
|--------------|---|-------|-----------|-----------|---------|---------------------|----------------------|
| Fabric gr. 1 | Hot Madison, Remix, Re-Wool                           | AV6   | Black Oak | 6-8 weeks | 6.50 kg | 6.560               | 8.200                |
|              |   | AV6   | Oak       | 6-8 weeks | 6.50 kg | 6.560               | 8.200                |
|              |   | AV6   | Walnut    | 6-8 weeks | 6.50 kg | 6.920               | 8.650                |
| Fabric gr. 2 | Canvas, Barnum, Fiord, Ritz                           | AV6   | Black Oak | 6-8 weeks | 6.50 kg | 7.276               | 9.095                |
|              |   | AV6   | Oak       | 6-8 weeks | 6.50 kg | 7.276               | 9.095                |
|              |   | AV6   | Walnut    | 6-8 weeks | 6.50 kg | 7.636               | 9.545                |
| Fabric gr. 3 | Clay, Hallingdal, Steelcut Quartet, Steelcut Trio     | AV6   | Black Oak | 6-8 weeks | 6.50 kg | 7.336               | 9.170                |
|              |   | AV6   | Oak       | 6-8 weeks | 6.50 kg | 7.336               | 9.170                |
|              |   | AV6   | Walnut    | 6-8 weeks | 6.50 kg | 7.696               | 9.620                |
| Fabric gr. 4 | Acca, Cifrado, Ecriture, Moss, Uniform Melange, Vidar | AV6   | Black Oak | 6-8 weeks | 6.50 kg | 7.516               | 9.395                |
|              |   | AV6   | Oak       | 6-8 weeks | 6.50 kg | 7.516               | 9.395                |
|              |   | AV6   | Walnut    | 6-8 weeks | 6.50 kg | 7.756               | 9.695                |
| Fabric gr. 5 | Karakorum, Sisu                                       | AV6   | Black Oak | 6-8 weeks | 6.50 kg | 7.996               | 9.995                |
|              |   | AV6   | Oak       | 6-8 weeks | 6.50 kg | 7.996               | 9.995                |
|              |   | AV6   | Walnut    | 6-8 weeks | 6.50 kg | 8.232               | 10.290               |
| Fabric gr. 6 | Fuse, Gentle  | AV6   | Black Oak | 6-8 weeks | 6.50 kg | 8.828               | 11.035               |
|              |   | AV6   | Oak       | 6-8 weeks | 6.50 kg | 8.828               | 11.035               |
|              |   | AV6   | Walnut    | 6-8 weeks | 6.50 kg | 9.068               | 11.335               |
| Leather      | Tailor Semi-aniline leather                           | AV6   | Black Oak | 6-8 weeks | 6.50 kg | 7.756               | 9.695                |
|              |   | AV6   | Oak       | 6-8 weeks | 6.50 kg | 7.756               | 9.695                |
|              |   | AV6   | Walnut    | 6-8 weeks | 6.50 kg | 7.996               | 9.995                |
| Leather      | Noble Aniline leather                                 | AV6   | Black Oak | 6-8 weeks | 6.50 kg | 7.996               | 9.995                |
|              |   | AV6   | Oak       | 6-8 weeks | 6.50 kg | 7.996               | 9.995                |
|              |   | AV6   | Walnut    | 6-8 weeks | 6.50 kg | 8.232               | 10.290               |
| Leather      | Elmosoft Semi-aniline leather                         | AV6   | Black Oak | 6-8 weeks | 6.50 kg | 8.352               | 10.440               |
|              |   | AV6   | Oak       | 6-8 weeks | 6.50 kg | 8.352               | 10.440               |
|              |   | AV6   | Walnut    | 6-8 weeks | 6.50 kg | 8.592               | 10.740               |
| Fabric COM   | COM Fabric  | AV6   | Black Oak | 6-8 weeks | 6.50 kg | 6.560               | 8.200                |
|              |   | AV6   | Oak       | 6-8 weeks | 6.50 kg | 6.560               | 8.200                |
|              |   | AV6   | Walnut    | 6-8 weeks | 6.50 kg | 6.920               | 8.650                |

| Frame | Back  | Seat        |
|-------|---|-------------|
| Black | Water Based Lacquered Oak, Black<br>Water Based Lacquered Oak, Water based Lacquered Walnut | Upholstered |

**Material:** Steel tubes, formpressed veneer, HR foam, fabric or leather upholstery.

**Fabric usage:** 0.73 meters based on 140cm roll

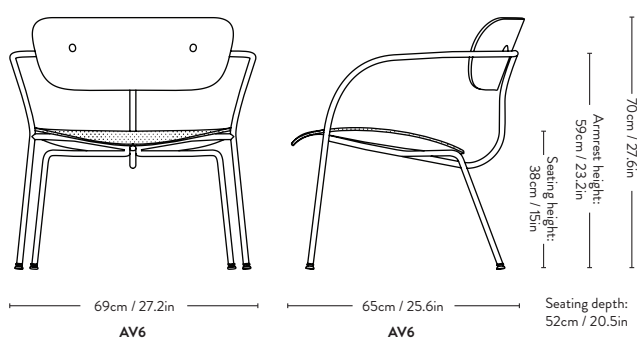
**Leather usage:** 0.5 square meters based on a yield of 60% pr hide.

COM must be approved by &Tradition to ensure suitability for upholstery.

Plastic gliders installed as standard. Felt gliders available upon request.  
Black fittings for the front side of the back rest installed as standard.  
Brass fittings available upon request (6-8 weeks lead time).



EU Ecolabel certified, validating high standards of durability, circular design, and responsible use of chemicals.  
Please contact our sales team for a list of EU Ecolabel compliant combinations.



# Pavilion AV11

## Anderssen & Voll

### 2019



| Price group  | Upholstery  | Model | Lead time | Weight  | PRICE EX. VAT (SEK) | PRICE INC. VAT (SEK) |
|--------------|---|-------|-----------|---------|---------------------|----------------------|
| Fabric gr. 1 | Hot Madison, Remix, Re-Wool                           | AV11  | 6-8 weeks | 6.50 kg | 7.516               | 9.395                |
| Fabric gr. 2 | Canvas, Barnum, Fiord, Ritz                           | AV11  | 6-8 weeks | 6.50 kg | 8.232               | 10.290               |
| Fabric gr. 3 | Clay, Hallingdal, Steelcut Quartet, Steelcut Trio     | AV11  | 6-8 weeks | 6.50 kg | 8.352               | 10.440               |
| Fabric gr. 4 | Acca, Cifrado, Ecriture, Moss, Uniform Melange, Vidar | AV11  | 6-8 weeks | 6.50 kg | 8.472               | 10.590               |
| Fabric gr. 5 | Karakorum, Sisu                                       | AV11  | 6-8 weeks | 6.50 kg | 8.948               | 11.185               |
| Fabric gr. 6 | Fuse, Gentle  | AV11  | 6-8 weeks | 6.50 kg | 9.784               | 12.230               |
| Fabric COM   | COM Fabric  | AV11  | 6-8 weeks | 6.50 kg | 7.516               | 9.395                |



EU Ecolabel certified, validating high standards of durability, circular design, and responsible use of chemicals. Please contact our sales team for a list of EU Ecolabel compliant combinations.

EU Ecolabel - DK/049/002

| Frame | Back        | Seat        |
|-------|-------------|-------------|
| Black | Upholstered | Upholstered |

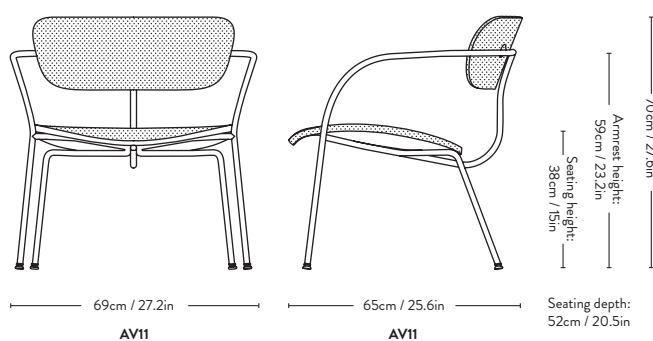
**Material:** Steel tubes, formpressed veneer, HR foam, fabric or leather upholstery.

**Fabric usage:** 1 meter based on a 140cm roll.

COM must be approved by &Tradition to ensure suitability for upholstery.

Pavilion AV11 is not available in leather.

Plastic gliders installed as standard.  
Felt gliders available upon request.



# Pavilion AV7

## Anderssen & Voll

### 2018



| Item code | Product   | Model | Colli qty. | Lead time  | Weight  | PRICE EX. VAT (SEK) | PRICE INC. VAT (SEK) |
|-----------|-----------|-------|------------|------------|---------|---------------------|----------------------|
| 50060092  | Oak       | AV7   | 1 pc       | Stock item | 5.00 kg | 4.052               | 5.065                |
| 50060094  | Black Oak | AV7   | 1 pc       | Stock item | 5.00 kg | 4.052               | 5.065                |
| 50060096  | Walnut    | AV7   | 1 pc       | Stock item | 5.00 kg | 4.172               | 5.215                |



EU Ecolabel certified, validating high standards of durability, circular design, and responsible use of chemicals. Please contact our sales team for a list of EU Ecolabel compliant combinations.

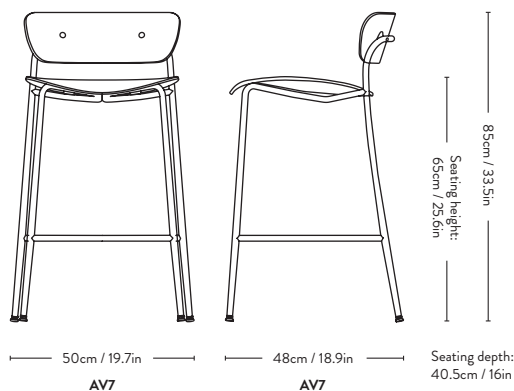
EU Ecolabel : DK/049/002

| Frame | Seat & back  |
|-------|--|
| Black | Water Based Lacquered Oak, Black Water Based Lacquered Oak, Water based Lacquered Walnut |

**Material:** Steel tubes, formpressed veneer

Plastic gliders installed as standard. Felt gliders available upon request.

Black fittings for the front side of the back rest installed as standard. Brass fittings available upon request.



# Pavilion AV8

## Anderssen & Voll

### 2018



| Price group  | Upholstery  | Model | Finish    | Lead time | Weight  | PRICE EX. VAT (SEK) | PRICE INC. VAT (SEK) |
|--------------|---|-------|-----------|-----------|---------|---------------------|----------------------|
| Fabric gr. 1 | Hot Madison, Remix, Re-Wool                           | AV8   | Black Oak | 6-8 weeks | 5.50 kg | 4.888               | 6.110                |
|              |   | AV8   | Oak       | 6-8 weeks | 5.50 kg | 4.888               | 6.110                |
|              |   | AV8   | Walnut    | 6-8 weeks | 5.50 kg | 5.008               | 6.260                |
| Fabric gr. 2 | Canvas, Barnum, Fiord, Ritz                           | AV8   | Black Oak | 6-8 weeks | 5.50 kg | 5.488               | 6.860                |
|              |   | AV8   | Oak       | 6-8 weeks | 5.50 kg | 5.488               | 6.860                |
|              |   | AV8   | Walnut    | 6-8 weeks | 5.50 kg | 5.604               | 7.005                |
| Fabric gr. 3 | Clay, Hallingdal, Steelcut Quartet, Steelcut Trio     | AV8   | Black Oak | 6-8 weeks | 5.50 kg | 5.548               | 6.935                |
|              |   | AV8   | Oak       | 6-8 weeks | 5.50 kg | 5.548               | 6.935                |
|              |   | AV8   | Walnut    | 6-8 weeks | 5.50 kg | 5.664               | 7.080                |
| Fabric gr. 4 | Acca, Cifrado, Ecriture, Moss, Uniform Melange, Vidar | AV8   | Black Oak | 6-8 weeks | 5.50 kg | 5.604               | 7.005                |
|              |   | AV8   | Oak       | 6-8 weeks | 5.50 kg | 5.604               | 7.005                |
|              |   | AV8   | Walnut    | 6-8 weeks | 5.50 kg | 5.724               | 7.155                |
| Fabric gr. 5 | Karakorum, Sisu                                       | AV8   | Black Oak | 6-8 weeks | 5.50 kg | 6.084               | 7.605                |
|              |   | AV8   | Oak       | 6-8 weeks | 5.50 kg | 6.084               | 7.605                |
|              |   | AV8   | Walnut    | 6-8 weeks | 5.50 kg | 6.204               | 7.755                |
| Fabric gr. 6 | Fuse, Gentle  | AV8   | Black Oak | 6-8 weeks | 5.50 kg | 6.680               | 8.350                |
|              |   | AV8   | Oak       | 6-8 weeks | 5.50 kg | 6.680               | 8.350                |
|              |   | AV8   | Walnut    | 6-8 weeks | 5.50 kg | 6.800               | 8.500                |
| Leather      | Tailor Semi-aniline leather                           | AV8   | Black Oak | 6-8 weeks | 5.50 kg | 5.844               | 7.305                |
|              |   | AV8   | Oak       | 6-8 weeks | 5.50 kg | 5.844               | 7.305                |
|              |   | AV8   | Walnut    | 6-8 weeks | 5.50 kg | 5.964               | 7.455                |
| Leather      | Noble Aniline leather                                 | AV8   | Black Oak | 6-8 weeks | 5.50 kg | 6.084               | 7.605                |
|              |   | AV8   | Oak       | 6-8 weeks | 5.50 kg | 6.084               | 7.605                |
|              |   | AV8   | Walnut    | 6-8 weeks | 5.50 kg | 6.204               | 7.755                |
| Leather      | Elmosoft Semi-aniline leather                         | AV8   | Black Oak | 6-8 weeks | 5.50 kg | 6.440               | 8.050                |
|              |   | AV8   | Oak       | 6-8 weeks | 5.50 kg | 6.440               | 8.050                |
|              |   | AV8   | Walnut    | 6-8 weeks | 5.50 kg | 6.560               | 8.200                |
| Fabric COM   | COM Fabric  | AV8   | Black Oak | 6-8 weeks | 5.50 kg | 4.888               | 6.110                |
|              |   | AV8   | Oak       | 6-8 weeks | 5.50 kg | 4.888               | 6.110                |
|              |   | AV8   | Walnut    | 6-8 weeks | 5.50 kg | 5.008               | 6.260                |

| Frame | Back   |
|-------|--|
| Black | Water Based Lacquered Oak, Black Water Based Lacquered Oak, Water based Lacquered Walnut |

**Material:** Steel tubes, formpressed veneer, HR foam, fabric or leather upholstery.

**Fabric usage (Pavilion AV8):** 0.45 meters based on 140cm roll.

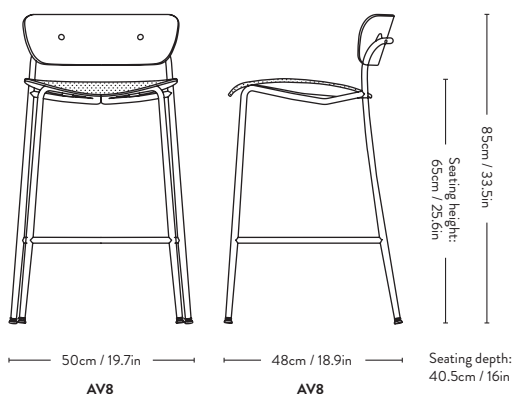
**Leather usage (Pavilion AV8):** 0.55 square meters based on a yield of 60% pr hide.

COM must be approved by &Tradition to ensure suitability for upholstery. Plastic gliders installed as standard. Felt gliders available upon request.


Black fittings for the front side of the back rest installed as standard. Brass fittings available upon request.



EU Ecolabel certified, validating high standards of durability, circular design, and responsible use of chemicals. Please contact our sales team for a list of EU Ecolabel compliant combinations.



# Pavilion AV14



## Anderssen & Voll

### 2019



| Price group  | Upholstery  | Model | Lead time | Weight  | PRICE EX. VAT (SEK) | PRICE INC. VAT (SEK) |
|--------------|---|-------|-----------|---------|---------------------|----------------------|
| Fabric gr. 1 | Hot Madison, Remix, Re-Wool                           | AV14  | 6-8 weeks | 5.50 kg | 5.844               | 7.305                |
| Fabric gr. 2 | Canvas, Barnum, Fiord, Ritz                           | AV14  | 6-8 weeks | 5.50 kg | 7.040               | 8.800                |
| Fabric gr. 3 | Clay, Hallingdal, Steelcut Quartet, Steelcut Trio     | AV14  | 6-8 weeks | 5.50 kg | 7.160               | 8.950                |
| Fabric gr. 4 | Acca, Cifrado, Ecriture, Moss, Uniform Melange, Vidar | AV14  | 6-8 weeks | 5.50 kg | 7.276               | 9.095                |
| Fabric gr. 5 | Karakorum, Sisu                                       | AV14  | 6-8 weeks | 5.50 kg | 8.232               | 10.290               |
| Fabric gr. 6 | Fuse, Gentle  | AV14  | 6-8 weeks | 5.50 kg | 9.068               | 11.335               |
| Fabric COM   | COM Fabric  | AV14  | 6-8 weeks | 5.50 kg | 5.844               | 7.305                |

| Frame | Back        | Seat        |
|-------|-------------|-------------|
| Black | Upholstered | Upholstered |

**Material:** Steel tubes, formpressed veneer, HR foam, fabric or leather upholstery.

**Fabric usage:** 0.8 meter based on a 140cm roll.

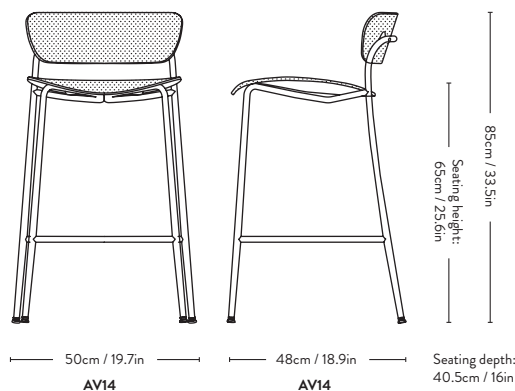
COM must be approved by &Tradition to ensure suitability for upholstery.

Pavilion AV14 is not available in leather.

Plastic gliders installed as standard.  
Felt gliders available upon request.



EU Ecolabel certified, validating high standards of durability, circular design, and responsible use of chemicals. Please contact our sales team for a list of EU Ecolabel compliant combinations.



# Pavilion AV9

## Anderssen & Voll

### 2018



| Item code | Product   | Model | Colli qty. | Lead time  | Weight  | PRICE EX. VAT (SEK) | PRICE INC. VAT (SEK) |
|-----------|-----------|-------|------------|------------|---------|---------------------|----------------------|
| 50090092  | Oak       | AV9   | 1 pc       | Stock item | 5.30 kg | 4.172               | 5.215                |
| 50090094  | Black Oak | AV9   | 1 pc       | Stock item | 5.30 kg | 4.172               | 5.215                |
| 50090096  | Walnut    | AV9   | 1 pc       | Stock item | 5.30 kg | 4.292               | 5.365                |

**Frame**      **Seat & back**

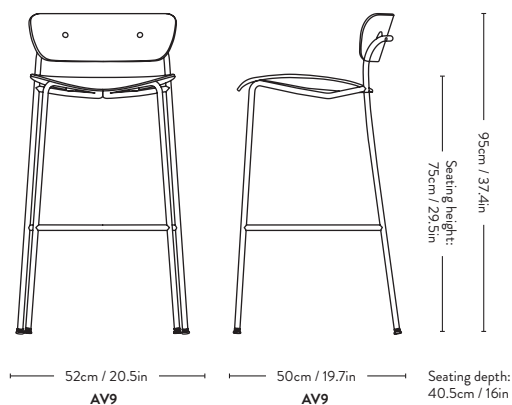
Black      Water Based Lacquered Oak, Black Water Based Lacquered Oak, Water based Lacquered Walnut

**Material:** Steel tubes, formpressed veneer.

Plastic gliders installed as standard. Felt gliders available upon request. Black fittings for the front side of the back rest installed as standard. Brass fittings available upon request (6-8 weeks lead time, on AV9 only).



EU Ecolabel certified, validating high standards of durability, circular design, and responsible use of chemicals. Please contact our sales team for a list of EU Ecolabel compliant combinations.



# Pavilion AV10

## Anderssen & Voll

### 2018



|              | Upholstery  | Model | Finish    | Lead time | Weight  | PRICE EX. VAT (SEK) | PRICE INC. VAT (SEK) |
|--------------|---|-------|-----------|-----------|---------|---------------------|----------------------|
| Fabric gr. 1 | Hot Madison, Remix, Re-Wool                           | AV10  | Black Oak | 6-8 weeks | 5.80 kg | 5.008               | 6.260                |
|              |   | AV10  | Oak       | 6-8 weeks | 5.80 kg | 5.008               | 6.260                |
|              |   | AV10  | Walnut    | 6-8 weeks | 5.80 kg | 5.128               | 6.410                |
| Fabric gr. 2 | Canvas, Barnum, Fiord, Ritz                           | AV10  | Black Oak | 6-8 weeks | 5.50 kg | 5.604               | 7.005                |
|              |   | AV10  | Oak       | 6-8 weeks | 5.50 kg | 5.604               | 7.005                |
|              |   | AV10  | Walnut    | 6-8 weeks | 5.50 kg | 5.724               | 7.155                |
| Fabric gr. 3 | Clay, Hallingdal, Steelcut Quartet, Steelcut Trio     | AV10  | Black Oak | 6-8 weeks | 5.50 kg | 5.664               | 7.080                |
|              |   | AV10  | Oak       | 6-8 weeks | 5.50 kg | 5.664               | 7.080                |
|              |   | AV10  | Walnut    | 6-8 weeks | 5.50 kg | 5.784               | 7.230                |
| Fabric gr. 4 | Acca, Cifrado, Ecriture, Moss, Uniform Melange, Vidar | AV10  | Black Oak | 6-8 weeks | 5.50 kg | 5.724               | 7.155                |
|              |   | AV10  | Oak       | 6-8 weeks | 5.50 kg | 5.724               | 7.155                |
|              |   | AV10  | Walnut    | 6-8 weeks | 5.50 kg | 5.844               | 7.305                |
| Fabric gr. 5 | Karakorum, Sisu                                       | AV10  | Black Oak | 6-8 weeks | 5.50 kg | 6.204               | 7.755                |
|              |   | AV10  | Oak       | 6-8 weeks | 5.50 kg | 6.204               | 7.755                |
|              |   | AV10  | Walnut    | 6-8 weeks | 5.50 kg | 6.324               | 7.905                |
| Fabric gr. 6 | Fuse, Gentle  | AV10  | Black Oak | 6-8 weeks | 5.50 kg | 6.800               | 8.500                |
|              |   | AV10  | Oak       | 6-8 weeks | 5.50 kg | 6.800               | 8.500                |
|              |   | AV10  | Walnut    | 6-8 weeks | 5.50 kg | 6.920               | 8.650                |
| Leather      | Tailor Semi-aniline leather                           | AV10  | Black Oak | 6-8 weeks | 5.50 kg | 5.964               | 7.455                |
|              |   | AV10  | Oak       | 6-8 weeks | 5.50 kg | 5.964               | 7.455                |
|              |   | AV10  | Walnut    | 6-8 weeks | 5.50 kg | 6.084               | 7.605                |
| Leather      | Noble Aniline leather                                 | AV10  | Black Oak | 6-8 weeks | 5.50 kg | 6.204               | 7.755                |
|              |   | AV10  | Oak       | 6-8 weeks | 5.50 kg | 6.204               | 7.755                |
|              |   | AV10  | Walnut    | 6-8 weeks | 5.50 kg | 6.324               | 7.905                |
| Leather      | Elmosoft Semi-aniline leather                         | AV10  | Black Oak | 6-8 weeks | 5.50 kg | 6.560               | 8.200                |
|              |   | AV10  | Oak       | 6-8 weeks | 5.50 kg | 6.560               | 8.200                |
|              |   | AV10  | Walnut    | 6-8 weeks | 5.50 kg | 6.680               | 8.350                |
| Fabric COM   | COM Fabric  | AV10  | Black Oak | 6-8 weeks | 5.50 kg | 5.008               | 6.260                |
|              |   | AV10  | Oak       | 6-8 weeks | 5.50 kg | 5.008               | 6.260                |
|              |   | AV10  | Walnut    | 6-8 weeks | 5.50 kg | 5.128               | 6.410                |

**Fabric usage (AV10 only):** 0.45 meters based on 140cm roll.

**Leather usage (AV10 only):** 0.55 square meters based on a yield of 60% pr hide. COM must be approved by &Tradition to ensure suitability for upholstery.



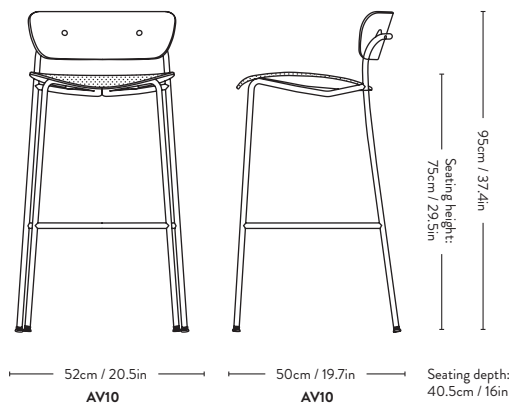
EU Ecolabel certified, validating high standards of durability, circular design, and responsible use of chemicals. Please contact our sales team for a list of EU Ecolabel compliant combinations.

#### Frame Back

Black Water Based Lacquered Oak, Black Water Based Lacquered Oak, Water based Lacquered Walnut

**Material:** Steel tubes, formpressed veneer, HR foam, fabric or leather upholstery.

Plastic gliders installed as standard. Felt gliders available upon request. Back fittings for the front side of the back rest installed as standard. Brass fittings available upon request (6-8 weeks lead time, on AV9 only).





# Pavilion AV15

## Anderssen & Voll

### 2019



| Price group  | Upholstery  | Model | Lead time | Weight  | PRICE EX. VAT (SEK) | PRICE INC. VAT (SEK) |
|--------------|---|-------|-----------|---------|---------------------|----------------------|
| Fabric gr. 1 | Hot Madison, Remix, Re-Wool                           | AV15  | 6-8 weeks | 5.80 kg | 5.964               | 7.455                |
| Fabric gr. 2 | Canvas, Barnum, Fiord, Ritz                           | AV15  | 6-8 weeks | 5.80 kg | 7.160               | 8.950                |
| Fabric gr. 3 | Clay, Hallingdal, Steelcut Quartet, Steelcut Trio     | AV15  | 6-8 weeks | 5.80 kg | 7.396               | 9.245                |
| Fabric gr. 4 | Acca, Cifrado, Ecriture, Moss, Uniform Melange, Vidar | AV15  | 6-8 weeks | 5.80 kg | 7.396               | 9.245                |
| Fabric gr. 5 | Karakorum, Sisu                                       | AV15  | 6-8 weeks | 5.80 kg | 8.352               | 10.440               |
| Fabric gr. 6 | Fuse, Gentle  | AV15  | 6-8 weeks | 5.80 kg | 9.188               | 11.485               |
| Fabric COM   | COM Fabric  | AV15  | 6-8 weeks | 5.80 kg | 5.964               | 7.455                |

| Frame | Back        | Seat        |
|-------|-------------|-------------|
| Black | Upholstered | Upholstered |

**Material:** Steel tubes, formpressed veneer, HR foam, fabric upholstery.

**Fabric usage:** 0.8 meter based on a 140cm roll.

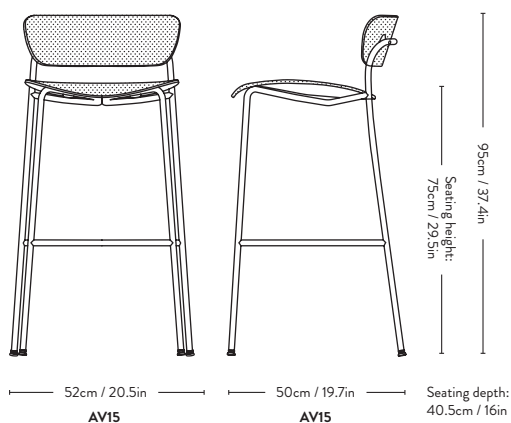
COM must be approved by &Tradition to ensure suitability for upholstery.

Pavilion AV15 is not available in leather.

Plastic gliders installed as standard.  
Felt gliders available upon request.



EU Ecolabel certified, validating high standards of durability, circular design, and responsible use of chemicals. Please contact our sales team for a list of EU Ecolabel compliant combinations.



# Rely HW6

## Hee Welling

### 2020



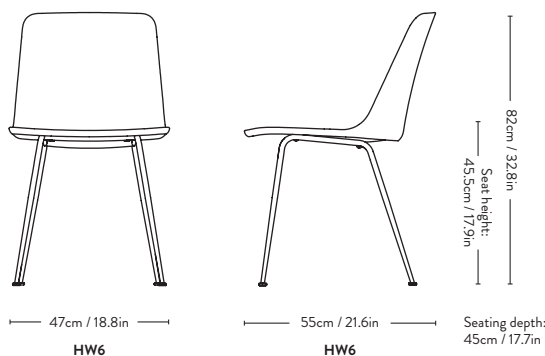
| Item code | Shell Colour  | Model | Base                   | Colli qty.    | Lead time | Weight  | PRICE EX. VAT (SEK) | PRICE INC. VAT (SEK) |
|-----------|---------------|-------|------------------------|---------------|-----------|---------|---------------------|----------------------|
| HW        | Black         | HW6   | Black, Bronzed, Chrome | 1 pc<br>4 pcs | 2-3 weeks | 5.20 kg | 2.264<br>2.144      | 2.830<br>2.680       |
| HW        | White         | HW6   | Black, Bronzed, Chrome | 1 pc<br>4 pcs | 2-3 weeks | 5.20 kg | 2.264<br>2.144      | 2.830<br>2.680       |
| HW        | Beige Sand    | HW6   | Black, Bronzed, Chrome | 1 pc<br>4 pcs | 2-3 weeks | 5.20 kg | 2.264<br>2.144      | 2.830<br>2.680       |
| HW        | Red Brown     | HW6   | Black, Bronzed, Chrome | 1 pc<br>4 pcs | 2-3 weeks | 5.20 kg | 2.264<br>2.144      | 2.830<br>2.680       |
| HW        | Light Blue    | HW6   | Black, Bronzed, Chrome | 1 pc<br>4 pcs | 2-3 weeks | 5.20 kg | 2.264<br>2.144      | 2.830<br>2.680       |
| HW        | Stone Grey    | HW6   | Black, Bronzed, Chrome | 1 pc<br>4 pcs | 2-3 weeks | 5.20 kg | 2.264<br>2.144      | 2.830<br>2.680       |
| HW        | Vermilion red | HW6   | Black, Bronzed, Chrome | 1 pc<br>4 pcs | 2-3 weeks | 5.20 kg | 2.264<br>2.144      | 2.830<br>2.680       |
| HW        | Bronze green  | HW6   | Black, Bronzed, Chrome | 1 pc<br>4 pcs | 2-3 weeks | 5.20 kg | 2.264<br>2.144      | 2.830<br>2.680       |
| HW        | Soft Pink     | HW6   | Black, Bronzed, Chrome | 1 pc<br>4 pcs | 2-3 weeks | 5.20 kg | 2.264<br>2.144      | 2.830<br>2.680       |

**Material:** Shell made from 100% recycled polypropylene with fiber glass and a steel tube base.

Wagner QuickClick Plast gliders are installed as standard.  
Wagner QuickClick Felt gliders available upon request.



EU Ecolabel certified, validating high standards of durability, circular design, and responsible use of chemicals. Please contact our sales team for a list of EU Ecolabel compliant combinations.



# Rely <sup>HW7</sup> Hee Welling 2020



| Price group  | Shell Colour  | Seat Cushion Upholstery                               | Model | Base                   | Lead time | Weight  | PRICE EX. VAT (SEK) | PRICE INC. VAT (SEK) |
|--------------|---|---|-------|------------------------|-----------|---------|---------------------|----------------------|
| Fabric gr. 1 | Black, White, Beige Sand, Red Brown, Light Blue, Stone Grey, Vermilion red, Bronze green, Soft Pink | Hot Madison, Remix, Re-Wool                           | HW7   | Black, Bronzed, Chrome | 3-6 weeks | 6.50 kg | 3.576               | 4.470                |
| Fabric gr. 2 | Black, White, Beige Sand, Red Brown, Light Blue, Stone Grey, Vermilion red, Bronze green, Soft Pink | Canvas, Barnum, Fiord, Ritz                           | HW7   | Black, Bronzed, Chrome | 3-6 weeks | 6.50 kg | 3.936               | 4.920                |
| Fabric gr. 3 | Black, White, Beige Sand, Red Brown, Light Blue, Stone Grey, Vermilion red, Bronze green, Soft Pink | Clay, Hallingdal, Steelcut Quartet, Steelcut Trio     | HW7   | Black, Bronzed, Chrome | 3-6 weeks | 6.50 kg | 4.052               | 5.065                |
| Fabric gr. 4 | Black, White, Beige Sand, Red Brown, Light Blue, Stone Grey, Vermilion red, Bronze green, Soft Pink | Acca, Cifrado, Ecriture, Moss, Uniform Melange, Vidar | HW7   | Black, Bronzed, Chrome | 3-6 weeks | 6.50 kg | 4.412               | 5.515                |
| Fabric gr. 5 | Black, White, Beige Sand, Red Brown, Light Blue, Stone Grey, Vermilion red, Bronze green, Soft Pink | Karakorum, Sisu                                       | HW7   | Black, Bronzed, Chrome | 3-6 weeks | 6.50 kg | 4.888               | 6.110                |
| Fabric gr. 6 | Black, White, Beige Sand, Red Brown, Light Blue, Stone Grey, Vermilion red, Bronze green, Soft Pink | Fuse, Gentle  | HW7   | Black, Bronzed, Chrome | 3-6 weeks | 6.50 kg | 5.368               | 6.710                |
| Leather      | Black, White, Beige Sand, Red Brown, Light Blue, Stone Grey, Vermilion red, Bronze green, Soft Pink | Tailor Semi-aniline leather                           | HW7   | Black, Bronzed, Chrome | 3-6 weeks | 6.50 kg | 4.052               | 5.065                |
| Leather      | Black, White, Beige Sand, Red Brown, Light Blue, Stone Grey, Vermilion red, Bronze green, Soft Pink | Noble Aniline leather                                 | HW7   | Black, Bronzed, Chrome | 3-6 weeks | 6.50 kg | 4.412               | 5.515                |
| Leather      | Black, White, Beige Sand, Red Brown, Light Blue, Stone Grey, Vermilion red, Bronze green, Soft Pink | Elmosoft Semi-aniline leather                         | HW7   | Black, Bronzed, Chrome | 3-6 weeks | 6.50 kg | 4.772               | 5.965                |
| Fabric COM   | Black, White, Beige Sand, Red Brown, Light Blue, Stone Grey, Vermilion red, Bronze green, Soft Pink | COM Fabric  | HW7   | Black, Bronzed, Chrome | 3-6 weeks | 6.50 kg | 3.576               | 4.470                |



EU Ecolabel certified, validating high standards of durability, circular design, and responsible use of chemicals. Please contact our sales team for a list of EU Ecolabel compliant combinations.

**Material:** Shell made from 100% recycled polypropylene with fiber glass, HR foam seat covered with fabric or leather upholstery, steel tube base.

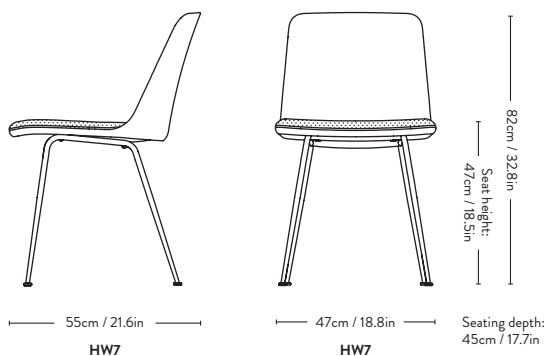
**Fabric usage:** 0.49 meter based on a 140 cm roll.

**Leather usage:** 1 square meter based on a yield of 60% pr hide.

COM must be approved by &Tradition to ensure suitability for upholstery.

Wagner QuickClick Plast gliders are installed as standard.

Wagner QuickClick Felt gliders available upon request.



# Rely <sup>HW8</sup> Hee Welling 2020



| Price group  | Upholstery  | Model | Base                   | Lead time | Weight  | PRICE EX. VAT (SEK) | PRICE INC. VAT (SEK) |
|--------------|---|-------|------------------------|-----------|---------|---------------------|----------------------|
| Fabric gr. 1 | Hot Madison, Remix, Re-Wool                           | HW8   | Black, Bronzed, Chrome | 3-6 weeks | 5.70 kg | 4.532               | 5.665                |
| Fabric gr. 2 | Canvas, Barnum, Fiord, Ritz                           | HW8   | Black, Bronzed, Chrome | 3-6 weeks | 5.70 kg | 5.248               | 6.560                |
| Fabric gr. 3 | Clay, Hallingdal, Steelcut Quartet, Steelcut Trio     | HW8   | Black, Bronzed, Chrome | 3-6 weeks | 5.70 kg | 5.488               | 6.860                |
| Fabric gr. 4 | Acca, Cifrado, Ecriture, Moss, Uniform Melange, Vidar | HW8   | Black, Bronzed, Chrome | 3-6 weeks | 5.70 kg | 6.084               | 7.605                |
| Fabric gr. 5 | Karakorum, Sisu                                       | HW8   | Black, Bronzed, Chrome | 3-6 weeks | 5.70 kg | 7.516               | 9.395                |
| Fabric gr. 6 | Fuse, Gentle  | HW8   | Black, Bronzed, Chrome | 3-6 weeks | 5.70 kg | 8.232               | 10.290               |
| Leather      | Tailor Semi-aniline leather                           | HW8   | Black, Bronzed, Chrome | 3-6 weeks | 5.70 kg | 6.440               | 8.050                |
| Leather      | Noble Aniline leather                                 | HW8   | Black, Bronzed, Chrome | 3-6 weeks | 5.70 kg | 6.800               | 8.500                |
| Leather      | Elmosoft Semi-aniline leather                         | HW8   | Black, Bronzed, Chrome | 3-6 weeks | 5.70 kg | 7.396               | 9.245                |
| Fabric COM   | COM Fabric  | HW8   | Black, Bronzed, Chrome | 3-6 weeks | 5.70 kg | 4.532               | 5.665                |

**Material:** Shell made from 100% recycled polypropylene with fiber glass, covered with HR foam with fabric or leather upholstery, steel tube base.

**Fabric usage:** 1.40 meters based on a 140cm roll.

**Leather usage:** 2.2 square meters based on a yield of 60% pr hide.

COM must be approved by &Tradition to ensure suitability for upholstery.

Wagner QuickClick Plast gliders are installed as standard.

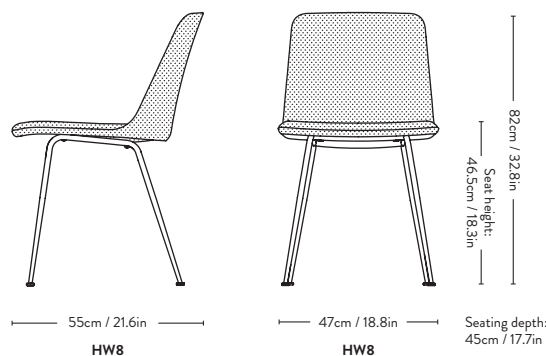
Wagner QuickClick Felt gliders available upon request.



EU Ecolabel certified, validating high standards of durability, circular design, and responsible use of chemicals.

Please contact our sales team for a list of EU Ecolabel compliant combinations.

EU Ecolabel | DK/049/019



# Rely <sup>HW9</sup> Hee Welling 2020



| Price group  | Upholstery  | Model | Base                   | Lead time | Weight  | PRICE EX. VAT (SEK) | PRICE INC. VAT (SEK) |
|--------------|---|-------|------------------------|-----------|---------|---------------------|----------------------|
| Fabric gr. 1 | Hot Madison, Remix, Re-Wool                           | HW9   | Black, Bronzed, Chrome | 3-6 weeks | 6.80 kg | 4.772               | 5.965                |
| Fabric gr. 2 | Canvas, Barnum, Fiord, Ritz                           | HW9   | Black, Bronzed, Chrome | 3-6 weeks | 6.80 kg | 5.488               | 6.860                |
| Fabric gr. 3 | Clay, Hallingdal, Steelcut Quartet, Steelcut Trio     | HW9   | Black, Bronzed, Chrome | 3-6 weeks | 6.80 kg | 5.724               | 7.155                |
| Fabric gr. 4 | Acca, Cifrado, Ecriture, Moss, Uniform Melange, Vidar | HW9   | Black, Bronzed, Chrome | 3-6 weeks | 6.80 kg | 6.324               | 7.905                |
| Fabric gr. 5 | Karakorum, Sisu                                       | HW9   | Black, Bronzed, Chrome | 3-6 weeks | 6.80 kg | 7.756               | 9.695                |
| Fabric gr. 6 | Fuse, Gentle  | HW9   | Black, Bronzed, Chrome | 3-6 weeks | 6.80 kg | 8.472               | 10.590               |
| Leather      | Tailor Semi-aniline leather                           | HW9   | Black, Bronzed, Chrome | 3-6 weeks | 6.80 kg | 6.680               | 8.350                |
| Leather      | Noble Aniline leather                                 | HW9   | Black, Bronzed, Chrome | 3-6 weeks | 6.80 kg | 7.040               | 8.800                |
| Leather      | Elmosoft Semi-aniline leather                         | HW9   | Black, Bronzed, Chrome | 3-6 weeks | 6.80 kg | 7.756               | 9.695                |
| Fabric COM   | COM Fabric  | HW9   | Black, Bronzed, Chrome | 3-6 weeks | 6.80 kg | 4.772               | 5.965                |

**Material:** Shell made from 100% recycled polypropylene with fiber glass, covered with HR foam with fabric or leather upholstery, steel tube base.

**Fabric usage:** 1.8 meters based on a 140cm roll.

**Leather usage:** 2.7 square meters based on a yield of 60% pr hide.

COM must be approved by &Tradition to ensure suitability for upholstery.

Wagner QuickClick Plast gliders are installed as standard.

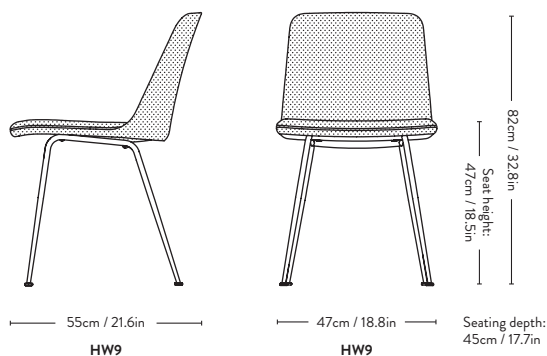
Wagner QuickClick Felt gliders available upon request.



EU Ecolabel certified, validating high standards of durability, circular design, and responsible use of chemicals.

Please contact our sales team for a list of EU Ecolabel compliant combinations.

EU Ecolabel : DK/049/019



# Rely <sup>HW10</sup> Hee Welling 2020



Please note that price is accumulated price of shell & seat.

| Price group  | Shell Upholstery                                      | Model | Base                   | Lead time | Weight  | PRICE EX. VAT (SEK) | PRICE INC. VAT (SEK) |
|--------------|---|-------|------------------------|-----------|---------|---------------------|----------------------|
| Fabric gr. 1 | Hot Madison, Remix, Re-Wool                           | HW10  | Black, Bronzed, Chrome | 3-6 weeks | 6.80 kg | 3.580               | 4.475                |
| Fabric gr. 2 | Canvas, Barnum, Fiord, Ritz                           | HW10  | Black, Bronzed, Chrome | 3-6 weeks | 6.80 kg | 3.940               | 4.925                |
| Fabric gr. 3 | Clay, Hallingdal, Steelcut Quartet, Steelcut Trio     | HW10  | Black, Bronzed, Chrome | 3-6 weeks | 6.80 kg | 4.060               | 5.075                |
| Fabric gr. 4 | Acca, Cifrado, Ecriture, Moss, Uniform Melange, Vidar | HW10  | Black, Bronzed, Chrome | 3-6 weeks | 6.80 kg | 4.296               | 5.370                |
| Fabric gr. 5 | Karakorum, Sisu                                       | HW10  | Black, Bronzed, Chrome | 3-6 weeks | 6.80 kg | 5.256               | 6.570                |
| Fabric gr. 6 | Fuse, Gentle  | HW10  | Black, Bronzed, Chrome | 3-6 weeks | 6.80 kg | 5.732               | 7.165                |
| Leather      | Tailor Semi-aniline leather                           | HW10  | Black, Bronzed, Chrome | 3-6 weeks | 6.80 kg | 4.768               | 5.960                |
| Leather      | Noble Aniline leather                                 | HW10  | Black, Bronzed, Chrome | 3-6 weeks | 6.80 kg | 5.012               | 6.265                |
| Leather      | Elmosoft Semi-aniline leather                         | HW10  | Black, Bronzed, Chrome | 3-6 weeks | 6.80 kg | 5.256               | 6.570                |
| Fabric COM   | COM Fabric  | HW10  | Black, Bronzed, Chrome | 3-6 weeks | 6.80 kg | 3.580               | 4.475                |

| Price group  | Seat Upholstery                                       | Lead time | PRICE EX. VAT (SEK) | PRICE INC. VAT (SEK) |
|--------------|---|-----------|---------------------|----------------------|
| Fabric gr. 1 | Hot Madison, Remix, Re-Wool                           | 3-6 weeks | 1.196               | 1.495                |
| Fabric gr. 2 | Canvas, Barnum, Fiord, Ritz                           | 3-6 weeks | 1.556               | 1.945                |
| Fabric gr. 3 | Clay, Hallingdal, Steelcut Quartet, Steelcut Trio     | 3-6 weeks | 1.676               | 2.095                |
| Fabric gr. 4 | Acca, Cifrado, Ecriture, Moss, Uniform Melange, Vidar | 3-6 weeks | 2.032               | 2.540                |
| Fabric gr. 5 | Karakorum, Sisu                                       | 3-6 weeks | 2.512               | 3.140                |
| Fabric gr. 6 | Fuse, Gentle  | 3-6 weeks | 2.752               | 3.440                |
| Leather      | Tailor Semi-aniline leather                           | 3-6 weeks | 1.912               | 2.390                |
| Leather      | Noble Aniline leather                                 | 3-6 weeks | 2.032               | 2.540                |
| Leather      | Elmosoft Semi-aniline leather                         | 3-6 weeks | 2.512               | 3.140                |
| Fabric COM   | COM Fabric  | 3-6 weeks | 1.196               | 1.495                |



EU Ecolabel certified, validating high standards of durability, circular design, and responsible use of chemicals. Please contact our sales team for a list of EU Ecolabel compliant combinations.

**Material:** Shell made from 100% recycled polypropylene with fiber glass, covered with HR foam with fabric or leather upholstery, steel tube base.

**Fabric usage:**

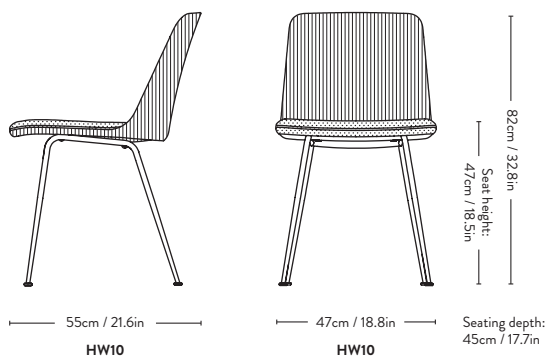
1.9 meter (Shell: 1.2 meters / Seat: 0.7 meter based on a 140 cm roll).

**Leather usage:** 2.9 square meters (Shell: 2 sqm / Seat: 0.9 sqm) based on a yield of 60% pr hide.

COM must be approved by &Tradition to ensure suitability for upholstery.

Wagner QuickClick Plast gliders are installed as standard. Wagner QuickClick Felt gliders available upon request.

Minimum order quantity of same variant: 4 pcs.



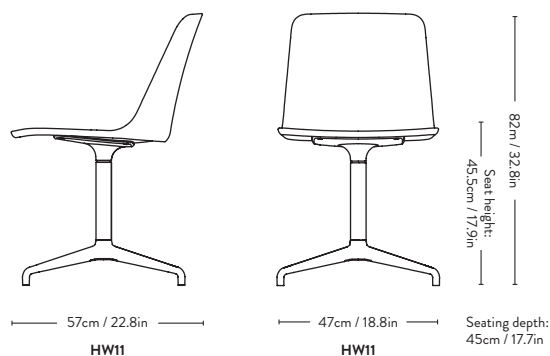
# Rely <sup>HW11</sup> Hee Welling 2020



| Item code | Shell Colour  | Model | Base                               | Lead time | Weight  | PRICE EX. VAT (SEK) | PRICE INC. VAT (SEK) |
|-----------|---------------|-------|------------------------------------|-----------|---------|---------------------|----------------------|
| HW        | Black         | HW11  | Black, Bronzed, Polished Aluminium | 2-3 weeks | 7.80 kg | 3.100               | 3.875                |
| HW        | White         | HW11  | Black, Bronzed, Polished Aluminium | 2-3 weeks | 7.80 kg | 3.100               | 3.875                |
| HW        | Beige Sand    | HW11  | Black, Bronzed, Polished Aluminium | 2-3 weeks | 7.80 kg | 3.100               | 3.875                |
| HW        | Red Brown     | HW11  | Black, Bronzed, Polished Aluminium | 2-3 weeks | 7.80 kg | 3.100               | 3.875                |
| HW        | Light Blue    | HW11  | Black, Bronzed, Polished Aluminium | 2-3 weeks | 7.80 kg | 3.100               | 3.875                |
| HW        | Stone Grey    | HW11  | Black, Bronzed, Polished Aluminium | 2-3 weeks | 7.80 kg | 3.100               | 3.875                |
| HW        | Vermilion red | HW11  | Black, Bronzed, Polished Aluminium | 2-3 weeks | 7.80 kg | 3.100               | 3.875                |
| HW        | Bronze green  | HW11  | Black, Bronzed, Polished Aluminium | 2-3 weeks | 7.80 kg | 3.100               | 3.875                |
| HW        | Soft Pink     | HW11  | Black, Bronzed, Polished Aluminium | 2-3 weeks | 7.80 kg | 3.100               | 3.875                |

**Material:** Shell made from 100% recycled polypropylene with fiber glass and an aluminium swivel base.

Plastic gliders installed as standard.  
Felt gliders available upon request.



# Rely <sup>HW12</sup> Hee Welling 2020



| Price group         | Shell Colour  | Seat Cushion Upholstery                               | Base                               | Lead time | Weight  | PRICE EX. VAT (SEK) | PRICE INC. VAT (SEK) |
|---------------------|---|---|------------------------------------|-----------|---------|---------------------|----------------------|
| <b>Fabric gr. 1</b> | Black, White, Beige Sand, Red Brown, Light Blue, Stone Grey, Vermilion red, Bronze green, Soft Pink | Hot Madison, Remix, Re-Wool                           | Black, Bronzed, Polished Aluminium | 3-6 weeks | 9.10 kg | <b>4.652</b>        | <b>5.815</b>         |
| <b>Fabric gr. 2</b> | Black, White, Beige Sand, Red Brown, Light Blue, Stone Grey, Vermilion red, Bronze green, Soft Pink | Canvas, Barnum, Fiord, Ritz                           | Black, Bronzed, Polished Aluminium | 3-6 weeks | 9.10 kg | <b>5.008</b>        | <b>6.260</b>         |
| <b>Fabric gr. 3</b> | Black, White, Beige Sand, Red Brown, Light Blue, Stone Grey, Vermilion red, Bronze green, Soft Pink | Clay, Hallingdal, Steelcut Quartet, Steelcut Trio     | Black, Bronzed, Polished Aluminium | 3-6 weeks | 9.10 kg | <b>5.128</b>        | <b>6.410</b>         |
| <b>Fabric gr. 4</b> | Black, White, Beige Sand, Red Brown, Light Blue, Stone Grey, Vermilion red, Bronze green, Soft Pink | Acca, Cifrado, Ecriture, Moss, Uniform Melange, Vidar | Black, Bronzed, Polished Aluminium | 3-6 weeks | 9.10 kg | <b>5.488</b>        | <b>6.860</b>         |
| <b>Fabric gr. 5</b> | Black, White, Beige Sand, Red Brown, Light Blue, Stone Grey, Vermilion red, Bronze green, Soft Pink | Karakorum, Sisu                                       | Black, Bronzed, Polished Aluminium | 3-6 weeks | 9.10 kg | <b>5.964</b>        | <b>7.455</b>         |
| <b>Fabric gr. 6</b> | Black, White, Beige Sand, Red Brown, Light Blue, Stone Grey, Vermilion red, Bronze green, Soft Pink | Fuse, Gentle  | Black, Bronzed, Polished Aluminium | 3-6 weeks | 9.10 kg | <b>6.560</b>        | <b>8.200</b>         |
| <b>Leather</b>      | Black, White, Beige Sand, Red Brown, Light Blue, Stone Grey, Vermilion red, Bronze green, Soft Pink | Tailor Semi-aniline leather                           | Black, Bronzed, Polished Aluminium | 3-6 weeks | 9.10 kg | <b>5.128</b>        | <b>6.410</b>         |
| <b>Leather</b>      | Black, White, Beige Sand, Red Brown, Light Blue, Stone Grey, Vermilion red, Bronze green, Soft Pink | Noble Aniline leather                                 | Black, Bronzed, Polished Aluminium | 3-6 weeks | 9.10 kg | <b>5.488</b>        | <b>6.860</b>         |
| <b>Leather</b>      | Black, White, Beige Sand, Red Brown, Light Blue, Stone Grey, Vermilion red, Bronze green, Soft Pink | Elmosoft Semi-aniline leather                         | Black, Bronzed, Polished Aluminium | 3-6 weeks | 9.10 kg | <b>5.844</b>        | <b>7.305</b>         |
| <b>Fabric COM</b>   | Black, White, Beige Sand, Red Brown, Light Blue, Stone Grey, Vermilion red, Bronze green, Soft Pink | COM Fabric  | Black, Bronzed, Polished Aluminium | 3-6 weeks | 9.10 kg | <b>4.652</b>        | <b>5.815</b>         |

**Material:** Shell made from 100% recycled polypropylene with fiber glass, HR foam seat covered with fabric or leather upholstery, aluminium swivel base.

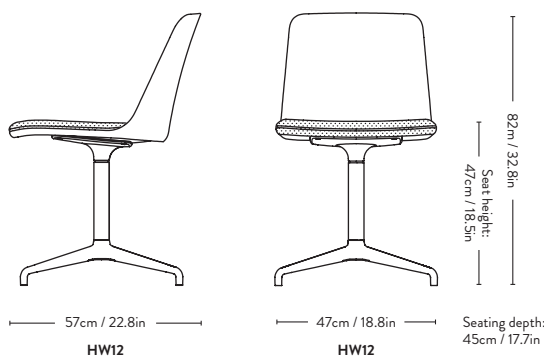
**Fabric usage:** 0.49 meter based on a 140 cm roll.

**Leather usage:** 1 square meter based on a yield of 60% pr hide.

COM must be approved by &Tradition to ensure suitability for upholstery.

Plastic gliders installed as standard.

Felt gliders available upon request.





# Rely <sup>HW13</sup> Hee Welling 2020



| Price group  | Upholstery  | Model | Base                               | Lead time | Weight  | PRICE EX. VAT (SEK) | PRICE INC. VAT (SEK) |
|--------------|---|-------|------------------------------------|-----------|---------|---------------------|----------------------|
| Fabric gr. 1 | Hot Madison, Remix, Re-Wool                           | HW13  | Black, Bronzed, Polished Aluminium | 3-6 weeks | 8.30 kg | 5.368               | 6.710                |
| Fabric gr. 2 | Canvas, Barnum, Fiord, Ritz                           | HW13  | Black, Bronzed, Polished Aluminium | 3-6 weeks | 8.30 kg | 6.084               | 7.605                |
| Fabric gr. 3 | Clay, Hallingdal, Steelcut Quartet, Steelcut Trio     | HW13  | Black, Bronzed, Polished Aluminium | 3-6 weeks | 8.30 kg | 6.324               | 7.905                |
| Fabric gr. 4 | Acca, Cifrado, Ecriture, Moss, Uniform Melange, Vidar | HW13  | Black, Bronzed, Polished Aluminium | 3-6 weeks | 8.30 kg | 6.920               | 8.650                |
| Fabric gr. 5 | Karakorum, Sisu                                       | HW13  | Black, Bronzed, Polished Aluminium | 3-6 weeks | 8.30 kg | 8.352               | 10.440               |
| Fabric gr. 6 | Fuse, Gentle  | HW13  | Black, Bronzed, Polished Aluminium | 3-6 weeks | 8.30 kg | 9.188               | 11.485               |
| Leather      | Tailor Semi-aniline leather                           | HW13  | Black, Bronzed, Polished Aluminium | 3-6 weeks | 8.30 kg | 7.276               | 9.095                |
| Leather      | Noble Aniline leather                                 | HW13  | Black, Bronzed, Polished Aluminium | 3-6 weeks | 8.30 kg | 7.636               | 9.545                |
| Leather      | Elmosoft Semi-aniline leather                         | HW13  | Black, Bronzed, Polished Aluminium | 3-6 weeks | 8.30 kg | 8.232               | 10.290               |
| Fabric COM   | COM Fabric  | HW13  | Black, Bronzed, Polished Aluminium | 3-6 weeks | 8.30 kg | 5.368               | 6.710                |

**Material:** Shell made from 100% recycled polypropylene with fiber glass, covered in HR foam with fabric or leather upholstery, aluminium swivel base.

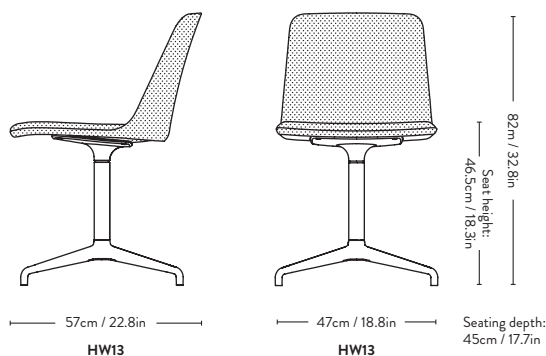
**Fabric usage:** 1.40 meters based on a 140cm roll.

**Leather usage:** 2.2 square meters based on a yield of 60% pr hide.

COM must be approved by &Tradition to ensure suitability for upholstery.

Plastic gliders installed as standard.

Felt gliders available upon request.



# Rely <sup>HW14</sup> Hee Welling 2020



| Price group  | Upholstery  | Model | Base                               | Lead time | Weight  | PRICE EX. VAT (SEK) | PRICE INC. VAT (SEK) |
|--------------|---|-------|------------------------------------|-----------|---------|---------------------|----------------------|
| Fabric gr. 1 | Hot Madison, Remix, Re-Wool                           | HW14  | Black, Bronzed, Polished Aluminium | 3-6 weeks | 9.40 kg | 5.604               | 7.005                |
| Fabric gr. 2 | Canvas, Barnum, Fiord, Ritz                           | HW14  | Black, Bronzed, Polished Aluminium | 3-6 weeks | 9.40 kg | 6.324               | 7.905                |
| Fabric gr. 3 | Clay, Hallingdal, Steelcut Quartet, Steelcut Trio     | HW14  | Black, Bronzed, Polished Aluminium | 3-6 weeks | 9.40 kg | 6.560               | 8.200                |
| Fabric gr. 4 | Acca, Cifrado, Ecriture, Moss, Uniform Melange, Vidar | HW14  | Black, Bronzed, Polished Aluminium | 3-6 weeks | 9.40 kg | 7.160               | 8.950                |
| Fabric gr. 5 | Karakorum, Sisu                                       | HW14  | Black, Bronzed, Polished Aluminium | 3-6 weeks | 9.40 kg | 8.592               | 10.740               |
| Fabric gr. 6 | Fuse, Gentle  | HW14  | Black, Bronzed, Polished Aluminium | 3-6 weeks | 9.40 kg | 9.428               | 11.785               |
| Leather      | Tailor Semi-aniline leather                           | HW14  | Black, Bronzed, Polished Aluminium | 3-6 weeks | 9.40 kg | 7.516               | 9.395                |
| Leather      | Noble Aniline leather                                 | HW14  | Black, Bronzed, Polished Aluminium | 3-6 weeks | 9.40 kg | 7.876               | 9.845                |
| Leather      | Elmosoft Semi-aniline leather                         | HW14  | Black, Bronzed, Polished Aluminium | 3-6 weeks | 9.40 kg | 8.712               | 10.890               |
| Fabric COM   | COM Fabric  | HW14  | Black, Bronzed, Polished Aluminium | 3-6 weeks | 9.40 kg | 5.604               | 7.005                |

**Material:** Shell made from 100% recycled polypropylene with fiber glass, covered in HR foam with fabric or leather upholstery, aluminium swivel base.

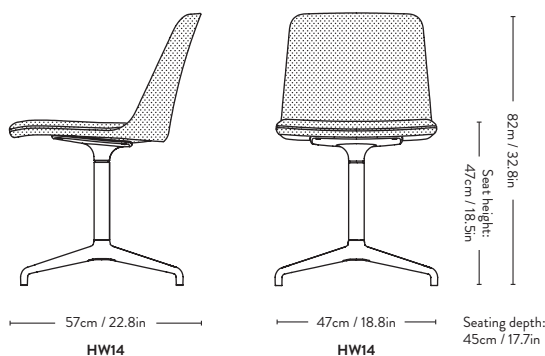
**Fabric usage:** 1.8 meters based on a 140cm roll.

**Leather usage:** 2.7 square meters based on a yield of 60% pr hide.

COM must be approved by &Tradition to ensure suitability for upholstery.

Plastic gliders installed as standard.

Felt gliders available upon request.



# Rely <sup>HW15</sup> Hee Welling 2020



Please note that price is accumulated price of shell & seat.

| Price group  | Shell Upholstery                                      | Base                               | Lead time | Weight  | PRICE EX. VAT (SEK) | PRICE INC. VAT (SEK) |
|--------------|---|------------------------------------|-----------|---------|---------------------|----------------------|
| Fabric gr. 1 | Hot Madison, Remix, Re-Wool                           | Black, Bronzed, Polished Aluminium | 3-6 weeks | 9.40 kg | 4.408               | 5.510                |
| Fabric gr. 2 | Canvas, Barnum, Fiord, Ritz                           | Black, Bronzed, Polished Aluminium | 3-6 weeks | 9.40 kg | 4.776               | 5.970                |
| Fabric gr. 3 | Clay, Hallingdal, Steelcut Quartet, Steelcut Trio     | Black, Bronzed, Polished Aluminium | 3-6 weeks | 9.40 kg | 4.896               | 6.120                |
| Fabric gr. 4 | Acca, Cifrado, Ecriture, Moss, Uniform Melange, Vidar | Black, Bronzed, Polished Aluminium | 3-6 weeks | 9.40 kg | 5.132               | 6.415                |
| Fabric gr. 5 | Karakorum, Sisu                                       | Black, Bronzed, Polished Aluminium | 3-6 weeks | 9.40 kg | 6.092               | 7.615                |
| Fabric gr. 6 | Fuse, Gentle  | Black, Bronzed, Polished Aluminium | 3-6 weeks | 9.40 kg | 6.692               | 8.365                |
| Leather      | Tailor Semi-aniline leather                           | Black, Bronzed, Polished Aluminium | 3-6 weeks | 9.40 kg | 5.616               | 7.020                |
| Leather      | Noble Aniline leather                                 | Black, Bronzed, Polished Aluminium | 3-6 weeks | 9.40 kg | 5.848               | 7.310                |
| Leather      | Elmosoft Semi-aniline leather                         | Black, Bronzed, Polished Aluminium | 3-6 weeks | 9.40 kg | 6.212               | 7.765                |
| Fabric COM   | COM Fabric  | Black, Bronzed, Polished Aluminium | 3-6 weeks | 9.40 kg | 4.408               | 5.510                |

| Price group  | Seat Upholstery                                       | Lead time | PRICE EX. VAT (SEK) | PRICE INC. VAT (SEK) |
|--------------|---|-----------|---------------------|----------------------|
| Fabric gr. 1 | Hot Madison, Remix, Re-Wool                           | 3-6 weeks | 1.196               | 1.495                |
| Fabric gr. 2 | Canvas, Barnum, Fiord, Ritz                           | 3-6 weeks | 1.556               | 1.945                |
| Fabric gr. 3 | Clay, Hallingdal, Steelcut Quartet, Steelcut Trio     | 3-6 weeks | 1.676               | 2.095                |
| Fabric gr. 4 | Acca, Cifrado, Ecriture, Moss, Uniform Melange, Vidar | 3-6 weeks | 2.032               | 2.540                |
| Fabric gr. 5 | Karakorum, Sisu                                       | 3-6 weeks | 2.512               | 3.140                |
| Fabric gr. 6 | Fuse, Gentle  | 3-6 weeks | 2.752               | 3.440                |
| Leather      | Tailor Semi-aniline leather                           | 3-6 weeks | 1.912               | 2.390                |
| Leather      | Noble Aniline leather                                 | 3-6 weeks | 2.032               | 2.540                |
| Leather      | Elmosoft Semi-aniline leather                         | 3-6 weeks | 2.512               | 3.140                |
| Fabric COM   | COM Fabric  | 3-6 weeks | 1.196               | 1.495                |

**Material:** Shell made from 100% recycled polypropylene with fiber glass, covered in HR foam with fabric or leather upholstery, aluminium swivel base.

**Fabric usage:** 1.9 meter (Shell: 1.2 meters / Seat: 0.7 meter).

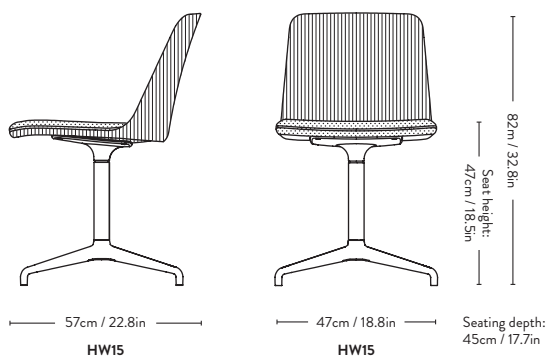
**Leather usage:** 2.9 square meters (Shell: 2 sqm / Seat: 0.9 sqm) based on a yield of 60% pr hide.

COM must be approved by &Tradition to ensure suitability for upholstery.

Plastic gliders installed as standard.

Felt gliders available upon request.

Minimum order quantity of same variant: 4 pcs.



# Rely HW16

## Hee Welling

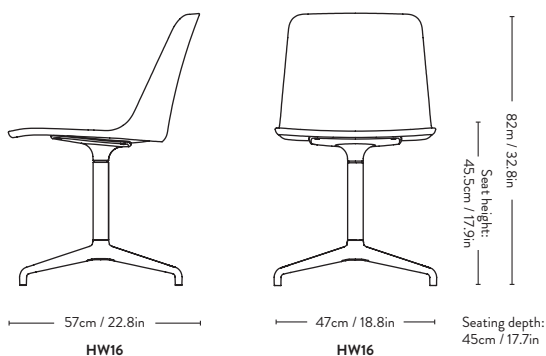
### 2020



| Item code | Shell Colour  | Model | Base                               | Lead time | Weight  | PRICE EX. VAT (SEK) | PRICE INC. VAT (SEK) |
|-----------|---------------|-------|------------------------------------|-----------|---------|---------------------|----------------------|
| HW        | Black         | HW16  | Black, Bronzed, Polished Aluminium | 2-3 weeks | 7.80 kg | 3.576               | 4.470                |
| HW        | White         | HW16  | Black, Bronzed, Polished Aluminium | 2-3 weeks | 7.80 kg | 3.576               | 4.470                |
| HW        | Beige Sand    | HW16  | Black, Bronzed, Polished Aluminium | 2-3 weeks | 7.80 kg | 3.576               | 4.470                |
| HW        | Red Brown     | HW16  | Black, Bronzed, Polished Aluminium | 2-3 weeks | 7.80 kg | 3.576               | 4.470                |
| HW        | Light Blue    | HW16  | Black, Bronzed, Polished Aluminium | 2-3 weeks | 7.80 kg | 3.576               | 4.470                |
| HW        | Stone Grey    | HW16  | Black, Bronzed, Polished Aluminium | 2-3 weeks | 7.80 kg | 3.576               | 4.470                |
| HW        | Vermilion red | HW16  | Black, Bronzed, Polished Aluminium | 2-3 weeks | 7.80 kg | 3.576               | 4.470                |
| HW        | Bronze green  | HW16  | Black, Bronzed, Polished Aluminium | 2-3 weeks | 7.80 kg | 3.576               | 4.470                |
| HW        | Soft Pink     | HW16  | Black, Bronzed, Polished Aluminium | 2-3 weeks | 7.80 kg | 3.576               | 4.470                |

**Material:** Shell made from 100% recycled polypropylene with fiber glass, aluminium swivel base with return.

Plastic gliders installed as standard.  
Felt gliders available upon request.



# Rely <sup>HW17</sup> Hee Welling 2020



| Price group  | Shell Colour  | Seat Cushion Upholstery                               | Base                               | Lead time | Weight  | PRICE EX. VAT (SEK) | PRICE INC. VAT (SEK) |
|--------------|---|---|------------------------------------|-----------|---------|---------------------|----------------------|
| Fabric gr. 1 | Black, White, Beige Sand, Red Brown, Light Blue, Stone Grey, Vermilion red, Bronze green, Soft Pink | Hot Madison, Remix, Re-Wool                           | Black, Bronzed, Polished Aluminium | 3-6 weeks | 9.10 kg | 5.128               | 6.410                |
| Fabric gr. 2 | Black, White, Beige Sand, Red Brown, Light Blue, Stone Grey, Vermilion red, Bronze green, Soft Pink | Canvas, Barnum, Fiord, Ritz                           | Black, Bronzed, Polished Aluminium | 3-6 weeks | 9.10 kg | 5.488               | 6.860                |
| Fabric gr. 3 | Black, White, Beige Sand, Red Brown, Light Blue, Stone Grey, Vermilion red, Bronze green, Soft Pink | Clay, Hallingdal, Steelcut Quartet, Steelcut Trio     | Black, Bronzed, Polished Aluminium | 3-6 weeks | 9.10 kg | 5.604               | 7.005                |
| Fabric gr. 4 | Black, White, Beige Sand, Red Brown, Light Blue, Stone Grey, Vermilion red, Bronze green, Soft Pink | Acca, Cifrado, Ecriture, Moss, Uniform Melange, Vidar | Black, Bronzed, Polished Aluminium | 3-6 weeks | 9.10 kg | 5.964               | 7.455                |
| Fabric gr. 5 | Black, White, Beige Sand, Red Brown, Light Blue, Stone Grey, Vermilion red, Bronze green, Soft Pink | Karakorum, Sisu                                       | Black, Bronzed, Polished Aluminium | 3-6 weeks | 9.10 kg | 6.440               | 8.050                |
| Fabric gr. 6 | Black, White, Beige Sand, Red Brown, Light Blue, Stone Grey, Vermilion red, Bronze green, Soft Pink | Fuse, Gentle  | Black, Bronzed, Polished Aluminium | 3-6 weeks | 9.10 kg | 7.040               | 8.800                |
| Leather      | Black, White, Beige Sand, Red Brown, Light Blue, Stone Grey, Vermilion red, Bronze green, Soft Pink | Tailor Semi-aniline leather                           | Black, Bronzed, Polished Aluminium | 3-6 weeks | 9.10 kg | 5.604               | 7.005                |
| Leather      | Black, White, Beige Sand, Red Brown, Light Blue, Stone Grey, Vermilion red, Bronze green, Soft Pink | Noble Aniline leather                                 | Black, Bronzed, Polished Aluminium | 3-6 weeks | 9.10 kg | 5.964               | 7.455                |
| Leather      | Black, White, Beige Sand, Red Brown, Light Blue, Stone Grey, Vermilion red, Bronze green, Soft Pink | Elmosoft Semi-aniline leather                         | Black, Bronzed, Polished Aluminium | 3-6 weeks | 9.10 kg | 6.324               | 7.905                |
| Fabric COM   | Black, White, Beige Sand, Red Brown, Light Blue, Stone Grey, Vermilion red, Bronze green, Soft Pink | COM Fabric  | Black, Bronzed, Polished Aluminium | 3-6 weeks | 9.10 kg | 5.128               | 6.410                |

**Material:** Shell made from 100% recycled polypropylene with fiber glass, seat covered in HR foam with fabric or leather upholstery, aluminium swivel base with return function.

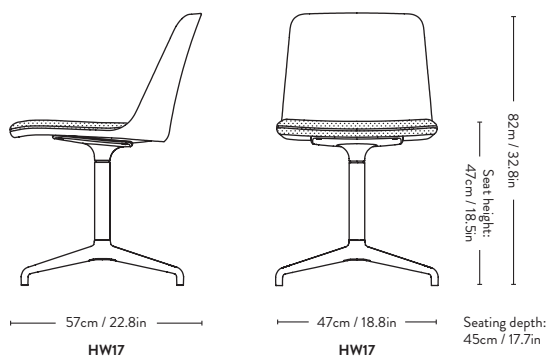
**Fabric usage:** 0.49 meter based on a 140 cm roll.

**Leather usage:** 1 square meter based on a yield of 60% pr hide.

COM must be approved by &Tradition to ensure suitability for upholstery.

Plastic gliders installed as standard.

Felt gliders available upon request.



# Rely <sup>HW18</sup> Hee Welling 2020



| Price group  | Upholstery  | Model | Base                               | Lead time | Weight  | PRICE EX. VAT (SEK) | PRICE INC. VAT (SEK) |
|--------------|---|-------|------------------------------------|-----------|---------|---------------------|----------------------|
| Fabric gr. 1 | Hot Madison, Remix, Re-Wool                           | HW18  | Black, Bronzed, Polished Aluminium | 3-6 weeks | 8.30 kg | 5.844               | 7.305                |
| Fabric gr. 2 | Canvas, Barnum, Fiord, Ritz                           | HW18  | Black, Bronzed, Polished Aluminium | 3-6 weeks | 8.30 kg | 6.560               | 8.200                |
| Fabric gr. 3 | Clay, Hallingdal, Steelcut Quartet, Steelcut Trio     | HW18  | Black, Bronzed, Polished Aluminium | 3-6 weeks | 8.30 kg | 6.800               | 8.500                |
| Fabric gr. 4 | Acca, Cifrado, Ecriture, Moss, Uniform Melange, Vidar | HW18  | Black, Bronzed, Polished Aluminium | 3-6 weeks | 8.30 kg | 7.396               | 9.245                |
| Fabric gr. 5 | Karakorum, Sisu                                       | HW18  | Black, Bronzed, Polished Aluminium | 3-6 weeks | 8.30 kg | 8.828               | 11.035               |
| Fabric gr. 6 | Fuse, Gentle  | HW18  | Black, Bronzed, Polished Aluminium | 3-6 weeks | 8.30 kg | 9.664               | 12.080               |
| Leather      | Tailor Semi-aniline leather                           | HW18  | Black, Bronzed, Polished Aluminium | 3-6 weeks | 8.30 kg | 7.756               | 9.695                |
| Leather      | Noble Aniline leather                                 | HW18  | Black, Bronzed, Polished Aluminium | 3-6 weeks | 8.30 kg | 8.112               | 10.140               |
| Leather      | Elmosoft Semi-aniline leather                         | HW18  | Black, Bronzed, Polished Aluminium | 3-6 weeks | 8.30 kg | 8.592               | 10.740               |
| Fabric COM   | COM Fabric  | HW18  | Black, Bronzed, Polished Aluminium | 3-6 weeks | 8.30 kg | 5.844               | 7.305                |

**Material:** Shell made from 100% recycled polypropylene with fiber glass, covered in HR foam with fabric or leather upholstery, aluminium swivel base with return function.

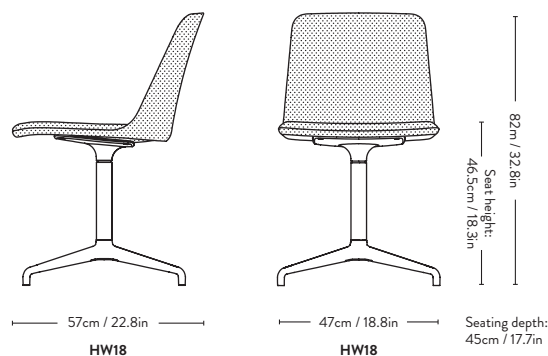
**Fabric usage:** 1.40 meters based on a 140cm roll.

**Leather usage:** 2.2 square meters based on a yield of 60% pr hide.

COM must be approved by &Tradition to ensure suitability for upholstery.

Plastic gliders installed as standard.

Felt gliders available upon request.



# Rely HW19

## Hee Welling

### 2020



| Price group  | Upholstery  | Model | Base                               | Lead time | Weight  | PRICE EX. VAT (SEK) | PRICE INC. VAT (SEK) |
|--------------|---|-------|------------------------------------|-----------|---------|---------------------|----------------------|
| Fabric gr. 1 | Hot Madison, Remix, Re-Wool                           | HW19  | Black, Bronzed, Polished Aluminium | 3-6 weeks | 9.40 kg | 6.084               | 7.605                |
| Fabric gr. 2 | Canvas, Barnum, Fiord, Ritz                           | HW19  | Black, Bronzed, Polished Aluminium | 3-6 weeks | 9.40 kg | 6.800               | 8.500                |
| Fabric gr. 3 | Clay, Hallingdal, Steelcut Quartet, Steelcut Trio     | HW19  | Black, Bronzed, Polished Aluminium | 3-6 weeks | 9.40 kg | 7.040               | 8.800                |
| Fabric gr. 4 | Acca, Cifrado, Ecriture, Moss, Uniform Melange, Vidar | HW19  | Black, Bronzed, Polished Aluminium | 3-6 weeks | 9.40 kg | 7.636               | 9.545                |
| Fabric gr. 5 | Karakorum, Sisu                                       | HW19  | Black, Bronzed, Polished Aluminium | 3-6 weeks | 9.40 kg | 9.068               | 11.335               |
| Fabric gr. 6 | Fuse, Gentle  | HW19  | Black, Bronzed, Polished Aluminium | 3-6 weeks | 9.40 kg | 10.024              | 12.530               |
| Leather      | Tailor Semi-aniline leather                           | HW19  | Black, Bronzed, Polished Aluminium | 3-6 weeks | 9.40 kg | 7.996               | 9.995                |
| Leather      | Noble Aniline leather                                 | HW19  | Black, Bronzed, Polished Aluminium | 3-6 weeks | 9.40 kg | 8.352               | 10.440               |
| Leather      | Elmosoft Semi-aniline leather                         | HW19  | Black, Bronzed, Polished Aluminium | 3-6 weeks | 9.40 kg | 9.188               | 11.485               |
| Fabric COM   | COM Fabric  | HW19  | Black, Bronzed, Polished Aluminium | 3-6 weeks | 9.40 kg | 6.084               | 7.605                |

**Material:** Shell made from 100% recycled polypropylene with fiber glass, covered in HR foam with fabric or leather upholstery, aluminium swivel base with return function.

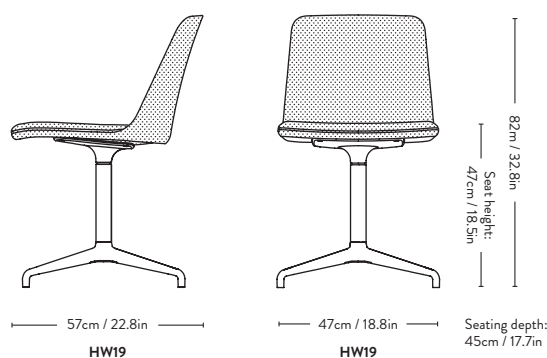
**Fabric usage:** 1.8 meters based on a 140cm roll.

**Leather usage:** 2.7 square meters based on a yield of 60% pr hide.

COM must be approved by &Tradition to ensure suitability for upholstery.

Plastic gliders installed as standard.

Felt gliders available upon request.



# Rely HW20

## Hee Welling

### 2020



Please note that price is accumulated price of shell & seat.

| Price group  | Shell Upholstery                                      | Base                               | Lead time | Weight  | PRICE EX. VAT (SEK) | PRICE INC. VAT (SEK) |
|--------------|---|------------------------------------|-----------|---------|---------------------|----------------------|
| Fabric gr. 1 | Hot Madison, Remix, Re-Wool                           | Black, Bronzed, Polished Aluminium | 3-6 weeks | 9.40 kg | 4.896               | 6.120                |
| Fabric gr. 2 | Canvas, Barnum, Fiord, Ritz                           | Black, Bronzed, Polished Aluminium | 3-6 weeks | 9.40 kg | 5.256               | 6.570                |
| Fabric gr. 3 | Clay, Hallingdal, Steelcut Quartet, Steelcut Trio     | Black, Bronzed, Polished Aluminium | 3-6 weeks | 9.40 kg | 5.376               | 6.720                |
| Fabric gr. 4 | Acca, Cifrado, Ecriture, Moss, Uniform Melange, Vidar | Black, Bronzed, Polished Aluminium | 3-6 weeks | 9.40 kg | 5.608               | 7.010                |
| Fabric gr. 5 | Karakorum, Sisu                                       | Black, Bronzed, Polished Aluminium | 3-6 weeks | 9.40 kg | 6.572               | 8.215                |
| Fabric gr. 6 | Fuse, Gentle  | Black, Bronzed, Polished Aluminium | 3-6 weeks | 9.40 kg | 7.288               | 9.110                |
| Leather      | Tailor Semi-aniline leather                           | Black, Bronzed, Polished Aluminium | 3-6 weeks | 9.40 kg | 6.092               | 7.615                |
| Leather      | Noble Aniline leather                                 | Black, Bronzed, Polished Aluminium | 3-6 weeks | 9.40 kg | 6.332               | 7.915                |
| Leather      | Elmosoft Semi-aniline leather                         | Black, Bronzed, Polished Aluminium | 3-6 weeks | 9.40 kg | 6.692               | 8.365                |
| Fabric COM   | COM Fabric  | Black, Bronzed, Polished Aluminium | 3-6 weeks | 9.40 kg | 4.896               | 6.120                |

| Price group  | Seat Upholstery                                       | Lead time | PRICE EX. VAT (SEK) | PRICE INC. VAT (SEK) |
|--------------|---|-----------|---------------------|----------------------|
| Fabric gr. 1 | Hot Madison, Remix, Re-Wool                           | 3-6 weeks | 1.196               | 1.495                |
| Fabric gr. 2 | Canvas, Barnum, Fiord, Ritz                           | 3-6 weeks | 1.556               | 1.945                |
| Fabric gr. 3 | Clay, Hallingdal, Steelcut Quartet, Steelcut Trio     | 3-6 weeks | 1.676               | 2.095                |
| Fabric gr. 4 | Acca, Cifrado, Ecriture, Moss, Uniform Melange, Vidar | 3-6 weeks | 2.032               | 2.540                |
| Fabric gr. 5 | Karakorum, Sisu                                       | 3-6 weeks | 2.512               | 3.140                |
| Fabric gr. 6 | Fuse, Gentle  | 3-6 weeks | 2.752               | 3.440                |
| Leather      | Tailor Semi-aniline leather                           | 3-6 weeks | 1.912               | 2.390                |
| Leather      | Noble Aniline leather                                 | 3-6 weeks | 2.032               | 2.540                |
| Leather      | Elmosoft Semi-aniline leather                         | 3-6 weeks | 2.512               | 3.140                |
| Fabric COM   | COM Fabric  | 3-6 weeks | 1.196               | 1.495                |

**Material:** Shell made from 100% recycled polypropylene with fiber glass, covered in HR foam with fabric or leather upholstery, aluminium swivel base with return function.

**Fabric usage:** 1.9 meter (Shell: 1.2 meters / Seat: 0.7 meter).

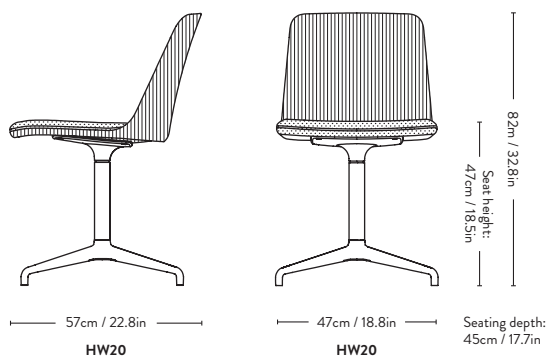
**Leather usage:** 2.9 square meters (Shell: 2 sqm / Seat: 0.9 sqm) based on a yield of 60% pr hide.

COM must be approved by &Tradition to ensure suitability for upholstery.

Plastic gliders installed as standard.

Felt gliders available upon request.

Minimum order quantity of same variant: 4 pcs.





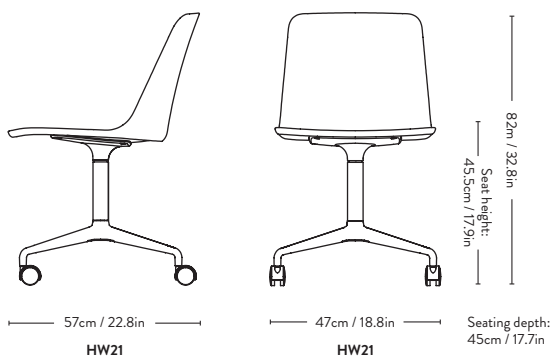
# Rely <sup>HW21</sup> Hee Welling 2020



| Item code | Shell Colour  | Model | Base                               | Lead time | Weight  | PRICE EX. VAT (SEK) | PRICE INC. VAT (SEK) |
|-----------|---------------|-------|------------------------------------|-----------|---------|---------------------|----------------------|
| HW        | Black         | HW21  | Black, Bronzed, Polished Aluminium | 2-3 weeks | 7.80 kg | 3.576               | 4.470                |
| HW        | White         | HW21  | Black, Bronzed, Polished Aluminium | 2-3 weeks | 7.80 kg | 3.576               | 4.470                |
| HW        | Beige Sand    | HW21  | Black, Bronzed, Polished Aluminium | 2-3 weeks | 7.80 kg | 3.576               | 4.470                |
| HW        | Red Brown     | HW21  | Black, Bronzed, Polished Aluminium | 2-3 weeks | 7.80 kg | 3.576               | 4.470                |
| HW        | Light Blue    | HW21  | Black, Bronzed, Polished Aluminium | 2-3 weeks | 7.80 kg | 3.576               | 4.470                |
| HW        | Stone Grey    | HW21  | Black, Bronzed, Polished Aluminium | 2-3 weeks | 7.80 kg | 3.576               | 4.470                |
| HW        | Vermilion red | HW21  | Black, Bronzed, Polished Aluminium | 2-3 weeks | 7.80 kg | 3.576               | 4.470                |
| HW        | Bronze green  | HW21  | Black, Bronzed, Polished Aluminium | 2-3 weeks | 7.80 kg | 3.576               | 4.470                |
| HW        | Soft Pink     | HW21  | Black, Bronzed, Polished Aluminium | 2-3 weeks | 7.80 kg | 3.576               | 4.470                |

**Material:** Shell made from 100% recycled polypropylene with fiber glass, aluminium swivel base with castors.

Castors suitable for all floor types.



# Rely HW22

## Hee Welling

### 2020



| Price group  | Shell Colour  | Seat Cushion Upholstery                               | Base                               | Lead time | Weight  | PRICE EX. VAT (SEK) | PRICE INC. VAT (SEK) |
|--------------|---|---|------------------------------------|-----------|---------|---------------------|----------------------|
| Fabric gr. 1 | Black, White, Beige Sand, Red Brown, Light Blue, Stone Grey, Vermilion red, Bronze green, Soft Pink | Hot Madison, Remix, Re-Wool                           | Black, Bronzed, Polished Aluminium | 3-6 weeks | 9.10 kg | 5.128               | 6.410                |
| Fabric gr. 2 | Black, White, Beige Sand, Red Brown, Light Blue, Stone Grey, Vermilion red, Bronze green, Soft Pink | Canvas, Barnum, Fiord, Ritz                           | Black, Bronzed, Polished Aluminium | 3-6 weeks | 9.10 kg | 5.488               | 6.860                |
| Fabric gr. 3 | Black, White, Beige Sand, Red Brown, Light Blue, Stone Grey, Vermilion red, Bronze green, Soft Pink | Clay, Hallingdal, Steelcut Quartet, Steelcut Trio     | Black, Bronzed, Polished Aluminium | 3-6 weeks | 9.10 kg | 5.604               | 7.005                |
| Fabric gr. 4 | Black, White, Beige Sand, Red Brown, Light Blue, Stone Grey, Vermilion red, Bronze green, Soft Pink | Acca, Cifrado, Ecriture, Moss, Uniform Melange, Vidar | Black, Bronzed, Polished Aluminium | 3-6 weeks | 9.10 kg | 5.844               | 7.305                |
| Fabric gr. 5 | Black, White, Beige Sand, Red Brown, Light Blue, Stone Grey, Vermilion red, Bronze green, Soft Pink | Karakorum, Sisu                                       | Black, Bronzed, Polished Aluminium | 3-6 weeks | 9.10 kg | 6.440               | 8.050                |
| Fabric gr. 6 | Black, White, Beige Sand, Red Brown, Light Blue, Stone Grey, Vermilion red, Bronze green, Soft Pink | Fuse, Gentle  | Black, Bronzed, Polished Aluminium | 3-6 weeks | 9.10 kg | 7.040               | 8.800                |
| Leather      | Black, White, Beige Sand, Red Brown, Light Blue, Stone Grey, Vermilion red, Bronze green, Soft Pink | Tailor Semi-aniline leather                           | Black, Bronzed, Polished Aluminium | 3-6 weeks | 9.10 kg | 5.724               | 7.155                |
| Leather      | Black, White, Beige Sand, Red Brown, Light Blue, Stone Grey, Vermilion red, Bronze green, Soft Pink | Noble Aniline leather                                 | Black, Bronzed, Polished Aluminium | 3-6 weeks | 9.10 kg | 6.084               | 7.605                |
| Leather      | Black, White, Beige Sand, Red Brown, Light Blue, Stone Grey, Vermilion red, Bronze green, Soft Pink | Elmosoft Semi-aniline leather                         | Black, Bronzed, Polished Aluminium | 3-6 weeks | 9.10 kg | 6.440               | 8.050                |
| Fabric COM   | Black, White, Beige Sand, Red Brown, Light Blue, Stone Grey, Vermilion red, Bronze green, Soft Pink | COM Fabric  | Black, Bronzed, Polished Aluminium | 3-6 weeks | 9.10 kg | 5.128               | 6.410                |

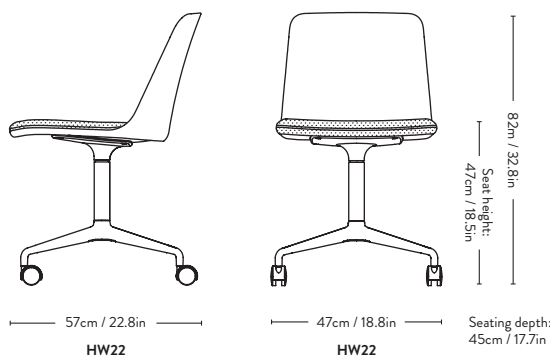
**Material:** Shell made from 100% recycled polypropylene with fiber glass, seat covered in HR foam with fabric or leather upholstery, aluminium swivel base with castors.

**Fabric usage:** 0.49 meter

**Leather usage:** 1 square meter based on a yield of 60% pr hide.

COM must be approved by &Tradition to ensure suitability for upholstery.

Castors suitable for all floor types.



# Rely HW23

## Hee Welling

### 2020



| Price group  | Upholstery  | Model | Base                               | Lead time | Weight  | PRICE EX. VAT (SEK) | PRICE INC. VAT (SEK) |
|--------------|---|-------|------------------------------------|-----------|---------|---------------------|----------------------|
| Fabric gr. 1 | Hot Madison, Remix, Re-Wool                           | HW23  | Black, Bronzed, Polished Aluminium | 3-6 weeks | 8.30 kg | 5.844               | 7.305                |
| Fabric gr. 2 | Canvas, Barnum, Fiord, Ritz                           | HW23  | Black, Bronzed, Polished Aluminium | 3-6 weeks | 8.30 kg | 6.560               | 8.200                |
| Fabric gr. 3 | Clay, Hallingdal, Steelcut Quartet, Steelcut Trio     | HW23  | Black, Bronzed, Polished Aluminium | 3-6 weeks | 8.30 kg | 6.800               | 8.500                |
| Fabric gr. 4 | Acca, Cifrado, Ecriture, Moss, Uniform Melange, Vidar | HW23  | Black, Bronzed, Polished Aluminium | 3-6 weeks | 8.30 kg | 7.396               | 9.245                |
| Fabric gr. 5 | Karakorum, Sisu                                       | HW23  | Black, Bronzed, Polished Aluminium | 3-6 weeks | 8.30 kg | 8.828               | 11.035               |
| Fabric gr. 6 | Fuse, Gentle  | HW23  | Black, Bronzed, Polished Aluminium | 3-6 weeks | 8.30 kg | 9.664               | 12.080               |
| Leather      | Tailor Semi-aniline leather                           | HW23  | Black, Bronzed, Polished Aluminium | 3-6 weeks | 8.30 kg | 7.756               | 9.695                |
| Leather      | Noble Aniline leather                                 | HW23  | Black, Bronzed, Polished Aluminium | 3-6 weeks | 8.30 kg | 8.112               | 10.140               |
| Leather      | Elmosoft Semi-aniline leather                         | HW23  | Black, Bronzed, Polished Aluminium | 3-6 weeks | 8.30 kg | 8.712               | 10.890               |
| Fabric COM   | COM Fabric  | HW23  | Black, Bronzed, Polished Aluminium | 3-6 weeks | 8.30 kg | 5.844               | 7.305                |

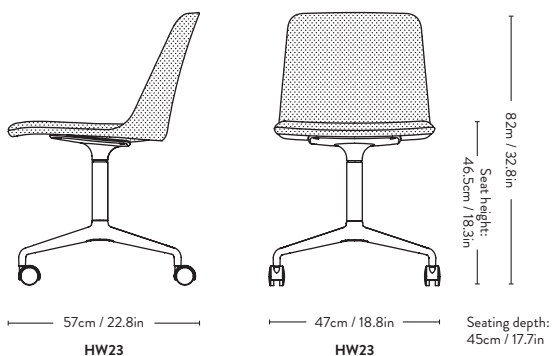
**Material:** Shell made from 100% recycled polypropylene with fiber glass, covered in HR foam with fabric or leather upholstery, aluminium swivel base with castors.

**Fabric usage:** 1.40 meters based on a 140cm roll.

**Leather usage:** 2.2 square meters based on a yield of 60% pr hide.

COM must be approved by &Tradition to ensure suitability for upholstery.

Castors suitable for all floor types.



# Rely HW24

## Hee Welling

### 2020



| Price group  | Upholstery  | Model | Base                               | Lead time | Weight  | PRICE EX. VAT (SEK) | PRICE INC. VAT (SEK) |
|--------------|---|-------|------------------------------------|-----------|---------|---------------------|----------------------|
| Fabric gr. 1 | Hot Madison, Remix, Re-Wool                           | HW24  | Black, Bronzed, Polished Aluminium | 3-6 weeks | 9.40 kg | 6.084               | 7.605                |
| Fabric gr. 2 | Canvas, Barnum, Fiord, Ritz                           | HW24  | Black, Bronzed, Polished Aluminium | 3-6 weeks | 9.40 kg | 6.800               | 8.500                |
| Fabric gr. 3 | Clay, Hallingdal, Steelcut Quartet, Steelcut Trio     | HW24  | Black, Bronzed, Polished Aluminium | 3-6 weeks | 9.40 kg | 7.040               | 8.800                |
| Fabric gr. 4 | Acca, Cifrado, Ecriture, Moss, Uniform Melange, Vidar | HW24  | Black, Bronzed, Polished Aluminium | 3-6 weeks | 9.40 kg | 7.636               | 9.545                |
| Fabric gr. 5 | Karakorum, Sisu                                       | HW24  | Black, Bronzed, Polished Aluminium | 3-6 weeks | 9.40 kg | 9.068               | 11.335               |
| Fabric gr. 6 | Fuse, Gentle  | HW24  | Black, Bronzed, Polished Aluminium | 3-6 weeks | 9.40 kg | 10.024              | 12.530               |
| Leather      | Tailor Semi-aniline leather                           | HW24  | Black, Bronzed, Polished Aluminium | 3-6 weeks | 9.40 kg | 7.996               | 9.995                |
| Leather      | Noble Aniline leather                                 | HW24  | Black, Bronzed, Polished Aluminium | 3-6 weeks | 9.40 kg | 8.352               | 10.440               |
| Leather      | Elmosoft Semi-aniline leather                         | HW24  | Black, Bronzed, Polished Aluminium | 3-6 weeks | 9.40 kg | 9.188               | 11.485               |
| Fabric COM   | COM Fabric  | HW24  | Black, Bronzed, Polished Aluminium | 3-6 weeks | 9.40 kg | 6.084               | 7.605                |

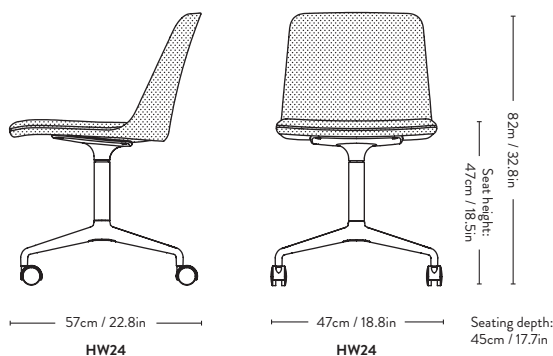
**Material:** Shell made from 100% recycled polypropylene with fiber glass, covered in HR foam with fabric or leather upholstery, aluminium swivel base with castors.

**Fabric usage:** 1.8 meters based on a 140cm roll.

**Leather usage:** 2.7 square meters based on a yield of 60% pr hide.

COM must be approved by &Tradition to ensure suitability for upholstery.

Castors suitable for all floor types.



# Rely <sup>HW25</sup> Hee Welling 2020



Please note that price is accumulated price of shell & seat.

| Price group  | Shell Upholstery                                      | Base                               | Lead time | Weight  | PRICE EX. VAT (SEK) | PRICE INC. VAT (SEK) |
|--------------|---|------------------------------------|-----------|---------|---------------------|----------------------|
| Fabric gr. 1 | Hot Madison, Remix, Re-Wool                           | Black, Bronzed, Polished Aluminium | 3-6 weeks | 9.40 kg | 4.896               | 6.120                |
| Fabric gr. 2 | Canvas, Barnum, Fiord, Ritz                           | Black, Bronzed, Polished Aluminium | 3-6 weeks | 9.40 kg | 5.256               | 6.570                |
| Fabric gr. 3 | Clay, Hallingdal, Steelcut Quartet, Steelcut Trio     | Black, Bronzed, Polished Aluminium | 3-6 weeks | 9.40 kg | 5.376               | 6.720                |
| Fabric gr. 4 | Acca, Cifrado, Ecriture, Moss, Uniform Melange, Vidar | Black, Bronzed, Polished Aluminium | 3-6 weeks | 9.40 kg | 5.608               | 7.010                |
| Fabric gr. 5 | Karakorum, Sisu                                       | Black, Bronzed, Polished Aluminium | 3-6 weeks | 9.40 kg | 6.572               | 8.215                |
| Fabric gr. 6 | Fuse, Gentle  | Black, Bronzed, Polished Aluminium | 3-6 weeks | 9.40 kg | 7.288               | 9.110                |
| Leather      | Tailor Semi-aniline leather                           | Black, Bronzed, Polished Aluminium | 3-6 weeks | 9.40 kg | 6.092               | 7.615                |
| Leather      | Noble Aniline leather                                 | Black, Bronzed, Polished Aluminium | 3-6 weeks | 9.40 kg | 6.332               | 7.915                |
| Leather      | Elmosoft Semi-aniline leather                         | Black, Bronzed, Polished Aluminium | 3-6 weeks | 9.40 kg | 6.692               | 8.365                |
| Fabric COM   | COM Fabric  | Black, Bronzed, Polished Aluminium | 3-6 weeks | 9.40 kg | 4.896               | 6.120                |

| Price group  | Seat Upholstery                                       | Lead time | PRICE EX. VAT (SEK) | PRICE INC. VAT (SEK) |
|--------------|---|-----------|---------------------|----------------------|
| Fabric gr. 1 | Hot Madison, Remix, Re-Wool                           | 3-6 weeks | 1.196               | 1.495                |
| Fabric gr. 2 | Canvas, Barnum, Fiord, Ritz                           | 3-6 weeks | 1.556               | 1.945                |
| Fabric gr. 3 | Clay, Hallingdal, Steelcut Quartet, Steelcut Trio     | 3-6 weeks | 1.676               | 2.095                |
| Fabric gr. 4 | Acca, Cifrado, Ecriture, Moss, Uniform Melange, Vidar | 3-6 weeks | 2.032               | 2.540                |
| Fabric gr. 5 | Karakorum, Sisu                                       | 3-6 weeks | 2.512               | 3.140                |
| Fabric gr. 6 | Fuse, Gentle  | 3-6 weeks | 2.752               | 3.440                |
| Leather      | Tailor Semi-aniline leather                           | 3-6 weeks | 1.912               | 2.390                |
| Leather      | Noble Aniline leather                                 | 3-6 weeks | 2.032               | 2.540                |
| Leather      | Elmosoft Semi-aniline leather                         | 3-6 weeks | 2.512               | 3.140                |
| Fabric COM   | COM Fabric  | 3-6 weeks | 1.196               | 1.495                |

**Material:** Shell made from 100% recycled polypropylene with fiber glass, covered in HR foam with fabric or leather upholstery, aluminium swivel base with castors.

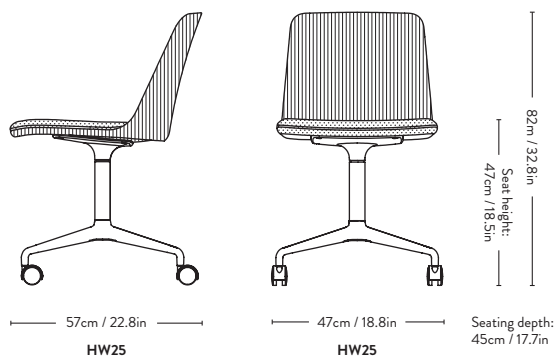
**Fabric usage:** 1.9 meter (Shell: 1.2 meters / Seat: 0.7 meter).

**Leather usage:** 2.9 square meters (Shell: 2 sqm / Seat: 0.9 sqm) based on a yield of 60% pr hide.

COM must be approved by &Tradition to ensure suitability for upholstery.

Castors suitable for all floor types.

Minimum order quantity of same variant: 4 pcs.



# Rely <sup>HW26</sup> Hee Welling 2020



| Item code       | Shell Colour          | Model | Base          | Lead time | Weight  | PRICE EX. VAT (SEK) | PRICE INC. VAT (SEK) |
|-----------------|-----------------------|-------|---------------|-----------|---------|---------------------|----------------------|
| HW              | Black                 | HW26  | Chrome, Black | 2-3 weeks | 5.20 kg | 2.264               | 2.830                |
| HW              | White                 | HW26  | Chrome, Black | 2-3 weeks | 5.20 kg | 2.264               | 2.830                |
| HW              | Beige Sand            | HW26  | Chrome, Black | 2-3 weeks | 5.20 kg | 2.264               | 2.830                |
| HW              | Red Brown             | HW26  | Chrome, Black | 2-3 weeks | 5.20 kg | 2.264               | 2.830                |
| HW              | Light Blue            | HW26  | Chrome, Black | 2-3 weeks | 5.20 kg | 2.264               | 2.830                |
| HW              | Stone Grey            | HW26  | Chrome, Black | 2-3 weeks | 5.20 kg | 2.264               | 2.830                |
| HW              | Vermilion red         | HW26  | Chrome, Black | 2-3 weeks | 5.20 kg | 2.264               | 2.830                |
| HW              | Bronze green          | HW26  | Chrome, Black | 2-3 weeks | 5.20 kg | 2.264               | 2.830                |
| HW              | Soft Pink             | HW26  | Chrome, Black | 2-3 weeks | 5.20 kg | 2.264               | 2.830                |
| <b>16000000</b> | Rely stacking trolley |       |               | 2-3 weeks |         | <b>5.368</b>        | <b>6.710</b>         |

**Material:** Shell made from 100% recycled polypropylene with fiber glass and a steel tube base.

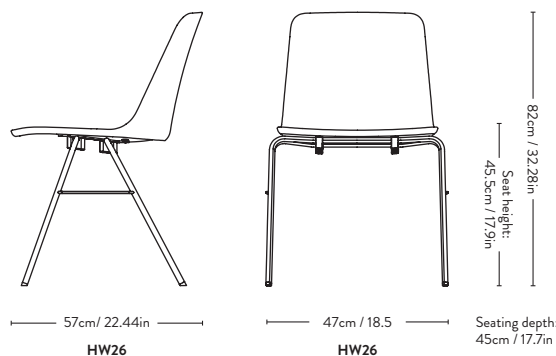
Wagner QuickClick Plast gliders are installed as standard.  
Wagner QuickClick Felt gliders available upon request.

Stacking quantity: 12 pcs (Chrome only).



EU Ecolabel certified, validating high standards of durability, circular design, and responsible use of chemicals. Please contact our sales team for a list of EU Ecolabel compliant combinations.

EU Ecolabel : DK/049/019



# Rely HW27

## Hee Welling

### 2020



| Item code       | Shell Colour          | Model | Base   | Lead time | Weight  | PRICE EX. VAT (SEK) | PRICE INC. VAT (SEK) |
|-----------------|-----------------------|-------|--------|-----------|---------|---------------------|----------------------|
| HW              | Black                 | HW27  | Chrome | 2-3 weeks | 5.20 kg | 2.384               | 2.980                |
| HW              | White                 | HW27  | Chrome | 2-3 weeks | 5.20 kg | 2.384               | 2.980                |
| HW              | Beige Sand            | HW27  | Chrome | 2-3 weeks | 5.20 kg | 2.384               | 2.980                |
| HW              | Red Brown             | HW27  | Chrome | 2-3 weeks | 5.20 kg | 2.384               | 2.980                |
| HW              | Light Blue            | HW27  | Chrome | 2-3 weeks | 5.20 kg | 2.384               | 2.980                |
| HW              | Stone Grey            | HW27  | Chrome | 2-3 weeks | 5.20 kg | 2.384               | 2.980                |
| HW              | Vermilion red         | HW27  | Chrome | 2-3 weeks | 5.20 kg | 2.384               | 2.980                |
| HW              | Bronze green          | HW27  | Chrome | 2-3 weeks | 5.20 kg | 2.384               | 2.980                |
| HW              | Soft Pink             | HW27  | Chrome | 2-3 weeks | 5.20 kg | 2.384               | 2.980                |
| <b>16000000</b> | Rely stacking trolley |       |        | 2-3 weeks |         | <b>5.368</b>        | <b>6.710</b>         |

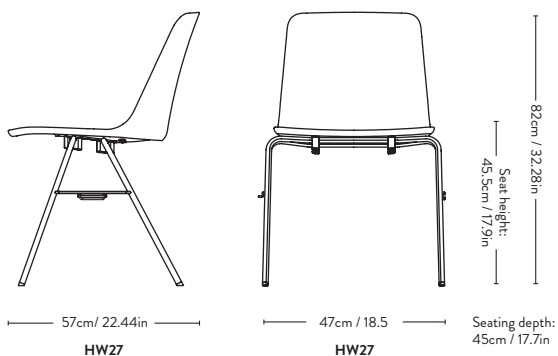
**Material:** Shell made from 100% recycled polypropylene with fiber glass and a steel tube base.

Wagner QuickClick Plast gliders are installed as standard.  
Wagner QuickClick Felt gliders available upon request.

Stacking quantity: 12 pcs



EU Ecolabel certified, validating high standards of durability, circular design, and responsible use of chemicals. Please contact our sales team for a list of EU Ecolabel compliant combinations.



# Rely <sup>HW65</sup> Hee Welling 2023



| Item code       | Shell Colour          | Model | Base                    | Colli qty. | Lead time | Weight | PRICE EX. VAT (SEK) | PRICE INC. VAT (SEK) |
|-----------------|-----------------------|-------|-------------------------|------------|-----------|--------|---------------------|----------------------|
| HW              | Black                 | HW65  | Black Chrome <b>NEW</b> | 1 pc       | 2-3 weeks | 5.5 kg | 2.264               | 2.830                |
| HW              | White                 | HW65  | Black Chrome <b>NEW</b> | 1 pc       | 2-3 weeks | 5.5 kg | 2.264               | 2.830                |
| HW              | Beige Sand            | HW65  | Black Chrome <b>NEW</b> | 1 pc       | 2-3 weeks | 5.5 kg | 2.264               | 2.830                |
| HW              | Red Brown             | HW65  | Black Chrome <b>NEW</b> | 1 pc       | 2-3 weeks | 5.5 kg | 2.264               | 2.830                |
| HW              | Light Blue            | HW65  | Black Chrome <b>NEW</b> | 1 pc       | 2-3 weeks | 5.5 kg | 2.264               | 2.830                |
| HW              | Stone Grey            | HW65  | Black Chrome <b>NEW</b> | 1 pc       | 2-3 weeks | 5.5 kg | 2.264               | 2.830                |
| HW              | Vermilion red         | HW65  | Black Chrome <b>NEW</b> | 1 pc       | 2-3 weeks | 5.5 kg | 2.264               | 2.830                |
| HW              | Bronze green          | HW65  | Black Chrome <b>NEW</b> | 1 pc       | 2-3 weeks | 5.5 kg | 2.264               | 2.830                |
| HW              | Soft Pink             | HW65  | Black Chrome <b>NEW</b> | 1 pc       | 2-3 weeks | 5.5 kg | 2.264               | 2.830                |
| <b>16000000</b> | Rely stacking trolley |       |                         |            | 2-3 weeks |        | <b>5.368</b>        | <b>6.710</b>         |

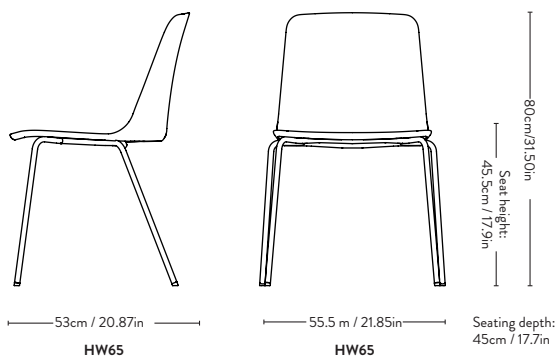
**Material:** Shell made from 100% recycled polypropylene with 15% fiber glass

Wagner QuickClick Plast gliders are installed as standard.  
Wagner QuickClick Felt gliders available upon request.

Stacking quantity: 12 pcs



EU Ecolabel certified, validating high standards of durability, circular design, and responsible use of chemicals. Please contact our sales team for a list of EU Ecolabel compliant combinations.





# Rely HW66 Hee Welling 2023



| Price group  | Shell Colour  | Seat Cushion Upholstery                               | Model | Base                       | Lead time | Weight  | PRICE EX. VAT (SEK) | PRICE INC. VAT (SEK) |
|--------------|---|---|-------|----------------------------|-----------|---------|---------------------|----------------------|
| Fabric gr. 1 | Black, White, Beige Sand, Red Brown, Light Blue, Stone Grey, Vermilion red, Bronze green, Soft Pink | Hot Madison, Remix, Re-Wool                           | HW66  | Black<br>Chrome <b>NEW</b> | 3-6 weeks | 6.50 kg | 3.576               | 4.470                |
| Fabric gr. 2 | Black, White, Beige Sand, Red Brown, Light Blue, Stone Grey, Vermilion red, Bronze green, Soft Pink | Canvas, Barnum, Fiord, Ritz                           | HW66  | Black<br>Chrome <b>NEW</b> | 3-6 weeks | 6.50 kg | 3.936               | 4.920                |
| Fabric gr. 3 | Black, White, Beige Sand, Red Brown, Light Blue, Stone Grey, Vermilion red, Bronze green, Soft Pink | Clay, Hallingdal, Steelcut Quartet, Steelcut Trio     | HW66  | Black<br>Chrome <b>NEW</b> | 3-6 weeks | 6.50 kg | 4.052               | 5.065                |
| Fabric gr. 4 | Black, White, Beige Sand, Red Brown, Light Blue, Stone Grey, Vermilion red, Bronze green, Soft Pink | Acca, Cifrado, Ecriture, Moss, Uniform Melange, Vidar | HW66  | Black<br>Chrome <b>NEW</b> | 3-6 weeks | 6.50 kg | 4.412               | 5.515                |
| Fabric gr. 5 | Black, White, Beige Sand, Red Brown, Light Blue, Stone Grey, Vermilion red, Bronze green, Soft Pink | Karakorum, Sisu                                       | HW66  | Black<br>Chrome <b>NEW</b> | 3-6 weeks | 6.50 kg | 4.888               | 6.110                |
| Fabric gr. 6 | Black, White, Beige Sand, Red Brown, Light Blue, Stone Grey, Vermilion red, Bronze green, Soft Pink | Fuse, Gentle  | HW66  | Black<br>Chrome <b>NEW</b> | 3-6 weeks | 6.50 kg | 5.488               | 6.860                |
| Leather      | Black, White, Beige Sand, Red Brown, Light Blue, Stone Grey, Vermilion red, Bronze green, Soft Pink | Tailor Semi-aniline leather                           | HW66  | Black<br>Chrome <b>NEW</b> | 3-6 weeks | 6.50 kg | 3.936               | 4.920                |
| Leather      | Black, White, Beige Sand, Red Brown, Light Blue, Stone Grey, Vermilion red, Bronze green, Soft Pink | Noble Aniline leather                                 | HW66  | Black<br>Chrome <b>NEW</b> | 3-6 weeks | 6.50 kg | 4.412               | 5.515                |
| Leather      | Black, White, Beige Sand, Red Brown, Light Blue, Stone Grey, Vermilion red, Bronze green, Soft Pink | Elmosoft Semi-aniline leather                         | HW66  | Black<br>Chrome <b>NEW</b> | 3-6 weeks | 6.50 kg | 4.652               | 5.815                |
| Fabric COM   | Black, White, Beige Sand, Red Brown, Light Blue, Stone Grey, Vermilion red, Bronze green, Soft Pink | COM Fabric  | HW66  | Black<br>Chrome <b>NEW</b> | 3-6 weeks | 6.50 kg | 3.576               | 4.470                |
| 16000000     | Rely stacking trolley   |   |       |                            | 2-3 weeks |         | 5.368               | 6.710                |

**Material:** Shell made from 100% recycled polypropylene with fiber glass, HR foam seat covered with fabric or leather upholstery.

**Fabric usage:** 0.49 meter based on a 140 cm roll.

**Leather usage:** 1 square meter based on a yield of 60% pr hide.

Wagner QuickClick Plast gliders are installed as standard.

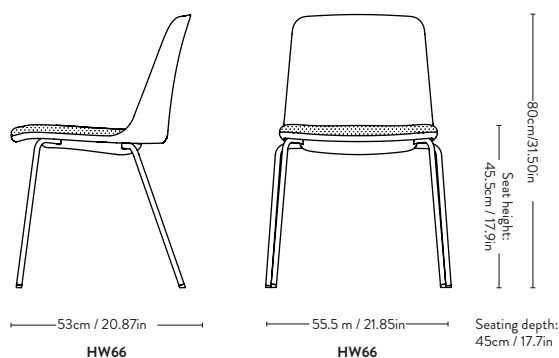
Wagner QuickClick Felt gliders available upon request.

COM must be approved by &Tradition to ensure suitability for upholstery.

Stacking quantity: 8 pcs



EU Ecolabel certified, validating high standards of durability, circular design, and responsible use of chemicals. Please contact our sales team for a list of EU Ecolabel compliant combinations.



# Rely <sup>HW67</sup> Hee Welling 2023



| Price group  | Upholstery  | Model | Base                       | Lead time | Weight  | PRICE EX. VAT (SEK) | PRICE INC. VAT (SEK) |
|--------------|---|-------|----------------------------|-----------|---------|---------------------|----------------------|
| Fabric gr. 1 | Hot Madison, Remix, Re-Wool                           | HW67  | Black<br>Chrome <b>NEW</b> | 3-6 weeks | 6.20 kg | 4.412               | 5.515                |
| Fabric gr. 2 | Canvas, Barnum, Fiord, Ritz                           | HW67  | Black<br>Chrome <b>NEW</b> | 3-6 weeks | 6.20 kg | 5.128               | 6.410                |
| Fabric gr. 3 | Clay, Hallingdal, Steelcut Quartet, Steelcut Trio     | HW67  | Black<br>Chrome <b>NEW</b> | 3-6 weeks | 6.20 kg | 5.368               | 6.710                |
| Fabric gr. 4 | Acca, Cifrado, Ecriture, Moss, Uniform Melange, Vidar | HW67  | Black<br>Chrome <b>NEW</b> | 3-6 weeks | 6.20 kg | 5.964               | 7.455                |
| Fabric gr. 5 | Karakorum, Sisu                                       | HW67  | Black<br>Chrome <b>NEW</b> | 3-6 weeks | 6.20 kg | 7.396               | 9.245                |
| Fabric gr. 6 | Fuse, Gentle  | HW67  | Black<br>Chrome <b>NEW</b> | 3-6 weeks | 6.20 kg | 8.352               | 10.440               |
| Leather      | Tailor Semi-aniline leather                           | HW67  | Black<br>Chrome <b>NEW</b> | 3-6 weeks | 6.20 kg | 6.440               | 8.050                |
| Leather      | Noble Aniline leather                                 | HW67  | Black<br>Chrome <b>NEW</b> | 3-6 weeks | 6.20 kg | 6.800               | 8.500                |
| Leather      | Elmosoft Semi-aniline leather                         | HW67  | Black<br>Chrome <b>NEW</b> | 3-6 weeks | 6.20 kg | 7.396               | 9.245                |
| Fabric COM   | COM Fabric  | HW67  | Black<br>Chrome <b>NEW</b> | 3-6 weeks | 6.20 kg | 4.412               | 5.515                |
| 16000000     | Rely stacking trolley                                 |       |                            | 2-3 weeks |         | 5.368               | 6.710                |

**Material:** Shell made from 100% recycled polypropylene with fiber glass, HR foam seat covered with fabric or leather upholstery

**Fabric usage:** 1.40 meters based on a 140cm roll.

**Leather usage:** 2.2 square meters based on a yield of 60% pr hide.

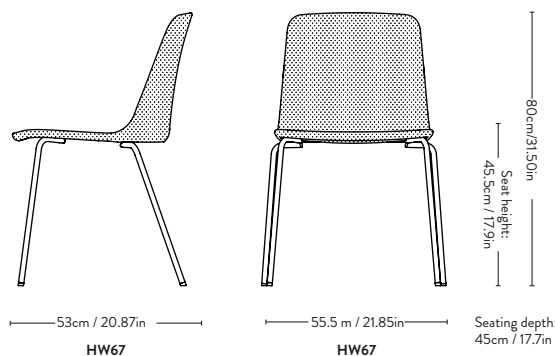
Wagner QuickClick Plast gliders are installed as standard.  
Wagner QuickClick Felt gliders available upon request.

COM must be approved by &Tradition to ensure suitability for upholstery.

Stacking quantity: 8 pcs



EU Ecolabel certified, validating high standards of durability, circular design, and responsible use of chemicals. Please contact our sales team for a list of EU Ecolabel compliant combinations.



# Rely HW68

## Hee Welling

### 2023



| Price group  | Upholstery  | Model | Base                       | Lead time | Weight  | PRICE EX. VAT (SEK) | PRICE INC. VAT (SEK) |
|--------------|---|-------|----------------------------|-----------|---------|---------------------|----------------------|
| Fabric gr. 1 | Hot Madison, Remix, Re-Wool                           | HW68  | Black<br>Chrome <b>NEW</b> | 3-6 weeks | 7.30 kg | 4.652               | 5.815                |
| Fabric gr. 2 | Canvas, Barnum, Fiord, Ritz                           | HW68  | Black<br>Chrome <b>NEW</b> | 3-6 weeks | 7.30 kg | 5.368               | 6.710                |
| Fabric gr. 3 | Clay, Hallingdal, Steelcut Quartet, Steelcut Trio     | HW68  | Black<br>Chrome <b>NEW</b> | 3-6 weeks | 7.30 kg | 5.604               | 7.005                |
| Fabric gr. 4 | Acca, Cifrado, Ecriture, Moss, Uniform Melange, Vidar | HW68  | Black<br>Chrome <b>NEW</b> | 3-6 weeks | 7.30 kg | 6.204               | 7.755                |
| Fabric gr. 5 | Karakorum, Sisu                                       | HW68  | Black<br>Chrome <b>NEW</b> | 3-6 weeks | 7.30 kg | 7.636               | 9.545                |
| Fabric gr. 6 | Fuse, Gentle  | HW68  | Black<br>Chrome <b>NEW</b> | 3-6 weeks | 7.30 kg | 8.712               | 10.890               |
| Leather      | Tailor Semi-aniline leather                           | HW68  | Black<br>Chrome <b>NEW</b> | 3-6 weeks | 7.30 kg | 6.680               | 8.350                |
| Leather      | Noble Aniline leather                                 | HW68  | Black<br>Chrome <b>NEW</b> | 3-6 weeks | 7.30 kg | 7.040               | 8.800                |
| Leather      | Elmosoft Semi-aniline leather                         | HW68  | Black<br>Chrome <b>NEW</b> | 3-6 weeks | 7.30 kg | 7.756               | 9.695                |
| Fabric COM   | COM Fabric  | HW68  | Black<br>Chrome <b>NEW</b> | 3-6 weeks | 7.30 kg | 4.652               | 5.815                |
| 16000000     | Rely stacking trolley                                 |       |                            | 2-3 weeks |         | 5.368               | 6.710                |

**Material:** Shell made from 100% recycled polypropylene with fiber glass, covered with HR foam with fabric or leather upholstery, steel tube base.

**Fabric usage:** 1.4m meters based on a 140cm roll.

**Leather usage:** 2.2 square meters based on a yield of 60% pr hide.

Wagner QuickClick Plast gliders are installed as standard.

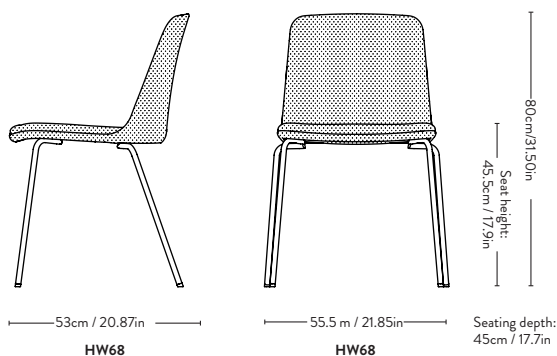
Wagner QuickClick Felt gliders available upon request.

COM must be approved by &Tradition to ensure suitability for upholstery.

Stacking quantity: 8 pcs



EU Ecolabel certified, validating high standards of durability, circular design, and responsible use of chemicals. Please contact our sales team for a list of EU Ecolabel compliant combinations.



# Rely HW69 Hee Welling 2023



Please note that price is accumulated price of shell & seat.

| Price group  | Shell Upholstery                                      | Model | Base                     | Lead time | Weight  | PRICE EX. VAT (SEK) | PRICE INC. VAT (SEK) |
|--------------|---|-------|--------------------------|-----------|---------|---------------------|----------------------|
| Fabric gr. 1 | Hot Madison, Remix, Re-Wool                           | HW69  | Black, Chrome <b>NEW</b> | 3-6 weeks | 7.30 kg | 3.580               | 4.475                |
| Fabric gr. 2 | Canvas, Barnum, Fiord, Ritz                           | HW69  | Black, Chrome <b>NEW</b> | 3-6 weeks | 7.30 kg | 3.940               | 4.925                |
| Fabric gr. 3 | Clay, Hallingdal, Steelcut Quartet, Steelcut Trio     | HW69  | Black, Chrome <b>NEW</b> | 3-6 weeks | 7.30 kg | 3.932               | 4.915                |
| Fabric gr. 4 | Acca, Cifrado, Ecriture, Moss, Uniform Melange, Vidar | HW69  | Black, Chrome <b>NEW</b> | 3-6 weeks | 7.30 kg | 4.176               | 5.220                |
| Fabric gr. 5 | Karakorum, Sisu                                       | HW69  | Black, Chrome <b>NEW</b> | 3-6 weeks | 7.30 kg | 5.256               | 6.570                |
| Fabric gr. 6 | Fuse, Gentle  | HW69  | Black, Chrome <b>NEW</b> | 3-6 weeks | 7.30 kg | 5.732               | 7.165                |
| Leather      | Tailor Semi-aniline leather                           | HW69  | Black, Chrome <b>NEW</b> | 3-6 weeks | 7.30 kg | 4.768               | 5.960                |
| Leather      | Noble Aniline leather                                 | HW69  | Black, Chrome <b>NEW</b> | 3-6 weeks | 7.30 kg | 5.012               | 6.265                |
| Leather      | Elmosoft Semi-aniline leather                         | HW69  | Black, Chrome <b>NEW</b> | 3-6 weeks | 7.30 kg | 5.256               | 6.570                |
| Fabric COM   | COM Fabric  | HW69  | Black, Chrome <b>NEW</b> | 3-6 weeks | 7.30 kg | 3.580               | 4.475                |

| Price group  | Seat Upholstery                                       | Lead time | PRICE EX. VAT (SEK) | PRICE INC. VAT (SEK) |
|--------------|---|-----------|---------------------|----------------------|
| Fabric gr. 1 | Hot Madison, Remix, Re-Wool                           | 3-6 weeks | 1.196               | 1.495                |
| Fabric gr. 2 | Canvas, Barnum, Fiord, Ritz                           | 3-6 weeks | 1.556               | 1.945                |
| Fabric gr. 3 | Clay, Hallingdal, Steelcut Quartet, Steelcut Trio     | 3-6 weeks | 1.676               | 2.095                |
| Fabric gr. 4 | Acca, Cifrado, Ecriture, Moss, Uniform Melange, Vidar | 3-6 weeks | 2.032               | 2.540                |
| Fabric gr. 5 | Karakorum, Sisu                                       | 3-6 weeks | 2.512               | 3.140                |
| Fabric gr. 6 | Fuse, Gentle  | 3-6 weeks | 2.752               | 3.440                |
| Leather      | Tailor Semi-aniline leather                           | 3-6 weeks | 1.912               | 2.390                |
| Leather      | Noble Aniline leather                                 | 3-6 weeks | 2.032               | 2.540                |
| Leather      | Elmosoft Semi-aniline leather                         | 3-6 weeks | 2.512               | 3.140                |
| Fabric COM   | COM Fabric  | 3-6 weeks | 1.196               | 1.495                |
| 16000000     | Rely stacking trolley                                 | 2-3 weeks | 5.368               | 6.710                |

**Material:** Shell made from 100% recycled polypropylene with fiber glass, HR foam seat covered with fabric or leather upholstery

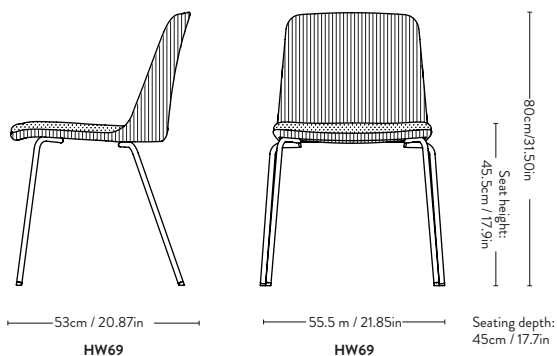
**Fabric usage:**

1.9 meter (Shell: 1.2 meters / Seat: 0.7 meter based on a 140 cm roll).

**Leather usage:** 2.9 square meters (Shell: 2 sqm / Seat: 0.9 sqm).

Wagner QuickClick Plast gliders are installed as standard.  
Wagner QuickClick Felt gliders available upon request.  
COM must be approved by &Tradition to ensure suitability for upholstery based on a yield of 60% pr hide.  
Stacking quantity: 8 pcs

Minimum order quantity of same variant: 4 pcs.



EU Ecolabel certified, validating high standards of durability, circular design, and responsible use of chemicals. Please contact our sales team for a list of EU Ecolabel compliant combinations.

EU Ecolabel : DK/049/019

# Rely <sup>HW28</sup> Hee Welling 2020



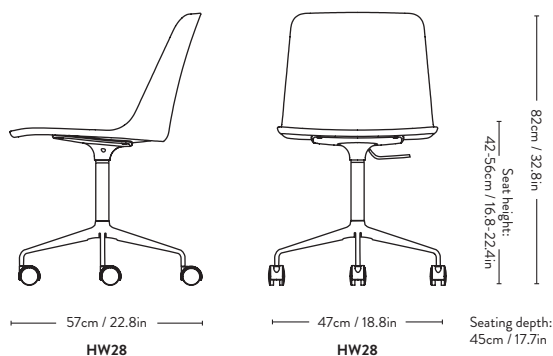
| Item code | Shell Colour  | Model | Base                      | Lead time | Weight  | PRICE EX. VAT (SEK) | PRICE INC. VAT (SEK) |
|-----------|---------------|-------|---------------------------|-----------|---------|---------------------|----------------------|
| HW        | Black         | HW28  | Black, Polished Aluminium | 2-3 weeks | 8.90 kg | 4.292               | 5.365                |
| HW        | White         | HW28  | Black, Polished Aluminium | 2-3 weeks | 8.90 kg | 4.292               | 5.365                |
| HW        | Beige Sand    | HW28  | Black, Polished Aluminium | 2-3 weeks | 8.90 kg | 4.292               | 5.365                |
| HW        | Red Brown     | HW28  | Black, Polished Aluminium | 2-3 weeks | 8.90 kg | 4.292               | 5.365                |
| HW        | Light Blue    | HW28  | Black, Polished Aluminium | 2-3 weeks | 8.90 kg | 4.292               | 5.365                |
| HW        | Stone Grey    | HW28  | Black, Polished Aluminium | 2-3 weeks | 8.90 kg | 4.292               | 5.365                |
| HW        | Vermilion red | HW28  | Black, Polished Aluminium | 2-3 weeks | 8.90 kg | 4.292               | 5.365                |
| HW        | Bronze green  | HW28  | Black, Polished Aluminium | 2-3 weeks | 8.90 kg | 4.292               | 5.365                |
| HW        | Soft Pink     | HW28  | Black, Polished Aluminium | 2-3 weeks | 8.90 kg | 4.292               | 5.365                |

**Material:** Shell made from 100% recycled polypropylene with fiber glass, cast aluminium 5-star swivel base w. gaslift & castors.

Castors suitable for all floor types.



EU Ecolabel certified, validating high standards of durability, circular design, and responsible use of chemicals. Please contact our sales team for a list of EU Ecolabel compliant combinations.



# Rely HW29

## Hee Welling 2020



| Price group  | Shell Colour  | Seat Cushion Upholstery                               | Base                      | Lead time | Weight   | PRICE EX. VAT (SEK) | PRICE INC. VAT (SEK) |
|--------------|---|---|---------------------------|-----------|----------|---------------------|----------------------|
| Fabric gr. 1 | Black, White, Beige Sand, Red Brown, Light Blue, Stone Grey, Vermilion red, Bronze green, Soft Pink | Hot Madison, Remix, Re-Wool                           | Black, Polished Aluminium | 3-6 weeks | 10.20 kg | 5.488               | 6.860                |
| Fabric gr. 2 | Black, White, Beige Sand, Red Brown, Light Blue, Stone Grey, Vermilion red, Bronze green, Soft Pink | Canvas, Barnum, Fiord, Ritz                           | Black, Polished Aluminium | 3-6 weeks | 10.20 kg | 5.844               | 7.305                |
| Fabric gr. 3 | Black, White, Beige Sand, Red Brown, Light Blue, Stone Grey, Vermilion red, Bronze green, Soft Pink | Clay, Hallingdal, Steelcut Quartet, Steelcut Trio     | Black, Polished Aluminium | 3-6 weeks | 10.20 kg | 5.964               | 7.455                |
| Fabric gr. 4 | Black, White, Beige Sand, Red Brown, Light Blue, Stone Grey, Vermilion red, Bronze green, Soft Pink | Acca, Cifrado, Ecriture, Moss, Uniform Melange, Vidar | Black, Polished Aluminium | 3-6 weeks | 10.20 kg | 6.324               | 7.905                |
| Fabric gr. 5 | Black, White, Beige Sand, Red Brown, Light Blue, Stone Grey, Vermilion red, Bronze green, Soft Pink | Karakorum, Sisu                                       | Black, Polished Aluminium | 3-6 weeks | 10.20 kg | 6.800               | 8.500                |
| Fabric gr. 6 | Black, White, Beige Sand, Red Brown, Light Blue, Stone Grey, Vermilion red, Bronze green, Soft Pink | Fuse, Gentle  | Black, Polished Aluminium | 3-6 weeks | 10.20 kg | 7.636               | 9.545                |
| Leather      | Black, White, Beige Sand, Red Brown, Light Blue, Stone Grey, Vermilion red, Bronze green, Soft Pink | Tailor Semi-aniline leather                           | Black, Polished Aluminium | 3-6 weeks | 10.20 kg | 5.964               | 7.455                |
| Leather      | Black, White, Beige Sand, Red Brown, Light Blue, Stone Grey, Vermilion red, Bronze green, Soft Pink | Noble Aniline leather                                 | Black, Polished Aluminium | 3-6 weeks | 10.20 kg | 6.324               | 7.905                |
| Leather      | Black, White, Beige Sand, Red Brown, Light Blue, Stone Grey, Vermilion red, Bronze green, Soft Pink | Elmosoft Semi-aniline leather                         | Black, Polished Aluminium | 3-6 weeks | 10.20 kg | 6.680               | 8.350                |
| Fabric COM   | Black, White, Beige Sand, Red Brown, Light Blue, Stone Grey, Vermilion red, Bronze green, Soft Pink | COM Fabric  | Black, Polished Aluminium | 3-6 weeks | 10.20 kg | 5.488               | 6.860                |



EU Ecolabel certified, validating high standards of durability, circular design, and responsible use of chemicals. Please contact our sales team for a list of EU Ecolabel compliant combinations.

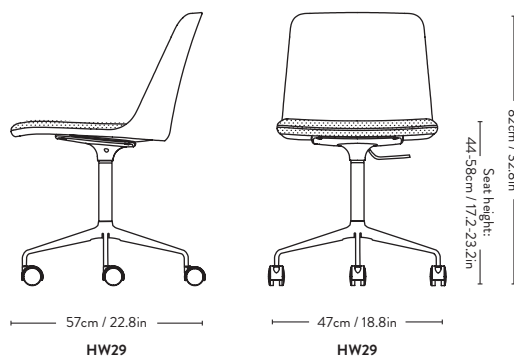
**Material:** Shell made from 100% recycled polypropylene with fiber glass, seat covered in HR foam with fabric or leather upholstery, cast aluminium 5-star swivel base w. gaslift & castors.

Castors suitable for all floor types.

**Fabric usage:** 0.49 meter based on a 140 cm roll.

**Leather usage:** 1 square meter based on a yield of 60% pr hide.

COM must be approved by &Tradition to ensure suitability for upholstery.



# Rely HW30

## Hee Welling

### 2020



| Price group  | Upholstery  | Model | Base                      | Lead time | Weight  | PRICE EX. VAT (SEK) | PRICE INC. VAT (SEK) |
|--------------|---|-------|---------------------------|-----------|---------|---------------------|----------------------|
| Fabric gr. 1 | Hot Madison, Remix, Re-Wool                           | HW30  | Black, Polished Aluminium | 3-6 weeks | 8.90 kg | 6.204               | 7.755                |
| Fabric gr. 2 | Canvas, Barnum, Fiord, Ritz                           | HW30  | Black, Polished Aluminium | 3-6 weeks | 8.90 kg | 6.920               | 8.650                |
| Fabric gr. 3 | Clay, Hallingdal, Steelcut Quartet, Steelcut Trio     | HW30  | Black, Polished Aluminium | 3-6 weeks | 8.90 kg | 7.160               | 8.950                |
| Fabric gr. 4 | Acca, Cifrado, Ecriture, Moss, Uniform Melange, Vidar | HW30  | Black, Polished Aluminium | 3-6 weeks | 8.90 kg | 7.756               | 9.695                |
| Fabric gr. 5 | Karakorum, Sisu                                       | HW30  | Black, Polished Aluminium | 3-6 weeks | 8.90 kg | 9.188               | 11.485               |
| Fabric gr. 6 | Fuse, Gentle  | HW30  | Black, Polished Aluminium | 3-6 weeks | 8.90 kg | 10.024              | 12.530               |
| Leather      | Tailor Semi-aniline leather                           | HW30  | Black, Polished Aluminium | 3-6 weeks | 8.90 kg | 8.112               | 10.140               |
| Leather      | Noble Aniline leather                                 | HW30  | Black, Polished Aluminium | 3-6 weeks | 8.90 kg | 8.472               | 10.590               |
| Leather      | Elmosoft Semi-aniline leather                         | HW30  | Black, Polished Aluminium | 3-6 weeks | 8.90 kg | 9.068               | 11.335               |
| Fabric COM   | COM Fabric  | HW30  | Black, Polished Aluminium | 3-6 weeks | 8.90 kg | 6.204               | 7.755                |

**Material:** Shell made from 100% recycled polypropylene with fiber glass, covered in HR foam with fabric or leather upholstery, cast aluminium 5-star swivel base w. gaslift & castors.

Castors suitable for all floor types.

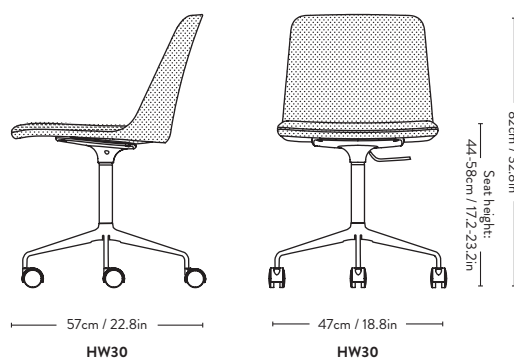
**Fabric usage:** 1.40 meters based on a 140cm roll.

**Leather usage:** 2.2 square meters based on a yield of 60% pr hide.

COM must be approved by &Tradition to ensure suitability for upholstery.



EU Ecolabel certified, validating high standards of durability, circular design, and responsible use of chemicals. Please contact our sales team for a list of EU Ecolabel compliant combinations.



# Rely HW31

## Hee Welling

### 2020



| Price group  | Upholstery  | Model | Base                      | Lead time | Weight   | PRICE EX. VAT (SEK) | PRICE INC. VAT (SEK) |
|--------------|---|-------|---------------------------|-----------|----------|---------------------|----------------------|
| Fabric gr. 1 | Hot Madison, Remix, Re-Wool                           | HW31  | Black, Polished Aluminium | 3-6 weeks | 10.50 kg | 6.440               | 8.050                |
| Fabric gr. 2 | Canvas, Barnum, Fiord, Ritz                           | HW31  | Black, Polished Aluminium | 3-6 weeks | 10.50 kg | 7.160               | 8.950                |
| Fabric gr. 3 | Clay, Hallingdal, Steelcut Quartet, Steelcut Trio     | HW31  | Black, Polished Aluminium | 3-6 weeks | 10.50 kg | 7.396               | 9.245                |
| Fabric gr. 4 | Acca, Cifrado, Ecriture, Moss, Uniform Melange, Vidar | HW31  | Black, Polished Aluminium | 3-6 weeks | 10.50 kg | 7.996               | 9.995                |
| Fabric gr. 5 | Karakorum, Sisu                                       | HW31  | Black, Polished Aluminium | 3-6 weeks | 10.50 kg | 9.428               | 11.785               |
| Fabric gr. 6 | Fuse, Gentle  | HW31  | Black, Polished Aluminium | 3-6 weeks | 10.50 kg | 10.384              | 12.980               |
| Leather      | Tailor Semi-aniline leather                           | HW31  | Black, Polished Aluminium | 3-6 weeks | 10.50 kg | 8.352               | 10.440               |
| Leather      | Noble Aniline leather                                 | HW31  | Black, Polished Aluminium | 3-6 weeks | 10.50 kg | 8.712               | 10.890               |
| Leather      | Elmosoft Semi-aniline leather                         | HW31  | Black, Polished Aluminium | 3-6 weeks | 10.50 kg | 9.548               | 11.935               |
| Fabric COM   | COM Fabric  | HW31  | Black, Polished Aluminium | 3-6 weeks | 10.50 kg | 6.440               | 8.050                |

**Material:** Shell made from 100% recycled polypropylene with fiber glass, covered in HR foam with fabric or leather upholstery, cast aluminium 5-star swivel base w. gaslift & castors.

Castors suitable for all floor types.

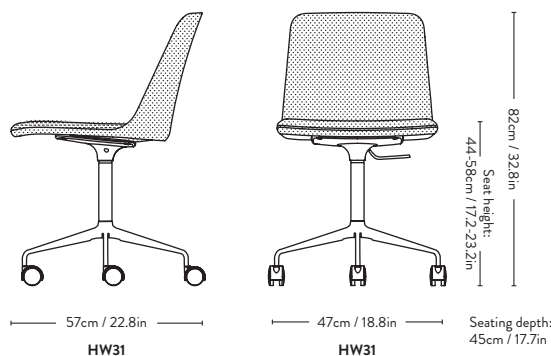
**Fabric usage:** 1.8 meters based on a 140cm roll.

**Leather usage:** 2.7 square meters based on a yield of 60% pr hide.

COM must be approved by &Tradition to ensure suitability for upholstery.



EU Ecolabel certified, validating high standards of durability, circular design, and responsible use of chemicals. Please contact our sales team for a list of EU Ecolabel compliant combinations.





# Rely HW32 Hee Welling 2020



Please note that price is accumulated price of shell & seat.

| Price group  | Shell Upholstery                                      | Base                      | Lead time | Weight   | PRICE EX. VAT (SEK) | PRICE INC. VAT (SEK) |
|--------------|---|---------------------------|-----------|----------|---------------------|----------------------|
| Fabric gr. 1 | Hot Madison, Remix, Re-Wool                           | Black, Polished Aluminium | 3-6 weeks | 10.50 kg | 5.244               | 6.555                |
| Fabric gr. 2 | Canvas, Barnum, Fiord, Ritz                           | Black, Polished Aluminium | 3-6 weeks | 10.50 kg | 5.608               | 7.010                |
| Fabric gr. 3 | Clay, Hallingdal, Steelcut Quartet, Steelcut Trio     | Black, Polished Aluminium | 3-6 weeks | 10.50 kg | 5.732               | 7.165                |
| Fabric gr. 4 | Acca, Cifrado, Ecriture, Moss, Uniform Melange, Vidar | Black, Polished Aluminium | 3-6 weeks | 10.50 kg | 5.968               | 7.460                |
| Fabric gr. 5 | Karakorum, Sisu                                       | Black, Polished Aluminium | 3-6 weeks | 10.50 kg | 6.928               | 8.660                |
| Fabric gr. 6 | Fuse, Gentle  | Black, Polished Aluminium | 3-6 weeks | 10.50 kg | 7.648               | 9.560                |
| Leather      | Tailor Semi-aniline leather                           | Black, Polished Aluminium | 3-6 weeks | 10.50 kg | 6.452               | 8.065                |
| Leather      | Noble Aniline leather                                 | Black, Polished Aluminium | 3-6 weeks | 10.50 kg | 6.684               | 8.355                |
| Leather      | Elmosoft Semi-aniline leather                         | Black, Polished Aluminium | 3-6 weeks | 10.50 kg | 7.048               | 8.810                |
| Fabric COM   | COM Fabric  | Black, Polished Aluminium | 3-6 weeks | 10.50 kg | 5.244               | 6.555                |

| Price group  | Seat Upholstery                                       | Lead time | PRICE EX. VAT (SEK) | PRICE INC. VAT (SEK) |
|--------------|---|-----------|---------------------|----------------------|
| Fabric gr. 1 | Hot Madison, Remix, Re-Wool                           | 3-6 weeks | 1.196               | 1.495                |
| Fabric gr. 2 | Canvas, Barnum, Fiord, Ritz                           | 3-6 weeks | 1.556               | 1.945                |
| Fabric gr. 3 | Clay, Hallingdal, Steelcut Quartet, Steelcut Trio     | 3-6 weeks | 1.676               | 2.095                |
| Fabric gr. 4 | Acca, Cifrado, Ecriture, Moss, Uniform Melange, Vidar | 3-6 weeks | 2.032               | 2.540                |
| Fabric gr. 5 | Karakorum, Sisu                                       | 3-6 weeks | 2.512               | 3.140                |
| Fabric gr. 6 | Fuse, Gentle  | 3-6 weeks | 2.752               | 3.440                |
| Leather      | Tailor Semi-aniline leather                           | 3-6 weeks | 1.912               | 2.390                |
| Leather      | Noble Aniline leather                                 | 3-6 weeks | 2.032               | 2.540                |
| Leather      | Elmosoft Semi-aniline leather                         | 3-6 weeks | 2.512               | 3.140                |
| Fabric COM   | COM Fabric  | 3-6 weeks | 1.196               | 1.495                |

**Material:** Shell made from 100% recycled polypropylene with fiber glass, covered in HR foam with fabric or leather upholstery, cast aluminium 5-star swivel base w. gaslift & castors.

Castors suitable for all floor types.

**Fabric usage:** 1.9 meter (Shell: 1.2 meters / Seat: 0.7 meter).

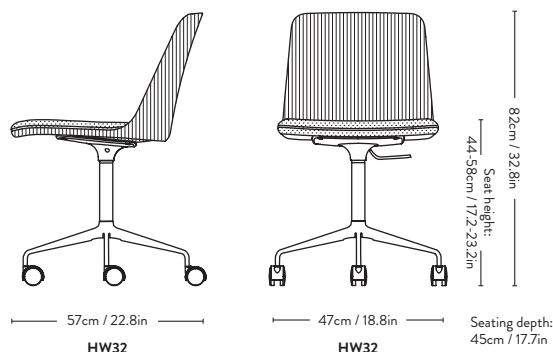
**Leather usage:** 2.9 square meters (Shell: 2 sqm / Seat: 0.9 sqm) based on a yield of 60% pr hide.

COM must be approved by &Tradition to ensure suitability for upholstery.

Minimum order quantity of same variant: 4 pcs.



EU Ecolabel certified, validating high standards of durability, circular design, and responsible use of chemicals. Please contact our sales team for a list of EU Ecolabel compliant combinations.



# Rely HW33

## Hee Welling

### 2021



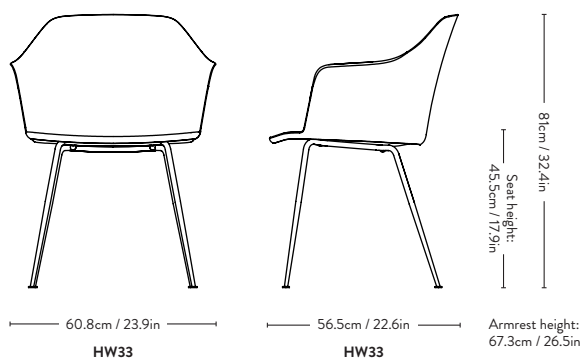
| Item code | Shell Colour  | Model | Base                   | Colli qty.    | Lead time | Weight  | PRICE EX. VAT (SEK) | PRICE INC. VAT (SEK) |
|-----------|---------------|-------|------------------------|---------------|-----------|---------|---------------------|----------------------|
| HW        | Black         | HW33  | Black, Bronzed, Chrome | 1 pc<br>4 pcs | 2-3 weeks | 6.90 kg | 2.500<br>2.384      | 3.125<br>2.980       |
| HW        | White         | HW33  | Black, Bronzed, Chrome | 1 pc<br>4 pcs | 2-3 weeks | 6.90 kg | 2.500<br>2.384      | 3.125<br>2.980       |
| HW        | Beige Sand    | HW33  | Black, Bronzed, Chrome | 1 pc<br>4 pcs | 2-3 weeks | 6.90 kg | 2.500<br>2.384      | 3.125<br>2.980       |
| HW        | Red Brown     | HW33  | Black, Bronzed, Chrome | 1 pc<br>4 pcs | 2-3 weeks | 6.90 kg | 2.500<br>2.384      | 3.125<br>2.980       |
| HW        | Light Blue    | HW33  | Black, Bronzed, Chrome | 1 pc<br>4 pcs | 2-3 weeks | 6.90 kg | 2.500<br>2.384      | 3.125<br>2.980       |
| HW        | Stone Grey    | HW33  | Black, Bronzed, Chrome | 1 pc<br>4 pcs | 2-3 weeks | 6.90 kg | 2.500<br>2.384      | 3.125<br>2.980       |
| HW        | Vermilion red | HW33  | Black, Bronzed, Chrome | 1 pc<br>4 pcs | 2-3 weeks | 6.90 kg | 2.500<br>2.384      | 3.125<br>2.980       |
| HW        | Bronze green  | HW33  | Black, Bronzed, Chrome | 1 pc<br>4 pcs | 2-3 weeks | 6.90 kg | 2.500<br>2.384      | 3.125<br>2.980       |
| HW        | Soft Pink     | HW33  | Black, Bronzed, Chrome | 1 pc<br>4 pcs | 2-3 weeks | 6.90 kg | 2.500<br>2.384      | 3.125<br>2.980       |

**Material:** Shell made from 100% recycled polypropylene with fiber glass and a steel tube base.

Wagner QuickClick Plast gliders are installed as standard.  
Wagner QuickClick Felt gliders available upon request.



EU Ecolabel certified, validating high standards of durability, circular design, and responsible use of chemicals. Please contact our sales team for a list of EU Ecolabel compliant combinations.



# Rely HW34

## Hee Welling

### 2021



| Price group  | Shell Colour  | Seat Cushion Upholstery                               | Model | Base                   | Lead time | Weight  | PRICE EX. VAT (SEK) | PRICE INC. VAT (SEK) |
|--------------|---|---|-------|------------------------|-----------|---------|---------------------|----------------------|
| Fabric gr. 1 | Black, White, Beige Sand, Red Brown, Light Blue, Stone Grey, Vermilion red, Bronze green, Soft Pink | Hot Madison, Remix, Re-Wool                           | HW34  | Black, Bronzed, Chrome | 3-6 weeks | 8.10 kg | 3.936               | 4.920                |
| Fabric gr. 2 | Black, White, Beige Sand, Red Brown, Light Blue, Stone Grey, Vermilion red, Bronze green, Soft Pink | Canvas, Barnum, Fiord, Ritz                           | HW34  | Black, Bronzed, Chrome | 3-6 weeks | 8.10 kg | 4.292               | 5.365                |
| Fabric gr. 3 | Black, White, Beige Sand, Red Brown, Light Blue, Stone Grey, Vermilion red, Bronze green, Soft Pink | Clay, Hallingdal, Steelcut Quartet, Steelcut Trio     | HW34  | Black, Bronzed, Chrome | 3-6 weeks | 8.10 kg | 4.412               | 5.515                |
| Fabric gr. 4 | Black, White, Beige Sand, Red Brown, Light Blue, Stone Grey, Vermilion red, Bronze green, Soft Pink | Acca, Cifrado, Ecriture, Moss, Uniform Melange, Vidar | HW34  | Black, Bronzed, Chrome | 3-6 weeks | 8.10 kg | 4.772               | 5.965                |
| Fabric gr. 5 | Black, White, Beige Sand, Red Brown, Light Blue, Stone Grey, Vermilion red, Bronze green, Soft Pink | Karakorum, Sisu                                       | HW34  | Black, Bronzed, Chrome | 3-6 weeks | 8.10 kg | 5.248               | 6.560                |
| Fabric gr. 6 | Black, White, Beige Sand, Red Brown, Light Blue, Stone Grey, Vermilion red, Bronze green, Soft Pink | Fuse, Gentle  | HW34  | Black, Bronzed, Chrome | 3-6 weeks | 8.10 kg | 5.724               | 7.155                |
| Leather      | Black, White, Beige Sand, Red Brown, Light Blue, Stone Grey, Vermilion red, Bronze green, Soft Pink | Tailor Semi-aniline leather                           | HW34  | Black, Bronzed, Chrome | 3-6 weeks | 8.10 kg | 4.412               | 5.515                |
| Leather      | Black, White, Beige Sand, Red Brown, Light Blue, Stone Grey, Vermilion red, Bronze green, Soft Pink | Noble Aniline leather                                 | HW34  | Black, Bronzed, Chrome | 3-6 weeks | 8.10 kg | 4.772               | 5.965                |
| Leather      | Black, White, Beige Sand, Red Brown, Light Blue, Stone Grey, Vermilion red, Bronze green, Soft Pink | Elmosoft Semi-aniline leather                         | HW34  | Black, Bronzed, Chrome | 3-6 weeks | 8.10 kg | 5.128               | 6.410                |
| Fabric COM   | Black, White, Beige Sand, Red Brown, Light Blue, Stone Grey, Vermilion red, Bronze green, Soft Pink | COM Fabric  | HW34  | Black, Bronzed, Chrome | 3-6 weeks | 8.10 kg | 3.936               | 4.920                |



EU Ecolabel certified, validating high standards of durability, circular design, and responsible use of chemicals. Please contact our sales team for a list of EU Ecolabel compliant combinations.

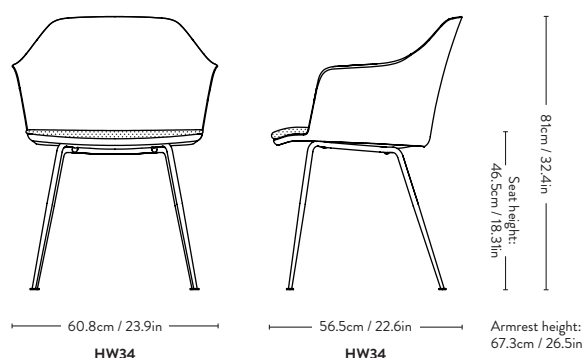
**Material:** Shell made from 100% recycled polypropylene with fiber glass, HR foam seat covered with fabric or leather upholstery, steel tube base.

**Fabric usage:** 0.49 meter based on a 140 cm roll.

**Leather usage:** 1 square meter based on a yield of 60% pr hide.

COM must be approved by &Tradition to ensure suitability for upholstery.

Wagner QuickClick Plast gliders are installed as standard.  
Wagner QuickClick Felt gliders available upon request.



# Rely HW35 Hee Welling 2021



| Price group  | Upholstery  | Model | Base                   | Lead time | Weight  | PRICE EX. VAT (SEK) | PRICE INC. VAT (SEK) |
|--------------|---|-------|------------------------|-----------|---------|---------------------|----------------------|
| Fabric gr. 1 | Hot Madison, Remix, Re-Wool                           | HW35  | Black, Bronzed, Chrome | 3-6 weeks | 7.30 kg | 5.128               | 6.410                |
| Fabric gr. 2 | Canvas, Barnum, Fiord, Ritz                           | HW35  | Black, Bronzed, Chrome | 3-6 weeks | 7.30 kg | 5.844               | 7.305                |
| Fabric gr. 3 | Clay, Hallingdal, Steelcut Quartet, Steelcut Trio     | HW35  | Black, Bronzed, Chrome | 3-6 weeks | 7.30 kg | 6.084               | 7.605                |
| Fabric gr. 4 | Acca, Cifrado, Ecriture, Moss, Uniform Melange, Vidar | HW35  | Black, Bronzed, Chrome | 3-6 weeks | 7.30 kg | 6.800               | 8.500                |
| Fabric gr. 5 | Karakorum, Sisu                                       | HW35  | Black, Bronzed, Chrome | 3-6 weeks | 7.30 kg | 8.232               | 10.290               |
| Fabric gr. 6 | Fuse, Gentle  | HW35  | Black, Bronzed, Chrome | 3-6 weeks | 7.30 kg | 9.068               | 11.335               |
| Leather      | Tailor Semi-aniline leather                           | HW35  | Black, Bronzed, Chrome | 3-6 weeks | 7.30 kg | 7.160               | 8.950                |
| Leather      | Noble Aniline leather                                 | HW35  | Black, Bronzed, Chrome | 3-6 weeks | 7.30 kg | 8.592               | 10.740               |
| Leather      | Elmosoft Semi-aniline leather                         | HW35  | Black, Bronzed, Chrome | 3-6 weeks | 7.30 kg | 9.428               | 11.785               |
| Fabric COM   | COM Fabric  | HW35  | Black, Bronzed, Chrome | 3-6 weeks | 7.30 kg | 5.128               | 6.410                |

**Material:** Shell made from 100% recycled polypropylene with fiber glass, covered with HR foam with fabric or leather upholstery, steel tube base.

**Fabric usage:** 1.5 meters based on 140cm roll.

**Leather usage:** 2.7 square meters based on a yield of 60% pr hide.

COM must be approved by &Tradition to ensure suitability for upholstery.

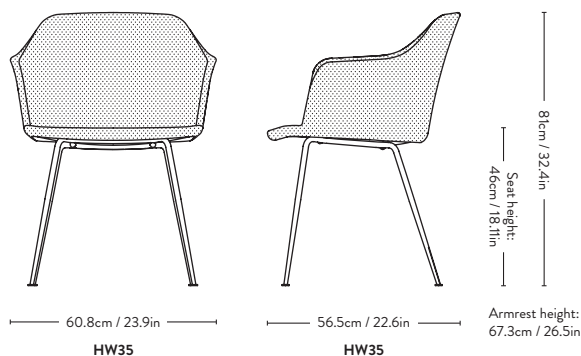
Wagner QuickClick Plast gliders are installed as standard.

Wagner QuickClick Felt gliders available upon request.



EU Ecolabel certified, validating high standards of durability, circular design, and responsible use of chemicals. Please contact our sales team for a list of EU Ecolabel compliant combinations.

EU Ecolabel : DK/049/019



# Rely <sup>HW36</sup> Hee Welling 2021



| Price group  | Upholstery  | Model | Base                   | Lead time | Weight  | PRICE EX. VAT (SEK) | PRICE INC. VAT (SEK) |
|--------------|---|-------|------------------------|-----------|---------|---------------------|----------------------|
| Fabric gr. 1 | Hot Madison, Remix, Re-Wool                           | HW36  | Black, Bronzed, Chrome | 3-6 weeks | 8.40 kg | 5.488               | 6.860                |
| Fabric gr. 2 | Canvas, Barnum, Fiord, Ritz                           | HW36  | Black, Bronzed, Chrome | 3-6 weeks | 8.40 kg | 6.204               | 7.755                |
| Fabric gr. 3 | Clay, Hallingdal, Steelcut Quartet, Steelcut Trio     | HW36  | Black, Bronzed, Chrome | 3-6 weeks | 8.40 kg | 6.440               | 8.050                |
| Fabric gr. 4 | Acca, Cifrado, Ecriture, Moss, Uniform Melange, Vidar | HW36  | Black, Bronzed, Chrome | 3-6 weeks | 8.40 kg | 7.160               | 8.950                |
| Fabric gr. 5 | Karakorum, Sisu                                       | HW36  | Black, Bronzed, Chrome | 3-6 weeks | 8.40 kg | 8.592               | 10.740               |
| Fabric gr. 6 | Fuse, Gentle  | HW36  | Black, Bronzed, Chrome | 3-6 weeks | 8.40 kg | 9.428               | 11.785               |
| Leather      | Tailor Semi-aniline leather                           | HW36  | Black, Bronzed, Chrome | 3-6 weeks | 8.40 kg | 7.516               | 9.395                |
| Leather      | Noble Aniline leather                                 | HW36  | Black, Bronzed, Chrome | 3-6 weeks | 8.40 kg | 8.948               | 11.185               |
| Leather      | Elmosoft Semi-aniline leather                         | HW36  | Black, Bronzed, Chrome | 3-6 weeks | 8.40 kg | 10.024              | 12.530               |
| Fabric COM   | COM Fabric  | HW36  | Black, Bronzed, Chrome | 3-6 weeks | 8.40 kg | 5.488               | 6.860                |

**Material:** Shell made from 100% recycled polypropylene with fiber glass, covered with HR foam with fabric or leather upholstery, steel tube base.

**Fabric usage:** 2.3 meters based on 140cm roll.

**Leather usage:** 3.4 square meters based on a yield of 60% pr hide.

COM must be approved by &Tradition to ensure suitability for upholstery.

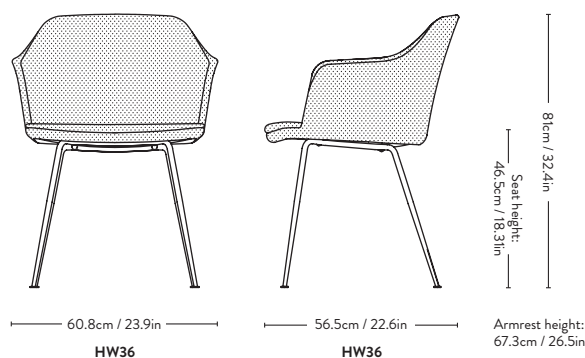
Wagner QuickClick Plast gliders are installed as standard.

Wagner QuickClick Felt gliders available upon request.



EU Ecolabel certified, validating high standards of durability, circular design, and responsible use of chemicals. Please contact our sales team for a list of EU Ecolabel compliant combinations.

EU Ecolabel : DK/049/019



# Rely <sup>HW37</sup> Hee Welling 2021



Please note that price is accumulated price of shell & seat.

| Price group  | Shell Upholstery                                      | Base                   | Lead time | Weight  | PRICE EX. VAT (SEK) | PRICE INC. VAT (SEK) |
|--------------|---|------------------------|-----------|---------|---------------------|----------------------|
| Fabric gr. 1 | Hot Madison, Remix, Re-Wool                           | Black, Bronzed, Chrome | 3-6 weeks | 8.40 kg | 4.300               | 5.375                |
| Fabric gr. 2 | Canvas, Barnum, Fiord, Ritz                           | Black, Bronzed, Chrome | 3-6 weeks | 8.40 kg | 4.656               | 5.820                |
| Fabric gr. 3 | Clay, Hallingdal, Steelcut Quartet, Steelcut Trio     | Black, Bronzed, Chrome | 3-6 weeks | 8.40 kg | 4.768               | 5.960                |
| Fabric gr. 4 | Acca, Cifrado, Ecriture, Moss, Uniform Melange, Vidar | Black, Bronzed, Chrome | 3-6 weeks | 8.40 kg | 5.132               | 6.415                |
| Fabric gr. 5 | Karakorum, Sisu                                       | Black, Bronzed, Chrome | 3-6 weeks | 8.40 kg | 6.092               | 7.615                |
| Fabric gr. 6 | Fuse, Gentle  | Black, Bronzed, Chrome | 3-6 weeks | 8.40 kg | 6.692               | 8.365                |
| Leather      | Tailor Semi-aniline leather                           | Black, Bronzed, Chrome | 3-6 weeks | 8.40 kg | 5.616               | 7.020                |
| Leather      | Noble Aniline leather                                 | Black, Bronzed, Chrome | 3-6 weeks | 8.40 kg | 6.928               | 8.660                |
| Leather      | Elmosoft Semi-aniline leather                         | Black, Bronzed, Chrome | 3-6 weeks | 8.40 kg | 7.528               | 9.410                |
| Fabric COM   | COM Fabric  | Black, Bronzed, Chrome | 3-6 weeks | 8.40 kg | 4.300               | 5.375                |

| Price group  | Seat Upholstery                                       | Lead time | PRICE EX. VAT (SEK) | PRICE INC. VAT (SEK) |
|--------------|---|-----------|---------------------|----------------------|
| Fabric gr. 1 | Hot Madison, Remix, Re-Wool                           | 3-6 weeks | 1.196               | 1.495                |
| Fabric gr. 2 | Canvas, Barnum, Fiord, Ritz                           | 3-6 weeks | 1.556               | 1.945                |
| Fabric gr. 3 | Clay, Hallingdal, Steelcut Quartet, Steelcut Trio     | 3-6 weeks | 1.676               | 2.095                |
| Fabric gr. 4 | Acca, Cifrado, Ecriture, Moss, Uniform Melange, Vidar | 3-6 weeks | 2.032               | 2.540                |
| Fabric gr. 5 | Karakorum, Sisu                                       | 3-6 weeks | 2.512               | 3.140                |
| Fabric gr. 6 | Fuse, Gentle  | 3-6 weeks | 2.752               | 3.440                |
| Leather      | Tailor Semi-aniline leather                           | 3-6 weeks | 1.912               | 2.390                |
| Leather      | Noble Aniline leather                                 | 3-6 weeks | 2.032               | 2.540                |
| Leather      | Elmosoft Semi-aniline leather                         | 3-6 weeks | 2.512               | 3.140                |
| Fabric COM   | COM Fabric  | 3-6 weeks | 1.196               | 1.495                |

**Material:** Shell made from 100% recycled polypropylene with fiber glass, covered with HR foam with fabric or leather upholstery, steel tube base.

**Fabric usage:** 1.5 meters (shell), 0.77 meters (cushion) based on 140cm roll.  
**Leather usage:** 2.64 square meters (shell), 0.77 square meters (cushion) based on a yield of 60% pr hide.

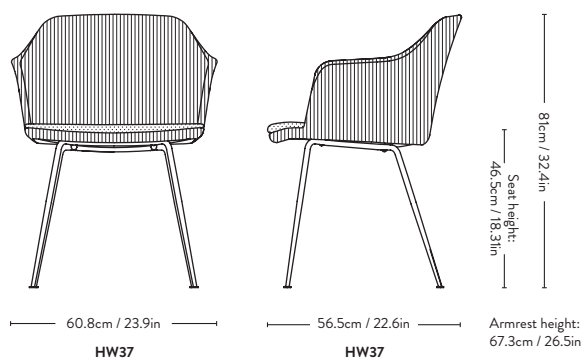
COM must be approved by &Tradition to ensure suitability for upholstery.

Wagner QuickClick Plast gliders are installed as standard.  
Wagner QuickClick Felt gliders available upon request.

**Minimum order quantity of same variant: 4 pcs.**



EU Ecolabel certified, validating high standards of durability, circular design, and responsible use of chemicals. Please contact our sales team for a list of EU Ecolabel compliant combinations.



# Rely HW38

## Hee Welling

### 2021



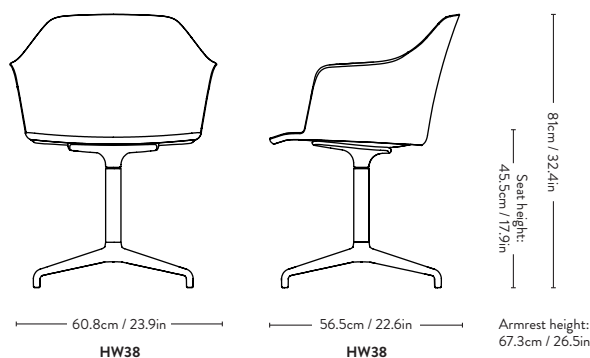
| Item code | Shell Colour  | Model | Base                               | Lead time | Weight  | PRICE EX. VAT (SEK) | PRICE INC. VAT (SEK) |
|-----------|---------------|-------|------------------------------------|-----------|---------|---------------------|----------------------|
| HW        | Black         | HW38  | Black, Bronzed, Polished Aluminium | 2-3 weeks | 9.40 kg | 3.336               | 4.170                |
| HW        | White         | HW38  | Black, Bronzed, Polished Aluminium | 2-3 weeks | 9.40 kg | 3.336               | 4.170                |
| HW        | Beige Sand    | HW38  | Black, Bronzed, Polished Aluminium | 2-3 weeks | 9.40 kg | 3.336               | 4.170                |
| HW        | Red Brown     | HW38  | Black, Bronzed, Polished Aluminium | 2-3 weeks | 9.40 kg | 3.336               | 4.170                |
| HW        | Light Blue    | HW38  | Black, Bronzed, Polished Aluminium | 2-3 weeks | 9.40 kg | 3.336               | 4.170                |
| HW        | Stone Grey    | HW38  | Black, Bronzed, Polished Aluminium | 2-3 weeks | 9.40 kg | 3.336               | 4.170                |
| HW        | Vermilion red | HW38  | Black, Bronzed, Polished Aluminium | 2-3 weeks | 9.40 kg | 3.336               | 4.170                |
| HW        | Bronze green  | HW38  | Black, Bronzed, Polished Aluminium | 2-3 weeks | 9.40 kg | 3.336               | 4.170                |
| HW        | Soft Pink     | HW38  | Black, Bronzed, Polished Aluminium | 2-3 weeks | 9.40 kg | 3.336               | 4.170                |

**Material:** Shell made from 100% recycled polypropylene with fiber glass and an aluminium swivel base.

Plastic gliders installed as standard.  
Felt gliders available upon request.



EU Ecolabel certified, validating high standards of durability, circular design, and responsible use of chemicals. Please contact our sales team for a list of EU Ecolabel compliant combinations.



# Rely HW39 Hee Welling 2021



| Price group  | Shell Colour  | Seat Cushion Upholstery                               | Base                               | Lead time | Weight   | PRICE EX. VAT (SEK) | PRICE INC. VAT (SEK) |
|--------------|---|---|------------------------------------|-----------|----------|---------------------|----------------------|
| Fabric gr. 1 | Black, White, Beige Sand, Red Brown, Light Blue, Stone Grey, Vermilion red, Bronze green, Soft Pink | Hot Madison, Remix, Re-Wool                           | Black, Bronzed, Polished Aluminium | 3-6 weeks | 10.70 kg | 5.008               | 6.260                |
| Fabric gr. 2 | Black, White, Beige Sand, Red Brown, Light Blue, Stone Grey, Vermilion red, Bronze green, Soft Pink | Canvas, Barnum, Fiord, Ritz                           | Black, Bronzed, Polished Aluminium | 3-6 weeks | 10.70 kg | 5.368               | 6.710                |
| Fabric gr. 3 | Black, White, Beige Sand, Red Brown, Light Blue, Stone Grey, Vermilion red, Bronze green, Soft Pink | Clay, Hallingdal, Steelcut Quartet, Steelcut Trio     | Black, Bronzed, Polished Aluminium | 3-6 weeks | 10.70 kg | 5.488               | 6.860                |
| Fabric gr. 4 | Black, White, Beige Sand, Red Brown, Light Blue, Stone Grey, Vermilion red, Bronze green, Soft Pink | Acca, Cifrado, Ecriture, Moss, Uniform Melange, Vidar | Black, Bronzed, Polished Aluminium | 3-6 weeks | 10.70 kg | 5.844               | 7.305                |
| Fabric gr. 5 | Black, White, Beige Sand, Red Brown, Light Blue, Stone Grey, Vermilion red, Bronze green, Soft Pink | Karakorum, Sisu                                       | Black, Bronzed, Polished Aluminium | 3-6 weeks | 10.70 kg | 6.324               | 7.905                |
| Fabric gr. 6 | Black, White, Beige Sand, Red Brown, Light Blue, Stone Grey, Vermilion red, Bronze green, Soft Pink | Fuse, Gentle  | Black, Bronzed, Polished Aluminium | 3-6 weeks | 10.70 kg | 6.920               | 8.650                |
| Leather      | Black, White, Beige Sand, Red Brown, Light Blue, Stone Grey, Vermilion red, Bronze green, Soft Pink | Tailor Semi-aniline leather                           | Black, Bronzed, Polished Aluminium | 3-6 weeks | 10.70 kg | 5.488               | 6.860                |
| Leather      | Black, White, Beige Sand, Red Brown, Light Blue, Stone Grey, Vermilion red, Bronze green, Soft Pink | Noble Aniline leather                                 | Black, Bronzed, Polished Aluminium | 3-6 weeks | 10.70 kg | 5.844               | 7.305                |
| Leather      | Black, White, Beige Sand, Red Brown, Light Blue, Stone Grey, Vermilion red, Bronze green, Soft Pink | Elmosoft Semi-aniline leather                         | Black, Bronzed, Polished Aluminium | 3-6 weeks | 10.70 kg | 6.204               | 7.755                |
| Fabric COM   | Black, White, Beige Sand, Red Brown, Light Blue, Stone Grey, Vermilion red, Bronze green, Soft Pink | COM Fabric  | Black, Bronzed, Polished Aluminium | 3-6 weeks | 10.70 kg | 5.008               | 6.260                |

**Material:** Shell made from 100% recycled polypropylene with fiber glass, HR foam seat covered with fabric or leather upholstery, aluminium swivel base.

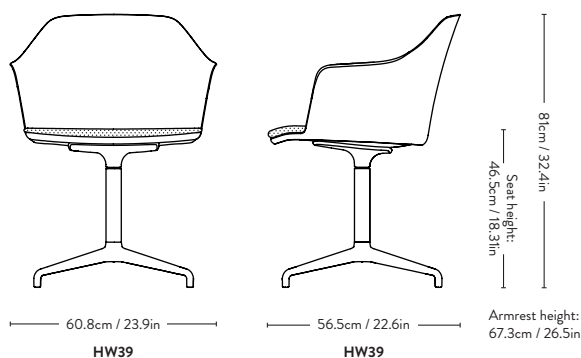
**Fabric usage:** 0.49 meter based on a 140 cm roll.

**Leather usage:** 1 square meter based on a yield of 60% pr hide.

COM must be approved by &Tradition to ensure suitability for upholstery.

Plastic gliders installed as standard.

Felt gliders available upon request.





# Rely HW40

## Hee Welling

### 2021



| Price group  | Upholstery  | Model | Base                               | Lead time | Weight  | PRICE EX. VAT (SEK) | PRICE INC. VAT (SEK) |
|--------------|---|-------|------------------------------------|-----------|---------|---------------------|----------------------|
| Fabric gr. 1 | Hot Madison, Remix, Re-Wool                           | HW40  | Black, Bronzed, Polished Aluminium | 3-6 weeks | 9.90 kg | 5.964               | 7.455                |
| Fabric gr. 2 | Canvas, Barnum, Fiord, Ritz                           | HW40  | Black, Bronzed, Polished Aluminium | 3-6 weeks | 9.90 kg | 6.680               | 8.350                |
| Fabric gr. 3 | Clay, Hallingdal, Steelcut Quartet, Steelcut Trio     | HW40  | Black, Bronzed, Polished Aluminium | 3-6 weeks | 9.90 kg | 6.920               | 8.650                |
| Fabric gr. 4 | Acca, Cifrado, Ecriture, Moss, Uniform Melange, Vidar | HW40  | Black, Bronzed, Polished Aluminium | 3-6 weeks | 9.90 kg | 7.636               | 9.545                |
| Fabric gr. 5 | Karakorum, Sisu                                       | HW40  | Black, Bronzed, Polished Aluminium | 3-6 weeks | 9.90 kg | 9.068               | 11.335               |
| Fabric gr. 6 | Fuse, Gentle  | HW40  | Black, Bronzed, Polished Aluminium | 3-6 weeks | 9.90 kg | 10.144              | 12.680               |
| Leather      | Tailor Semi-aniline leather                           | HW40  | Black, Bronzed, Polished Aluminium | 3-6 weeks | 9.90 kg | 7.996               | 9.995                |
| Leather      | Noble Aniline leather                                 | HW40  | Black, Bronzed, Polished Aluminium | 3-6 weeks | 9.90 kg | 9.428               | 11.785               |
| Leather      | Elmosoft Semi-aniline leather                         | HW40  | Black, Bronzed, Polished Aluminium | 3-6 weeks | 9.90 kg | 10.264              | 12.830               |
| Fabric COM   | COM Fabric  | HW40  | Black, Bronzed, Polished Aluminium | 3-6 weeks | 9.90 kg | 5.964               | 7.455                |

**Material:** Shell made from 100% recycled polypropylene with fiber glass, covered with HR foam with fabric or leather upholstery, aluminium swivel base.

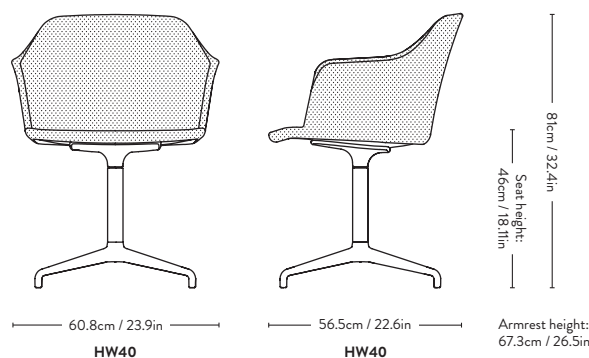
**Fabric usage:** 1.5 meters based on 140cm roll.

**Leather usage:** 2.7 square meters based on a yield of 60% pr hide.

Plastic gliders installed as standard.

Felt gliders available upon request.

COM must be approved by &Tradition to ensure suitability for upholstery.



# Rely HW41

## Hee Welling

### 2021



| Price group  | Upholstery  | Model | Base                               | Lead time | Weight   | PRICE EX. VAT (SEK) | PRICE INC. VAT (SEK) |
|--------------|---|-------|------------------------------------|-----------|----------|---------------------|----------------------|
| Fabric gr. 1 | Hot Madison, Remix, Re-Wool                           | HW41  | Black, Bronzed, Polished Aluminium | 3-6 weeks | 11.00 kg | 6.324               | 7.905                |
| Fabric gr. 2 | Canvas, Barnum, Fiord, Ritz                           | HW41  | Black, Bronzed, Polished Aluminium | 3-6 weeks | 11.00 kg | 7.040               | 8.800                |
| Fabric gr. 3 | Clay, Hallingdal, Steelcut Quartet, Steelcut Trio     | HW41  | Black, Bronzed, Polished Aluminium | 3-6 weeks | 11.00 kg | 7.276               | 9.095                |
| Fabric gr. 4 | Acca, Cifrado, Ecriture, Moss, Uniform Melange, Vidar | HW41  | Black, Bronzed, Polished Aluminium | 3-6 weeks | 11.00 kg | 7.996               | 9.995                |
| Fabric gr. 5 | Karakorum, Sisu                                       | HW41  | Black, Bronzed, Polished Aluminium | 3-6 weeks | 11.00 kg | 9.428               | 11.785               |
| Fabric gr. 6 | Fuse, Gentle  | HW41  | Black, Bronzed, Polished Aluminium | 3-6 weeks | 11.00 kg | 10.384              | 12.980               |
| Leather      | Tailor Semi-aniline leather                           | HW41  | Black, Bronzed, Polished Aluminium | 3-6 weeks | 11.00 kg | 8.352               | 10.440               |
| Leather      | Noble Aniline leather                                 | HW41  | Black, Bronzed, Polished Aluminium | 3-6 weeks | 11.00 kg | 9.784               | 12.230               |
| Leather      | Elmosoft Semi-aniline leather                         | HW41  | Black, Bronzed, Polished Aluminium | 3-6 weeks | 11.00 kg | 10.860              | 13.575               |
| Fabric COM   | COM Fabric  | HW41  | Black, Bronzed, Polished Aluminium | 3-6 weeks | 11.00 kg | 6.324               | 7.905                |

**Material:** Shell made from 100% recycled polypropylene with fiber glass, covered with HR foam with fabric or leather upholstery, aluminium swivel base.

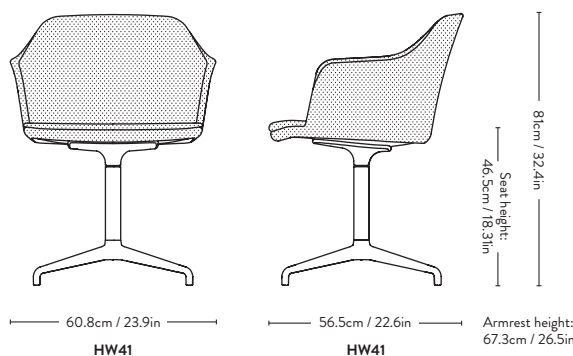
**Fabric usage:** 2.3 meters based on 140cm roll.

**Leather usage:** 3.4 square meters based on a yield of 60% pr hide.

Plastic gliders installed as standard.

Felt gliders available upon request.

COM must be approved by &Tradition to ensure suitability for upholstery.



# Rely <sup>HW42</sup> Hee Welling 2021



Please note that price is accumulated price of shell & seat.

| Price group  | Shell Upholstery                                      | Base                               | Lead time | Weight   | PRICE EX. VAT (SEK) | PRICE INC. VAT (SEK) |
|--------------|---|------------------------------------|-----------|----------|---------------------|----------------------|
| Fabric gr. 1 | Hot Madison, Remix, Re-Wool                           | Black, Bronzed, Polished Aluminium | 3-6 weeks | 11.00 kg | 5.136               | 6.420                |
| Fabric gr. 2 | Canvas, Barnum, Fiord, Ritz                           | Black, Bronzed, Polished Aluminium | 3-6 weeks | 11.00 kg | 5.496               | 6.870                |
| Fabric gr. 3 | Clay, Hallingdal, Steelcut Quartet, Steelcut Trio     | Black, Bronzed, Polished Aluminium | 3-6 weeks | 11.00 kg | 5.616               | 7.020                |
| Fabric gr. 4 | Acca, Cifrado, Ecriture, Moss, Uniform Melange, Vidar | Black, Bronzed, Polished Aluminium | 3-6 weeks | 11.00 kg | 5.968               | 7.460                |
| Fabric gr. 5 | Karakorum, Sisu                                       | Black, Bronzed, Polished Aluminium | 3-6 weeks | 11.00 kg | 6.928               | 8.660                |
| Fabric gr. 6 | Fuse, Gentle  | Black, Bronzed, Polished Aluminium | 3-6 weeks | 11.00 kg | 7.648               | 9.560                |
| Leather      | Tailor Semi-aniline leather                           | Black, Bronzed, Polished Aluminium | 3-6 weeks | 11.00 kg | 6.452               | 8.065                |
| Leather      | Noble Aniline leather                                 | Black, Bronzed, Polished Aluminium | 3-6 weeks | 11.00 kg | 7.768               | 9.710                |
| Leather      | Elmosoft Semi-aniline leather                         | Black, Bronzed, Polished Aluminium | 3-6 weeks | 11.00 kg | 8.364               | 10.455               |
| Fabric COM   | COM Fabric  | Black, Bronzed, Polished Aluminium | 3-6 weeks | 11.00 kg | 5.136               | 6.420                |

| Price group  | Seat Upholstery                                       | Lead time          | PRICE EX. VAT (SEK) | PRICE INC. VAT (SEK) |
|--------------|---|--------------------|---------------------|----------------------|
| Fabric gr. 1 | Hot Madison, Remix, Re-Wool                           | 3-6 weeks 11.00 kg | 1.196               | 1.495                |
| Fabric gr. 2 | Canvas, Barnum, Fiord, Ritz                           | 3-6 weeks 11.00 kg | 1.556               | 1.945                |
| Fabric gr. 3 | Clay, Hallingdal, Steelcut Quartet, Steelcut Trio     | 3-6 weeks 11.00 kg | 1.676               | 2.095                |
| Fabric gr. 4 | Acca, Cifrado, Ecriture, Moss, Uniform Melange, Vidar | 3-6 weeks 11.00 kg | 2.032               | 2.540                |
| Fabric gr. 5 | Karakorum, Sisu                                       | 3-6 weeks 11.00 kg | 2.512               | 3.140                |
| Fabric gr. 6 | Fuse, Gentle  | 3-6 weeks 11.00 kg | 2.752               | 3.440                |
| Leather      | Tailor Semi-aniline leather                           | 3-6 weeks 11.00 kg | 1.912               | 2.390                |
| Leather      | Noble Aniline leather                                 | 3-6 weeks 11.00 kg | 2.032               | 2.540                |
| Leather      | Elmosoft Semi-aniline leather                         | 3-6 weeks 11.00 kg | 2.512               | 3.140                |
| Fabric COM   | COM Fabric  | 3-6 weeks 11.00 kg | 1.196               | 1.495                |

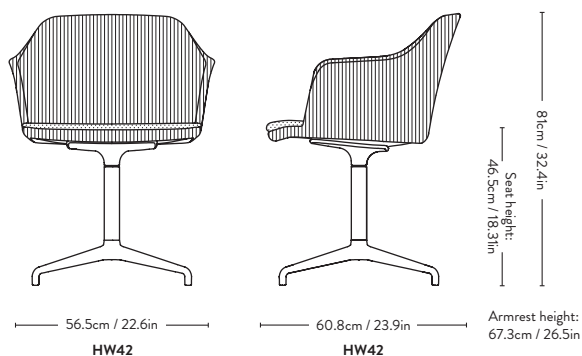
**Material:** Shell made from 100% recycled polypropylene with fiber glass, covered with HR foam with fabric or leather upholstery, aluminium swivel base.

**Fabric usage:** 1.5 meters (shell), 0.77 meters (cushion) based on 140cm roll.  
**Leather usage:** 2.64 square meters (shell), 0.77 square meters (cushion) based on a yield of 60% pr hide.

Plastic gliders installed as standard.  
Felt gliders available upon request.

COM must be approved by &Tradition to ensure suitability for upholstery.

**Minimum order quantity of same variant: 4 pcs.**



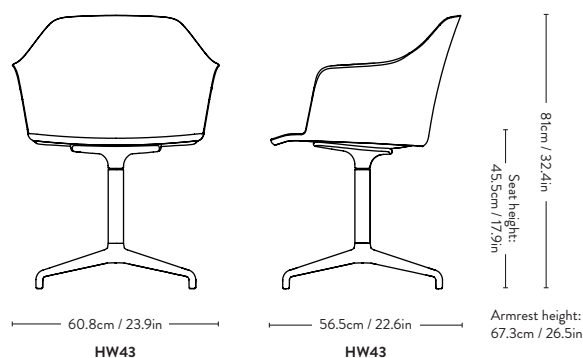
# Rely <sup>HW43</sup> Hee Welling 2021



| Item code | Shell Colour  | Model | Base                               | Lead time | Weight  | PRICE EX. VAT (SEK) | PRICE INC. VAT (SEK) |
|-----------|---------------|-------|------------------------------------|-----------|---------|---------------------|----------------------|
| HW        | Black         | HW43  | Black, Bronzed, Polished Aluminium | 2-3 weeks | 9.40 kg | 3.816               | 4.770                |
| HW        | White         | HW43  | Black, Bronzed, Polished Aluminium | 2-3 weeks | 9.40 kg | 3.816               | 4.770                |
| HW        | Beige Sand    | HW43  | Black, Bronzed, Polished Aluminium | 2-3 weeks | 9.40 kg | 3.816               | 4.770                |
| HW        | Red Brown     | HW43  | Black, Bronzed, Polished Aluminium | 2-3 weeks | 9.40 kg | 3.816               | 4.770                |
| HW        | Light Blue    | HW43  | Black, Bronzed, Polished Aluminium | 2-3 weeks | 9.40 kg | 3.816               | 4.770                |
| HW        | Stone Grey    | HW43  | Black, Bronzed, Polished Aluminium | 2-3 weeks | 9.40 kg | 3.816               | 4.770                |
| HW        | Vermilion red | HW43  | Black, Bronzed, Polished Aluminium | 2-3 weeks | 9.40 kg | 3.816               | 4.770                |
| HW        | Bronze green  | HW43  | Black, Bronzed, Polished Aluminium | 2-3 weeks | 9.40 kg | 3.816               | 4.770                |
| HW        | Soft Pink     | HW43  | Black, Bronzed, Polished Aluminium | 2-3 weeks | 9.40 kg | 3.816               | 4.770                |

**Material:** Shell made from 100% recycled polypropylene with fiber glass and an aluminium swivel base w. return function.

Plastic gliders installed as standard.  
Felt gliders available upon request.



# Rely HW44 Hee Welling 2021



| Price group  | Shell Colour  | Seat Cushion Upholstery                               | Base                               | Lead time | Weight   | PRICE EX. VAT (SEK) | PRICE INC. VAT (SEK) |
|--------------|---|---|------------------------------------|-----------|----------|---------------------|----------------------|
| Fabric gr. 1 | Black, White, Beige Sand, Red Brown, Light Blue, Stone Grey, Vermilion red, Bronze green, Soft Pink | Hot Madison, Remix, Re-Wool                           | Black, Bronzed, Polished Aluminium | 3-6 weeks | 10.70 kg | 5.488               | 6.860                |
| Fabric gr. 2 | Black, White, Beige Sand, Red Brown, Light Blue, Stone Grey, Vermilion red, Bronze green, Soft Pink | Canvas, Barnum, Fiord, Ritz                           | Black, Bronzed, Polished Aluminium | 3-6 weeks | 10.70 kg | 5.844               | 7.305                |
| Fabric gr. 3 | Black, White, Beige Sand, Red Brown, Light Blue, Stone Grey, Vermilion red, Bronze green, Soft Pink | Clay, Hallingdal, Steelcut Quartet, Steelcut Trio     | Black, Bronzed, Polished Aluminium | 3-6 weeks | 10.70 kg | 5.964               | 7.455                |
| Fabric gr. 4 | Black, White, Beige Sand, Red Brown, Light Blue, Stone Grey, Vermilion red, Bronze green, Soft Pink | Acca, Cifrado, Ecriture, Moss, Uniform Melange, Vidar | Black, Bronzed, Polished Aluminium | 3-6 weeks | 10.70 kg | 6.324               | 7.905                |
| Fabric gr. 5 | Black, White, Beige Sand, Red Brown, Light Blue, Stone Grey, Vermilion red, Bronze green, Soft Pink | Karakorum, Sisu                                       | Black, Bronzed, Polished Aluminium | 3-6 weeks | 10.70 kg | 6.800               | 8.500                |
| Fabric gr. 6 | Black, White, Beige Sand, Red Brown, Light Blue, Stone Grey, Vermilion red, Bronze green, Soft Pink | Fuse, Gentle  | Black, Bronzed, Polished Aluminium | 3-6 weeks | 10.70 kg | 7.516               | 9.395                |
| Leather      | Black, White, Beige Sand, Red Brown, Light Blue, Stone Grey, Vermilion red, Bronze green, Soft Pink | Tailor Semi-aniline leather                           | Black, Bronzed, Polished Aluminium | 3-6 weeks | 10.70 kg | 5.964               | 7.455                |
| Leather      | Black, White, Beige Sand, Red Brown, Light Blue, Stone Grey, Vermilion red, Bronze green, Soft Pink | Noble Aniline leather                                 | Black, Bronzed, Polished Aluminium | 3-6 weeks | 10.70 kg | 6.324               | 7.905                |
| Leather      | Black, White, Beige Sand, Red Brown, Light Blue, Stone Grey, Vermilion red, Bronze green, Soft Pink | Elmosoft Semi-aniline leather                         | Black, Bronzed, Polished Aluminium | 3-6 weeks | 10.70 kg | 6.680               | 8.350                |
| Fabric COM   | Black, White, Beige Sand, Red Brown, Light Blue, Stone Grey, Vermilion red, Bronze green, Soft Pink | COM Fabric  | Black, Bronzed, Polished Aluminium | 3-6 weeks | 10.70 kg | 5.488               | 6.860                |

**Material:** Shell made from 100% recycled polypropylene with fiber glass, HR foam seat covered with fabric or leather upholstery, aluminium swivel base w. return function.

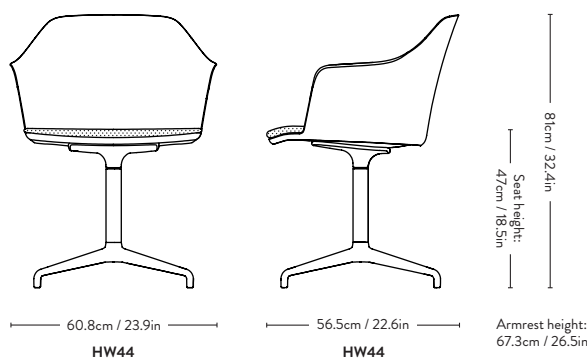
**Fabric usage:** 0.49 meter based on a 140 cm roll.

**Leather usage:** 1 square meter based on a yield of 60% pr hide.

COM must be approved by &Tradition to ensure suitability for upholstery.

Plastic gliders installed as standard.

Felt gliders available upon request.



# Rely <sup>HW45</sup> Hee Welling 2021



| Price group  | Upholstery  | Model | Base                               | Lead time | Weight  | PRICE EX. VAT (SEK) | PRICE INC. VAT (SEK) |
|--------------|---|-------|------------------------------------|-----------|---------|---------------------|----------------------|
| Fabric gr. 1 | Hot Madison, Remix, Re-Wool                           | HW45  | Black, Bronzed, Polished Aluminium | 3-6 weeks | 9.90 kg | 6.440               | 8.050                |
| Fabric gr. 2 | Canvas, Barnum, Fiord, Ritz                           | HW45  | Black, Bronzed, Polished Aluminium | 3-6 weeks | 9.90 kg | 7.160               | 8.950                |
| Fabric gr. 3 | Clay, Hallingdal, Steelcut Quartet, Steelcut Trio     | HW45  | Black, Bronzed, Polished Aluminium | 3-6 weeks | 9.90 kg | 7.396               | 9.245                |
| Fabric gr. 4 | Acca, Cifrado, Ecriture, Moss, Uniform Melange, Vidar | HW45  | Black, Bronzed, Polished Aluminium | 3-6 weeks | 9.90 kg | 8.112               | 10.140               |
| Fabric gr. 5 | Karakorum, Sisu                                       | HW45  | Black, Bronzed, Polished Aluminium | 3-6 weeks | 9.90 kg | 9.548               | 11.935               |
| Fabric gr. 6 | Fuse, Gentle  | HW45  | Black, Bronzed, Polished Aluminium | 3-6 weeks | 9.90 kg | 10.500              | 13.125               |
| Leather      | Tailor Semi-aniline leather                           | HW45  | Black, Bronzed, Polished Aluminium | 3-6 weeks | 9.90 kg | 8.472               | 10.590               |
| Leather      | Noble Aniline leather                                 | HW45  | Black, Bronzed, Polished Aluminium | 3-6 weeks | 9.90 kg | 9.904               | 12.380               |
| Leather      | Elmosoft Semi-aniline leather                         | HW45  | Black, Bronzed, Polished Aluminium | 3-6 weeks | 9.90 kg | 10.740              | 13.425               |
| Fabric COM   | COM Fabric  | HW45  | Black, Bronzed, Polished Aluminium | 3-6 weeks | 9.90 kg | 6.440               | 8.050                |

**Material:** Shell made from 100% recycled polypropylene with fiber glass, covered with HR foam with fabric or leather upholstery, aluminium swivel base with return.

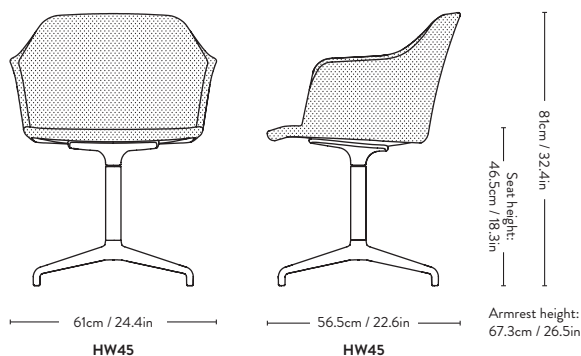
**Fabric usage:** 1.5 meters based on 140cm roll.

**Leather usage:** 2.7 square meters based on a yield of 60% pr hide.

Plastic gliders installed as standard.

Felt gliders available upon request.

COM must be approved by &Tradition to ensure suitability for upholstery.



# Rely <sup>HW46</sup> Hee Welling 2021



| Price group  | Upholstery  | Model | Base                               | Lead time | Weight   | PRICE EX. VAT (SEK) | PRICE INC. VAT (SEK) |
|--------------|---|-------|------------------------------------|-----------|----------|---------------------|----------------------|
| Fabric gr. 1 | Hot Madison, Remix, Re-Wool                           | HW46  | Black, Bronzed, Polished Aluminium | 3-6 weeks | 11.00 kg | 6.800               | 8.500                |
| Fabric gr. 2 | Canvas, Barnum, Fiord, Ritz                           | HW46  | Black, Bronzed, Polished Aluminium | 3-6 weeks | 11.00 kg | 7.516               | 9.395                |
| Fabric gr. 3 | Clay, Hallingdal, Steelcut Quartet, Steelcut Trio     | HW46  | Black, Bronzed, Polished Aluminium | 3-6 weeks | 11.00 kg | 7.756               | 9.695                |
| Fabric gr. 4 | Acca, Cifrado, Ecriture, Moss, Uniform Melange, Vidar | HW46  | Black, Bronzed, Polished Aluminium | 3-6 weeks | 11.00 kg | 8.472               | 10.590               |
| Fabric gr. 5 | Karakorum, Sisu                                       | HW46  | Black, Bronzed, Polished Aluminium | 3-6 weeks | 11.00 kg | 9.904               | 12.380               |
| Fabric gr. 6 | Fuse, Gentle  | HW46  | Black, Bronzed, Polished Aluminium | 3-6 weeks | 11.00 kg | 10.860              | 13.575               |
| Leather      | Tailor Semi-aniline leather                           | HW46  | Black, Bronzed, Polished Aluminium | 3-6 weeks | 11.00 kg | 8.828               | 11.035               |
| Leather      | Noble Aniline leather                                 | HW46  | Black, Bronzed, Polished Aluminium | 3-6 weeks | 11.00 kg | 10.264              | 12.830               |
| Leather      | Elmosoft Semi-aniline leather                         | HW46  | Black, Bronzed, Polished Aluminium | 3-6 weeks | 11.00 kg | 11.336              | 14.170               |
| Fabric COM   | COM Fabric  | HW46  | Black, Bronzed, Polished Aluminium | 3-6 weeks | 11.00 kg | 6.800               | 8.500                |

**Material:** Shell made from 100% recycled polypropylene with fiber glass, covered with HR foam with fabric or leather upholstery, aluminium swivel base with return.

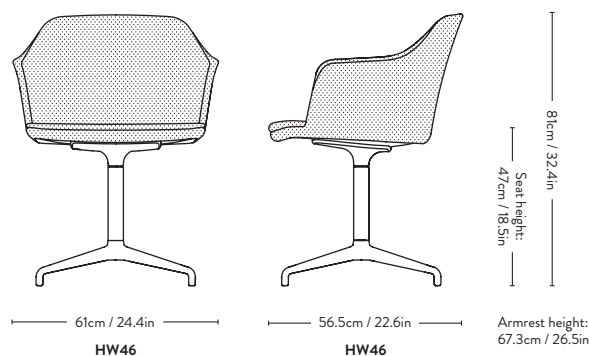
**Fabric usage:** 2.3 meters based on 140cm roll.

**Leather usage:** 3.4 square meters based on a yield of 60% pr hide.

Plastic gliders installed as standard.

Felt gliders available upon request.

COM must be approved by &Tradition to ensure suitability for upholstery.



# Rely <sup>HW47</sup> Hee Welling 2021



Please note that price is accumulated price of shell & seat.

| Price group  | Shell Upholstery                                      | Base                               | Lead time | Weight   | PRICE EX. VAT (SEK) | PRICE INC. VAT (SEK) |
|--------------|---|------------------------------------|-----------|----------|---------------------|----------------------|
| Fabric gr. 1 | Hot Madison, Remix, Re-Wool                           | Black, Bronzed, Polished Aluminium | 3-6 weeks | 11.00 kg | 5.616               | 7.020                |
| Fabric gr. 2 | Canvas, Barnum, Fiord, Ritz                           | Black, Bronzed, Polished Aluminium | 3-6 weeks | 11.00 kg | 5.972               | 7.465                |
| Fabric gr. 3 | Clay, Hallingdal, Steelcut Quartet, Steelcut Trio     | Black, Bronzed, Polished Aluminium | 3-6 weeks | 11.00 kg | 6.092               | 7.615                |
| Fabric gr. 4 | Acca, Cifrado, Ecriture, Moss, Uniform Melange, Vidar | Black, Bronzed, Polished Aluminium | 3-6 weeks | 11.00 kg | 6.444               | 8.055                |
| Fabric gr. 5 | Karakorum, Sisu                                       | Black, Bronzed, Polished Aluminium | 3-6 weeks | 11.00 kg | 7.408               | 9.260                |
| Fabric gr. 6 | Fuse, Gentle  | Black, Bronzed, Polished Aluminium | 3-6 weeks | 11.00 kg | 8.124               | 10.155               |
| Leather      | Tailor Semi-aniline leather                           | Black, Bronzed, Polished Aluminium | 3-6 weeks | 11.00 kg | 6.916               | 8.645                |
| Leather      | Noble Aniline leather                                 | Black, Bronzed, Polished Aluminium | 3-6 weeks | 11.00 kg | 8.236               | 10.295               |
| Leather      | Elmosoft Semi-aniline leather                         | Black, Bronzed, Polished Aluminium | 3-6 weeks | 11.00 kg | 8.844               | 11.055               |
| Fabric COM   | COM Fabric  | Black, Bronzed, Polished Aluminium | 3-6 weeks | 11.00 kg | 5.616               | 7.020                |

| Price group  | Seat Upholstery                                       | Lead time | PRICE EX. VAT (SEK) | PRICE INC. VAT (SEK) |
|--------------|---|-----------|---------------------|----------------------|
| Fabric gr. 1 | Hot Madison, Remix, Re-Wool                           | 3-6 weeks | 1.196               | 1.495                |
| Fabric gr. 2 | Canvas, Barnum, Fiord, Ritz                           | 3-6 weeks | 1.556               | 1.945                |
| Fabric gr. 3 | Clay, Hallingdal, Steelcut Quartet, Steelcut Trio     | 3-6 weeks | 1.676               | 2.095                |
| Fabric gr. 4 | Acca, Cifrado, Ecriture, Moss, Uniform Melange, Vidar | 3-6 weeks | 2.032               | 2.540                |
| Fabric gr. 5 | Karakorum, Sisu                                       | 3-6 weeks | 2.512               | 3.140                |
| Fabric gr. 6 | Fuse, Gentle  | 3-6 weeks | 2.752               | 3.440                |
| Leather      | Tailor Semi-aniline leather                           | 3-6 weeks | 1.912               | 2.390                |
| Leather      | Noble Aniline leather                                 | 3-6 weeks | 2.032               | 2.540                |
| Leather      | Elmosoft Semi-aniline leather                         | 3-6 weeks | 2.512               | 3.140                |
| Fabric COM   | COM Fabric  | 3-6 weeks | 1.196               | 1.495                |

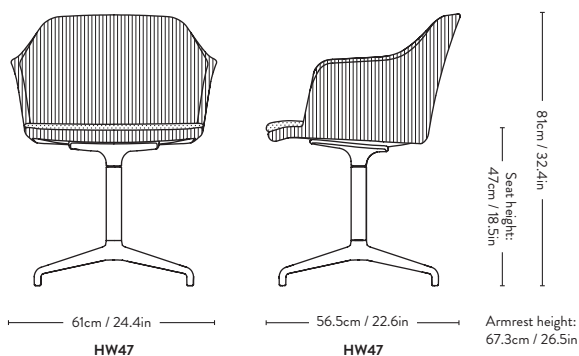
**Material:** Shell made from 100% recycled polypropylene with fiber glass, covered with HR foam with fabric or leather upholstery, aluminium swivel base with return.

**Fabric usage:** 1.5 meters (shell), 0.77 meters (cushion) based on 140cm roll.  
**Leather usage:** 2.64 square meters (shell), 0.77 square meters (cushion) based on a yield of 60% pr hide.

Plastic gliders installed as standard.  
Felt gliders available upon request.

COM must be approved by &Tradition to ensure suitability for upholstery.

**Minimum order quantity of same variant: 4 pcs.**





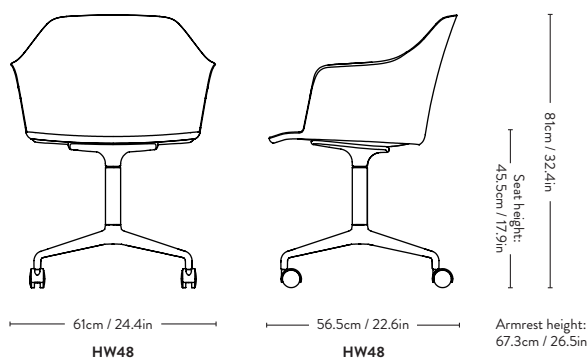
# Rely <sup>HW48</sup> Hee Welling 2021



| Item code | Shell Colour  | Model | Base                               | Lead time | Weight  | PRICE EX. VAT (SEK) | PRICE INC. VAT (SEK) |
|-----------|---------------|-------|------------------------------------|-----------|---------|---------------------|----------------------|
| HW        | Black         | HW48  | Black, Bronzed, Polished Aluminium | 2-3 weeks | 9.40 kg | 3.816               | 4.770                |
| HW        | White         | HW48  | Black, Bronzed, Polished Aluminium | 2-3 weeks | 9.40 kg | 3.816               | 4.770                |
| HW        | Beige Sand    | HW48  | Black, Bronzed, Polished Aluminium | 2-3 weeks | 9.40 kg | 3.816               | 4.770                |
| HW        | Red Brown     | HW48  | Black, Bronzed, Polished Aluminium | 2-3 weeks | 9.40 kg | 3.816               | 4.770                |
| HW        | Light Blue    | HW48  | Black, Bronzed, Polished Aluminium | 2-3 weeks | 9.40 kg | 3.816               | 4.770                |
| HW        | Stone Grey    | HW48  | Black, Bronzed, Polished Aluminium | 2-3 weeks | 9.40 kg | 3.816               | 4.770                |
| HW        | Vermilion red | HW48  | Black, Bronzed, Polished Aluminium | 2-3 weeks | 9.40 kg | 3.816               | 4.770                |
| HW        | Bronze green  | HW48  | Black, Bronzed, Polished Aluminium | 2-3 weeks | 9.40 kg | 3.816               | 4.770                |
| HW        | Soft Pink     | HW48  | Black, Bronzed, Polished Aluminium | 2-3 weeks | 9.40 kg | 3.816               | 4.770                |

**Material:** Shell made from 100% recycled polypropylene with fiber glass, aluminium swivel base with castors.

Castors suitable for all floor types.



# Rely HW49 Hee Welling 2021



| Price group  | Shell Colour  | Seat Cushion Upholstery                               | Base                               | Lead time | Weight   | PRICE EX. VAT (SEK) | PRICE INC. VAT (SEK) |
|--------------|---|---|------------------------------------|-----------|----------|---------------------|----------------------|
| Fabric gr. 1 | Black, White, Beige Sand, Red Brown, Light Blue, Stone Grey, Vermilion red, Bronze green, Soft Pink | Hot Madison, Remix, Re-Wool                           | Black, Bronzed, Polished Aluminium | 3-6 weeks | 10.70 kg | 5.488               | 6.860                |
| Fabric gr. 2 | Black, White, Beige Sand, Red Brown, Light Blue, Stone Grey, Vermilion red, Bronze green, Soft Pink | Canvas, Barnum, Fiord, Ritz                           | Black, Bronzed, Polished Aluminium | 3-6 weeks | 10.70 kg | 5.844               | 7.305                |
| Fabric gr. 3 | Black, White, Beige Sand, Red Brown, Light Blue, Stone Grey, Vermilion red, Bronze green, Soft Pink | Clay, Hallingdal, Steelcut Quartet, Steelcut Trio     | Black, Bronzed, Polished Aluminium | 3-6 weeks | 10.70 kg | 5.964               | 7.455                |
| Fabric gr. 4 | Black, White, Beige Sand, Red Brown, Light Blue, Stone Grey, Vermilion red, Bronze green, Soft Pink | Acca, Cifrado, Ecriture, Moss, Uniform Melange, Vidar | Black, Bronzed, Polished Aluminium | 3-6 weeks | 10.70 kg | 6.324               | 7.905                |
| Fabric gr. 5 | Black, White, Beige Sand, Red Brown, Light Blue, Stone Grey, Vermilion red, Bronze green, Soft Pink | Karakorum, Sisu                                       | Black, Bronzed, Polished Aluminium | 3-6 weeks | 10.70 kg | 6.800               | 8.500                |
| Fabric gr. 6 | Black, White, Beige Sand, Red Brown, Light Blue, Stone Grey, Vermilion red, Bronze green, Soft Pink | Fuse, Gentle  | Black, Bronzed, Polished Aluminium | 3-6 weeks | 10.70 kg | 7.396               | 9.245                |
| Leather      | Black, White, Beige Sand, Red Brown, Light Blue, Stone Grey, Vermilion red, Bronze green, Soft Pink | Tailor Semi-aniline leather                           | Black, Bronzed, Polished Aluminium | 3-6 weeks | 10.70 kg | 5.964               | 7.455                |
| Leather      | Black, White, Beige Sand, Red Brown, Light Blue, Stone Grey, Vermilion red, Bronze green, Soft Pink | Noble Aniline leather                                 | Black, Bronzed, Polished Aluminium | 3-6 weeks | 10.70 kg | 6.324               | 7.905                |
| Leather      | Black, White, Beige Sand, Red Brown, Light Blue, Stone Grey, Vermilion red, Bronze green, Soft Pink | Elmosoft Semi-aniline leather                         | Black, Bronzed, Polished Aluminium | 3-6 weeks | 10.70 kg | 6.680               | 8.350                |
| Fabric COM   | Black, White, Beige Sand, Red Brown, Light Blue, Stone Grey, Vermilion red, Bronze green, Soft Pink | COM Fabric  | Black, Bronzed, Polished Aluminium | 3-6 weeks | 10.70 kg | 5.488               | 6.860                |

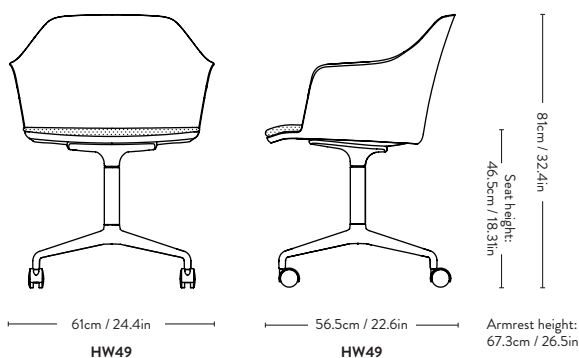
**Material:** Shell made from 100% recycled polypropylene with fiber glass, HR foam seat covered with fabric or leather upholstery, aluminium swivel base and castors.

**Fabric usage:** 0.49 meter based on a 140 cm roll.

**Leather usage:** 1 square meter based on a yield of 60% pr hide.

Castors suitable for all floor types.

COM must be approved by &Tradition to ensure suitability for upholstery.



# Rely HW50

## Hee Welling

### 2021



| Price group  | Upholstery  | Model | Base                               | Lead time | Weight  | PRICE EX. VAT (SEK) | PRICE INC. VAT (SEK) |
|--------------|---|-------|------------------------------------|-----------|---------|---------------------|----------------------|
| Fabric gr. 1 | Hot Madison, Remix, Re-Wool                           | HW50  | Black, Bronzed, Polished Aluminium | 3-6 weeks | 9.90 kg | 6.440               | 8.050                |
| Fabric gr. 2 | Canvas, Barnum, Fiord, Ritz                           | HW50  | Black, Bronzed, Polished Aluminium | 3-6 weeks | 9.90 kg | 7.160               | 8.950                |
| Fabric gr. 3 | Clay, Hallingdal, Steelcut Quartet, Steelcut Trio     | HW50  | Black, Bronzed, Polished Aluminium | 3-6 weeks | 9.90 kg | 7.396               | 9.245                |
| Fabric gr. 4 | Acca, Cifrado, Ecriture, Moss, Uniform Melange, Vidar | HW50  | Black, Bronzed, Polished Aluminium | 3-6 weeks | 9.90 kg | 8.112               | 10.140               |
| Fabric gr. 5 | Karakorum, Sisu                                       | HW50  | Black, Bronzed, Polished Aluminium | 3-6 weeks | 9.90 kg | 9.548               | 11.935               |
| Fabric gr. 6 | Fuse, Gentle  | HW50  | Black, Bronzed, Polished Aluminium | 3-6 weeks | 9.90 kg | 10.500              | 13.125               |
| Leather      | Tailor Semi-aniline leather                           | HW50  | Black, Bronzed, Polished Aluminium | 3-6 weeks | 9.90 kg | 8.472               | 10.590               |
| Leather      | Noble Aniline leather                                 | HW50  | Black, Bronzed, Polished Aluminium | 3-6 weeks | 9.90 kg | 9.904               | 12.380               |
| Leather      | Elmosoft Semi-aniline leather                         | HW50  | Black, Bronzed, Polished Aluminium | 3-6 weeks | 9.90 kg | 10.740              | 13.425               |
| Fabric COM   | COM Fabric  | HW50  | Black, Bronzed, Polished Aluminium | 3-6 weeks | 9.90 kg | 6.440               | 8.050                |

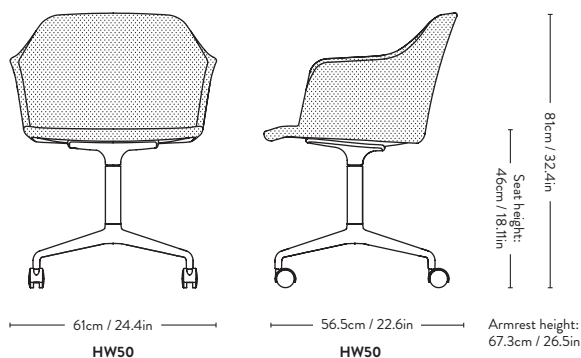
**Material:** Shell made from 100% recycled polypropylene with fiber glass, covered with HR foam with fabric or leather upholstery, aluminium swivel base with castors.

**Fabric usage:** 1.5 meters based on 140cm roll.

**Leather usage:** 2.7 square meters based on a yield of 60% pr hide.

Castors suitable for all floor types.

COM must be approved by &Tradition to ensure suitability for upholstery.



# Rely <sup>HW51</sup> Hee Welling 2021



| Price group  | Upholstery  | Model | Base                               | Lead time | Weight   | PRICE EX. VAT (SEK) | PRICE INC. VAT (SEK) |
|--------------|---|-------|------------------------------------|-----------|----------|---------------------|----------------------|
| Fabric gr. 1 | Hot Madison, Remix, Re-Wool                           | HW51  | Black, Bronzed, Polished Aluminium | 3-6 weeks | 11.00 kg | 6.800               | 8.500                |
| Fabric gr. 2 | Canvas, Barnum, Fiord, Ritz                           | HW51  | Black, Bronzed, Polished Aluminium | 3-6 weeks | 11.00 kg | 7.516               | 9.395                |
| Fabric gr. 3 | Clay, Hallingdal, Steelcut Quartet, Steelcut Trio     | HW51  | Black, Bronzed, Polished Aluminium | 3-6 weeks | 11.00 kg | 7.636               | 9.545                |
| Fabric gr. 4 | Acca, Cifrado, Ecriture, Moss, Uniform Melange, Vidar | HW51  | Black, Bronzed, Polished Aluminium | 3-6 weeks | 11.00 kg | 8.472               | 10.590               |
| Fabric gr. 5 | Karakorum, Sisu                                       | HW51  | Black, Bronzed, Polished Aluminium | 3-6 weeks | 11.00 kg | 9.904               | 12.380               |
| Fabric gr. 6 | Fuse, Gentle  | HW51  | Black, Bronzed, Polished Aluminium | 3-6 weeks | 11.00 kg | 10.860              | 13.575               |
| Leather      | Tailor Semi-aniline leather                           | HW51  | Black, Bronzed, Polished Aluminium | 3-6 weeks | 11.00 kg | 8.828               | 11.035               |
| Leather      | Noble Aniline leather                                 | HW51  | Black, Bronzed, Polished Aluminium | 3-6 weeks | 11.00 kg | 10.264              | 12.830               |
| Leather      | Elmosoft Semi-aniline leather                         | HW51  | Black, Bronzed, Polished Aluminium | 3-6 weeks | 11.00 kg | 11.336              | 14.170               |
| Fabric COM   | COM Fabric  | HW51  | Black, Bronzed, Polished Aluminium | 3-6 weeks | 11.00 kg | 6.800               | 8.500                |

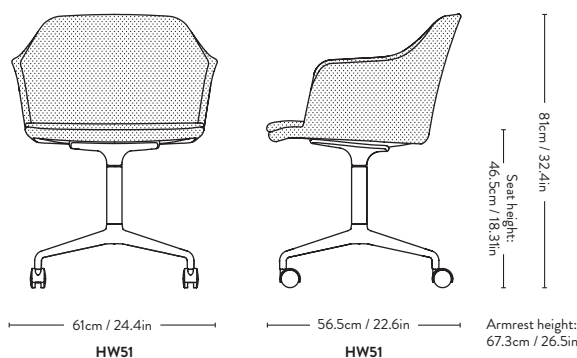
**Material:** Shell made from 100% recycled polypropylene with fiber glass, covered with HR foam with fabric or leather upholstery, aluminium swivel base with castors.

**Fabric usage:** 2.3 meters based on 140cm roll.

**Leather usage:** 3.4 square meters based on a yield of 60% pr hide.

Castors suitable for all floor types.

COM must be approved by &Tradition to ensure suitability for upholstery.



# Rely <sup>HW52</sup> Hee Welling 2021



Please note that price is accumulated price of shell & seat.

| Price group  | Shell Upholstery                                      | Base                               | Lead time | Weight   | PRICE EX. VAT (SEK) | PRICE INC. VAT (SEK) |
|--------------|---|------------------------------------|-----------|----------|---------------------|----------------------|
| Fabric gr. 1 | Hot Madison, Remix, Re-Wool                           | Black, Bronzed, Polished Aluminium | 3-6 weeks | 11.00 kg | 5.616               | 7.020                |
| Fabric gr. 2 | Canvas, Barnum, Fiord, Ritz                           | Black, Bronzed, Polished Aluminium | 3-6 weeks | 11.00 kg | 5.972               | 7.465                |
| Fabric gr. 3 | Clay, Hallingdal, Steelcut Quartet, Steelcut Trio     | Black, Bronzed, Polished Aluminium | 3-6 weeks | 11.00 kg | 5.972               | 7.465                |
| Fabric gr. 4 | Acca, Cifrado, Ecriture, Moss, Uniform Melange, Vidar | Black, Bronzed, Polished Aluminium | 3-6 weeks | 11.00 kg | 6.444               | 8.055                |
| Fabric gr. 5 | Karakorum, Sisu                                       | Black, Bronzed, Polished Aluminium | 3-6 weeks | 11.00 kg | 7.408               | 9.260                |
| Fabric gr. 6 | Fuse, Gentle  | Black, Bronzed, Polished Aluminium | 3-6 weeks | 11.00 kg | 8.124               | 10.155               |
| Leather      | Tailor Semi-aniline leather                           | Black, Bronzed, Polished Aluminium | 3-6 weeks | 11.00 kg | 6.916               | 8.645                |
| Leather      | Noble Aniline leather                                 | Black, Bronzed, Polished Aluminium | 3-6 weeks | 11.00 kg | 8.236               | 10.295               |
| Leather      | Elmosoft Semi-aniline leather                         | Black, Bronzed, Polished Aluminium | 3-6 weeks | 11.00 kg | 8.844               | 11.055               |
| Fabric COM   | COM Fabric  | Black, Bronzed, Polished Aluminium | 3-6 weeks | 11.00 kg | 5.616               | 7.020                |

| Price group  | Seat Upholstery                                       | Lead time | PRICE EX. VAT (SEK) | PRICE INC. VAT (SEK) |
|--------------|---|-----------|---------------------|----------------------|
| Fabric gr. 1 | Hot Madison, Remix, Re-Wool                           | 3-6 weeks | 1.196               | 1.495                |
| Fabric gr. 2 | Canvas, Barnum, Fiord, Ritz                           | 3-6 weeks | 1.556               | 1.945                |
| Fabric gr. 3 | Clay, Hallingdal, Steelcut Quartet, Steelcut Trio     | 3-6 weeks | 1.676               | 2.095                |
| Fabric gr. 4 | Acca, Cifrado, Ecriture, Moss, Uniform Melange, Vidar | 3-6 weeks | 2.032               | 2.540                |
| Fabric gr. 5 | Karakorum, Sisu                                       | 3-6 weeks | 2.512               | 3.140                |
| Fabric gr. 6 | Fuse, Gentle  | 3-6 weeks | 2.752               | 3.440                |
| Leather      | Tailor Semi-aniline leather                           | 3-6 weeks | 1.912               | 2.390                |
| Leather      | Noble Aniline leather                                 | 3-6 weeks | 2.032               | 2.540                |
| Leather      | Elmosoft Semi-aniline leather                         | 3-6 weeks | 2.512               | 3.140                |
| Fabric COM   | COM Fabric  | 3-6 weeks | 1.196               | 1.495                |

**Material:** Shell made from 100% recycled polypropylene with fiber glass, covered with HR foam with fabric or leather upholstery, aluminium swivel base with castors.

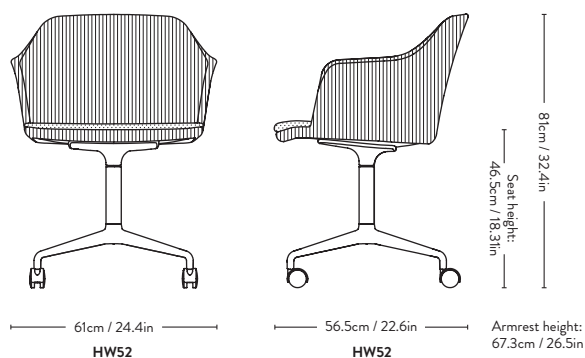
**Fabric usage:** 1.5 meters (shell), 0.77 meters (cushion) based on 140cm roll.

**Leather usage:** 2.64 square meters (shell), 0.77 square meters (cushion) based on a yield of 60% pr hide.

COM must be approved by &Tradition to ensure suitability for upholstery.

Castors suitable for all floor types.

**Minimum order quantity of same variant: 4 pcs.**



# Rely <sup>HW53</sup> Hee Welling 2021



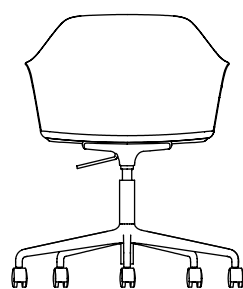
| Item code | Shell Colour  | Model | Base                      | Lead time | Weight   | PRICE EX. VAT (SEK) | PRICE INC. VAT (SEK) |
|-----------|---------------|-------|---------------------------|-----------|----------|---------------------|----------------------|
| HW        | Black         | HW53  | Black, Polished Aluminium | 2-3 weeks | 10.50 kg | 4.532               | 5.665                |
| HW        | White         | HW53  | Black, Polished Aluminium | 2-3 weeks | 10.50 kg | 4.532               | 5.665                |
| HW        | Beige Sand    | HW53  | Black, Polished Aluminium | 2-3 weeks | 10.50 kg | 4.532               | 5.665                |
| HW        | Red Brown     | HW53  | Black, Polished Aluminium | 2-3 weeks | 10.50 kg | 4.532               | 5.665                |
| HW        | Light Blue    | HW53  | Black, Polished Aluminium | 2-3 weeks | 10.50 kg | 4.532               | 5.665                |
| HW        | Stone Grey    | HW53  | Black, Polished Aluminium | 2-3 weeks | 10.50 kg | 4.532               | 5.665                |
| HW        | Vermilion red | HW53  | Black, Polished Aluminium | 2-3 weeks | 10.50 kg | 4.532               | 5.665                |
| HW        | Bronze green  | HW53  | Black, Polished Aluminium | 2-3 weeks | 10.50 kg | 4.532               | 5.665                |
| HW        | Soft Pink     | HW53  | Black, Polished Aluminium | 2-3 weeks | 10.50 kg | 4.532               | 5.665                |

**Material:** Shell made from 100% recycled polypropylene with fiber glass, cast aluminium 5-star swivel base w. gaslift & castors.

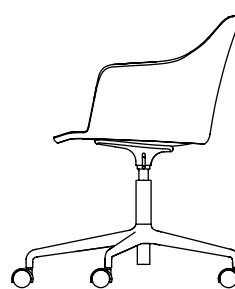
Castors suitable for all floor types.



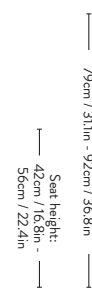
EU Ecolabel certified, validating high standards of durability, circular design, and responsible use of chemicals. Please contact our sales team for a list of EU Ecolabel compliant combinations.



66cm / 26.4in  
HW53



66cm / 26.4in  
HW53



Seat height:  
42cm / 16.5in -  
30cm / 12.2in  
Armrest height:  
66.5cm / 26.2in - 79cm / 31.1in

# Rely HW54

## Hee Welling

### 2021



| Price group  | Shell Colour  | Seat Cushion Upholstery                               | Base                      | Lead time | Weight   | PRICE EX. VAT (SEK) | PRICE INC. VAT (SEK) |
|--------------|---|---|---------------------------|-----------|----------|---------------------|----------------------|
| Fabric gr. 1 | Black, White, Beige Sand, Red Brown, Light Blue, Stone Grey, Vermilion red, Bronze green, Soft Pink | Hot Madison, Remix, Re-Wool                           | Black, Polished Aluminium | 3-6 weeks | 11.80 kg | 5.724               | 7.155                |
| Fabric gr. 2 | Black, White, Beige Sand, Red Brown, Light Blue, Stone Grey, Vermilion red, Bronze green, Soft Pink | Canvas, Barnum, Fiord, Ritz                           | Black, Polished Aluminium | 3-6 weeks | 11.80 kg | 6.084               | 7.605                |
| Fabric gr. 3 | Black, White, Beige Sand, Red Brown, Light Blue, Stone Grey, Vermilion red, Bronze green, Soft Pink | Clay, Hallingdal, Steelcut Quartet, Steelcut Trio     | Black, Polished Aluminium | 3-6 weeks | 11.80 kg | 6.204               | 7.755                |
| Fabric gr. 4 | Black, White, Beige Sand, Red Brown, Light Blue, Stone Grey, Vermilion red, Bronze green, Soft Pink | Acca, Cifrado, Ecriture, Moss, Uniform Melange, Vidar | Black, Polished Aluminium | 3-6 weeks | 11.80 kg | 6.560               | 8.200                |
| Fabric gr. 5 | Black, White, Beige Sand, Red Brown, Light Blue, Stone Grey, Vermilion red, Bronze green, Soft Pink | Karakorum, Sisu                                       | Black, Polished Aluminium | 3-6 weeks | 11.80 kg | 7.040               | 8.800                |
| Fabric gr. 6 | Black, White, Beige Sand, Red Brown, Light Blue, Stone Grey, Vermilion red, Bronze green, Soft Pink | Fuse, Gentle  | Black, Polished Aluminium | 3-6 weeks | 11.80 kg | 7.756               | 9.695                |
| Leather      | Black, White, Beige Sand, Red Brown, Light Blue, Stone Grey, Vermilion red, Bronze green, Soft Pink | Tailor Semi-aniline leather                           | Black, Polished Aluminium | 3-6 weeks | 11.80 kg | 6.204               | 7.755                |
| Leather      | Black, White, Beige Sand, Red Brown, Light Blue, Stone Grey, Vermilion red, Bronze green, Soft Pink | Noble Aniline leather                                 | Black, Polished Aluminium | 3-6 weeks | 11.80 kg | 6.560               | 8.200                |
| Leather      | Black, White, Beige Sand, Red Brown, Light Blue, Stone Grey, Vermilion red, Bronze green, Soft Pink | Elmosoft Semi-aniline leather                         | Black, Polished Aluminium | 3-6 weeks | 11.80 kg | 7.160               | 8.950                |
| Fabric COM   | Black, White, Beige Sand, Red Brown, Light Blue, Stone Grey, Vermilion red, Bronze green, Soft Pink | COM Fabric  | Black, Polished Aluminium | 3-6 weeks | 11.80 kg | 5.724               | 7.155                |



EU Ecolabel certified, validating high standards of durability, circular design, and responsible use of chemicals. Please contact our sales team for a list of EU Ecolabel compliant combinations.

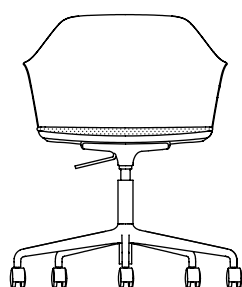
**Material:** Shell made from 100% recycled polypropylene with fiber glass, seat covered in HR foam with fabric or leather upholstery, cast aluminium 5-star swivel base w. gaslift & castors.

**Fabric usage:** 0.49 meter based on a 140 cm roll.

**Leather usage:** 1 square meter based on a yield of 60% pr hide.

COM must be approved by &Tradition to ensure suitability for upholstery.

Castors suitable for all floor types.



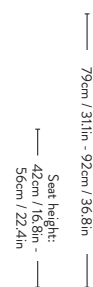
66cm / 26.4in

HW54



66cm / 26.4in

HW54



79cm / 31in - 92cm / 36.8in  
42cm / 16.5in - 56cm / 22.4in  
Seat height:  
66.5cm / 26.2in - 79cm / 31.1in  
Armrest height:

# Rely <sup>HW55</sup> Hee Welling 2021



| Price group  | Upholstery  | Model | Base                      | Lead time | Weight   | PRICE EX. VAT (SEK) | PRICE INC. VAT (SEK) |
|--------------|---|-------|---------------------------|-----------|----------|---------------------|----------------------|
| Fabric gr. 1 | Hot Madison, Remix, Re-Wool                           | HW55  | Black, Polished Aluminium | 3-6 weeks | 11.00 kg | 6.920               | 8.650                |
| Fabric gr. 2 | Canvas, Barnum, Fiord, Ritz                           | HW55  | Black, Polished Aluminium | 3-6 weeks | 11.00 kg | 7.636               | 9.545                |
| Fabric gr. 3 | Clay, Hallingdal, Steelcut Quartet, Steelcut Trio     | HW55  | Black, Polished Aluminium | 3-6 weeks | 11.00 kg | 7.876               | 9.845                |
| Fabric gr. 4 | Acca, Cifrado, Ecriture, Moss, Uniform Melange, Vidar | HW55  | Black, Polished Aluminium | 3-6 weeks | 11.00 kg | 8.592               | 10.740               |
| Fabric gr. 5 | Karakorum, Sisu                                       | HW55  | Black, Polished Aluminium | 3-6 weeks | 11.00 kg | 10.144              | 12.680               |
| Fabric gr. 6 | Fuse, Gentle  | HW55  | Black, Polished Aluminium | 3-6 weeks | 11.00 kg | 10.980              | 13.725               |
| Leather      | Tailor Semi-aniline leather                           | HW55  | Black, Polished Aluminium | 3-6 weeks | 11.00 kg | 8.948               | 11.185               |
| Leather      | Noble Aniline leather                                 | HW55  | Black, Polished Aluminium | 3-6 weeks | 11.00 kg | 10.384              | 12.980               |
| Leather      | Elmosoft Semi-aniline leather                         | HW55  | Black, Polished Aluminium | 3-6 weeks | 11.00 kg | 11.216              | 14.020               |
| Fabric COM   | COM Fabric  | HW55  | Black, Polished Aluminium | 3-6 weeks | 11.00 kg | 6.920               | 8.650                |

**Material:** Shell made from 100% recycled polypropylene with fiber glass, covered with HR foam with fabric or leather upholstery, cast aluminium 5-star swivel base w. gaslift & castors.

Castors suitable for all floor types.

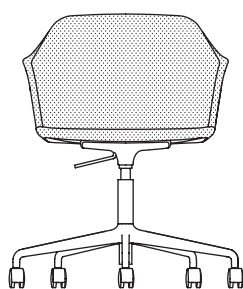
**Fabric usage:** 1.5 meters based on 140cm roll.

**Leather usage:** 2.7 square meters based on a yield of 60% pr hide.

COM must be approved by &Tradition to ensure suitability for upholstery.

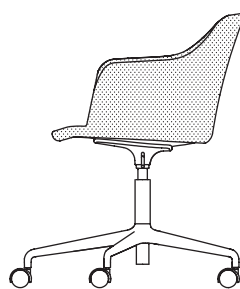


EU Ecolabel certified, validating high standards of durability, circular design, and responsible use of chemicals. Please contact our sales team for a list of EU Ecolabel compliant combinations.



66cm / 26.4in

HW55



66cm / 26.4in

HW55



Seat height:  
42cm / 16.5in -  
30cm / 12.4in

Armrest height:  
66.5cm / 26.2in - 79cm / 31.1in



# Rely HW56

## Hee Welling

### 2021



| Price group  | Upholstery  | Model | Base                      | Lead time | Weight   | PRICE EX. VAT (SEK) | PRICE INC. VAT (SEK) |
|--------------|---|-------|---------------------------|-----------|----------|---------------------|----------------------|
| Fabric gr. 1 | Hot Madison, Remix, Re-Wool                           | HW56  | Black, Polished Aluminium | 3-6 weeks | 12.10 kg | 7.276               | 9.095                |
| Fabric gr. 2 | Canvas, Barnum, Fiord, Ritz                           | HW56  | Black, Polished Aluminium | 3-6 weeks | 12.10 kg | 7.996               | 9.995                |
| Fabric gr. 3 | Clay, Hallingdal, Steelcut Quartet, Steelcut Trio     | HW56  | Black, Polished Aluminium | 3-6 weeks | 12.10 kg | 8.232               | 10.290               |
| Fabric gr. 4 | Acca, Cifrado, Ecriture, Moss, Uniform Melange, Vidar | HW56  | Black, Polished Aluminium | 3-6 weeks | 12.10 kg | 8.948               | 11.185               |
| Fabric gr. 5 | Karakorum, Sisu                                       | HW56  | Black, Polished Aluminium | 3-6 weeks | 12.10 kg | 10.384              | 12.980               |
| Fabric gr. 6 | Fuse, Gentle  | HW56  | Black, Polished Aluminium | 3-6 weeks | 12.10 kg | 11.456              | 14.320               |
| Leather      | Tailor Semi-aniline leather                           | HW56  | Black, Polished Aluminium | 3-6 weeks | 12.10 kg | 9.308               | 11.635               |
| Leather      | Noble Aniline leather                                 | HW56  | Black, Polished Aluminium | 3-6 weeks | 12.10 kg | 10.740              | 13.425               |
| Leather      | Elmosoft Semi-aniline leather                         | HW56  | Black, Polished Aluminium | 3-6 weeks | 12.10 kg | 11.816              | 14.770               |
| Fabric COM   | COM Fabric  | HW56  | Black, Polished Aluminium | 3-6 weeks | 12.10 kg | 7.276               | 9.095                |

**Material:** Shell made from 100% recycled polypropylene with fiber glass, covered with HR foam with fabric or leather upholstery, cast aluminium 5-star swivel base w. gaslift & castors.

Castors suitable for all floor types.

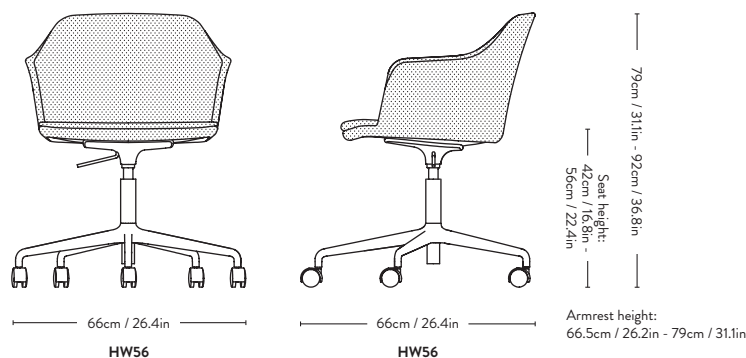
**Fabric usage:** 2.3 meters based on 140cm roll.

**Leather usage:** 3.4 square meters based on a yield of 60% pr hide.

COM must be approved by &Tradition to ensure suitability for upholstery.



EU Ecolabel certified, validating high standards of durability, circular design, and responsible use of chemicals. Please contact our sales team for a list of EU Ecolabel compliant combinations.



# Rely HW57

## Hee Welling

### 2021



Please note that price is accumulated price of shell & seat.

| Price group  | Shell Upholstery                                      | Base                      | Lead time | Weight   | PRICE EX. VAT (SEK) | PRICE INC. VAT (SEK) |
|--------------|---|---------------------------|-----------|----------|---------------------|----------------------|
| Fabric gr. 1 | Hot Madison, Remix, Re-Wool                           | Black, Polished Aluminium | 3-6 weeks | 12.10 kg | 6.080               | 7.600                |
| Fabric gr. 2 | Canvas, Barnum, Fiord, Ritz                           | Black, Polished Aluminium | 3-6 weeks | 12.10 kg | 6.444               | 8.055                |
| Fabric gr. 3 | Clay, Hallingdal, Steelcut Quartet, Steelcut Trio     | Black, Polished Aluminium | 3-6 weeks | 12.10 kg | 6.572               | 8.215                |
| Fabric gr. 4 | Acca, Cifrado, Ecriture, Moss, Uniform Melange, Vidar | Black, Polished Aluminium | 3-6 weeks | 12.10 kg | 6.928               | 8.660                |
| Fabric gr. 5 | Karakorum, Sisu                                       | Black, Polished Aluminium | 3-6 weeks | 12.10 kg | 7.888               | 9.860                |
| Fabric gr. 6 | Fuse, Gentle  | Black, Polished Aluminium | 3-6 weeks | 12.10 kg | 8.708               | 10.885               |
| Leather      | Tailor Semi-aniline leather                           | Black, Polished Aluminium | 3-6 weeks | 12.10 kg | 7.408               | 9.260                |
| Leather      | Noble Aniline leather                                 | Black, Polished Aluminium | 3-6 weeks | 12.10 kg | 8.724               | 10.905               |
| Leather      | Elmosoft Semi-aniline leather                         | Black, Polished Aluminium | 3-6 weeks | 12.10 kg | 9.320               | 11.650               |
| Fabric COM   | COM Fabric  | Black, Polished Aluminium | 3-6 weeks | 12.10 kg | 6.080               | 7.600                |

| Price group  | Seat Upholstery                                       | Lead time | PRICE EX. VAT (SEK) | PRICE INC. VAT (SEK) |
|--------------|---|-----------|---------------------|----------------------|
| Fabric gr. 1 | Hot Madison, Remix, Re-Wool                           | 3-6 weeks | 1.196               | 1.495                |
| Fabric gr. 2 | Canvas, Barnum, Fiord, Ritz                           | 3-6 weeks | 1.556               | 1.945                |
| Fabric gr. 3 | Clay, Hallingdal, Steelcut Quartet, Steelcut Trio     | 3-6 weeks | 1.676               | 2.095                |
| Fabric gr. 4 | Acca, Cifrado, Ecriture, Moss, Uniform Melange, Vidar | 3-6 weeks | 2.032               | 2.540                |
| Fabric gr. 5 | Karakorum, Sisu                                       | 3-6 weeks | 2.512               | 3.140                |
| Fabric gr. 6 | Fuse, Gentle  | 3-6 weeks | 2.752               | 3.440                |
| Leather      | Tailor Semi-aniline leather                           | 3-6 weeks | 1.912               | 2.390                |
| Leather      | Noble Aniline leather                                 | 3-6 weeks | 2.032               | 2.540                |
| Leather      | Elmosoft Semi-aniline leather                         | 3-6 weeks | 2.512               | 3.140                |
| Fabric COM   | COM Fabric  | 3-6 weeks | 1.196               | 1.495                |

**Material:** Shell made from 100% recycled polypropylene with fiber glass, covered with HR foam with fabric or leather upholstery, cast aluminium 5-star swivel base w. gaslift & castors.

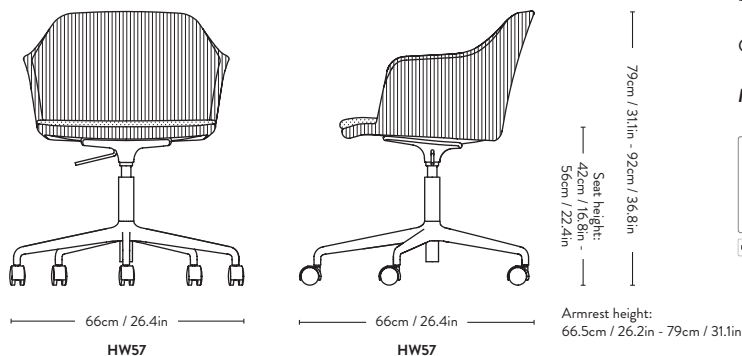
Castors suitable for all floor types.

**Fabric usage:** 1.5 meters (shell), 0.77 meters (cushion) based on 140cm roll.

**Leather usage:** 2.64 square meters (shell), 0.77 square meters (cushion) based on a yield of 60% pr hide.

COM must be approved by &Tradition to ensure suitability for upholstery.

**Minimum order quantity of same variant: 4 pcs.**



EU Ecolabel certified, validating high standards of durability, circular design, and responsible use of chemicals. Please contact our sales team for a list of EU Ecolabel compliant combinations.

# Rely HW71 Hee Welling 2022



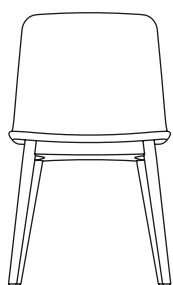
| Item code | Shell Colour  | Model | Base          | Colli qty. | Lead time | Weight  | PRICE EX. VAT (SEK) | PRICE INC. VAT (SEK) |
|-----------|---------------|-------|---------------|------------|-----------|---------|---------------------|----------------------|
| HW        | Black         | HW71  | Oak<br>Walnut | 1 pc       | 2-3 weeks | 5.70 kg | 2.740<br>3.100      | 3.425<br>3.875       |
| HW        | White         | HW71  | Oak<br>Walnut | 1 pc       | 2-3 weeks | 5.70 kg | 2.740<br>3.100      | 3.425<br>3.875       |
| HW        | Beige Sand    | HW71  | Oak<br>Walnut | 1 pc       | 2-3 weeks | 5.70 kg | 2.740<br>3.100      | 3.425<br>3.875       |
| HW        | Red Brown     | HW71  | Oak<br>Walnut | 1 pc       | 2-3 weeks | 5.70 kg | 2.740<br>3.100      | 3.425<br>3.875       |
| HW        | Light Blue    | HW71  | Oak<br>Walnut | 1 pc       | 2-3 weeks | 5.70 kg | 2.740<br>3.100      | 3.425<br>3.875       |
| HW        | Stone Grey    | HW71  | Oak<br>Walnut | 1 pc       | 2-3 weeks | 5.70 kg | 2.740<br>3.100      | 3.425<br>3.875       |
| HW        | Vermilion red | HW71  | Oak<br>Walnut | 1 pc       | 2-3 weeks | 5.70 kg | 2.740<br>3.100      | 3.425<br>3.875       |
| HW        | Bronze green  | HW71  | Oak<br>Walnut | 1 pc       | 2-3 weeks | 5.70 kg | 2.740<br>3.100      | 3.425<br>3.875       |
| HW        | Soft Pink     | HW71  | Oak<br>Walnut | 1 pc       | 2-3 weeks | 5.70 kg | 2.740<br>3.100      | 3.425<br>3.875       |

**Material:** Shell made from 100% recycled polypropylene with fiber glass. Water based lacquered oak or walnut base.

Wagner QuickClick Plast gliders are installed as standard.  
Wagner QuickClick Felt gliders available upon request.

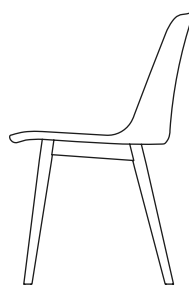


EU Ecolabel certified, validating high standards of durability, circular design, and responsible use of chemicals. Please contact our sales team for a list of EU Ecolabel compliant combinations.



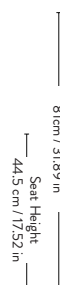
— 48.5 cm / 19.09 in —

HW71



— 53.5 cm / 21.06 in —

HW71



81cm / 31.89 in  
Seat Height  
44.5 cm / 17.52 in

Seating depth:  
45cm / 17.7in

# Rely <sup>HW72</sup> Hee Welling 2022



| Price group  | Shell Colour  | Seat Cushion Upholstery                               | Base   | Lead time | Weight  | PRICE EX. VAT (SEK) | PRICE INC. VAT (SEK) |
|--------------|---|---|--------|-----------|---------|---------------------|----------------------|
| Fabric gr. 1 | Black, White, Beige Sand, Red Brown, Light Blue, Stone Grey, Vermilion red, Bronze green, Soft Pink | Hot Madison, Remix, Re-Wool                           | Oak    | 6-8 weeks | 6.50 kg | 4.172               | 5.215                |
|              |   |   | Walnut |           |         | 4.532               | 5.665                |
| Fabric gr. 2 | Black, White, Beige Sand, Red Brown, Light Blue, Stone Grey, Vermilion red, Bronze green, Soft Pink | Canvas, Barnum, Fiord, Ritz                           | Oak    | 6-8 weeks | 6.50 kg | 4.532               | 5.665                |
|              |   |   | Walnut |           |         | 4.888               | 6.110                |
| Fabric gr. 3 | Black, White, Beige Sand, Red Brown, Light Blue, Stone Grey, Vermilion red, Bronze green, Soft Pink | Clay, Hallingdal, Steelcut Quartet, Steelcut Trio     | Oak    | 6-8 weeks | 6.50 kg | 4.652               | 5.815                |
|              |   |   | Walnut |           |         | 5.128               | 6.410                |
| Fabric gr. 4 | Black, White, Beige Sand, Red Brown, Light Blue, Stone Grey, Vermilion red, Bronze green, Soft Pink | Acca, Cifrado, Ecriture, Moss, Uniform Melange, Vidar | Oak    | 6-8 weeks | 6.50 kg | 5.008               | 6.260                |
|              |   |   | Walnut |           |         | 5.368               | 6.710                |
| Fabric gr. 5 | Black, White, Beige Sand, Red Brown, Light Blue, Stone Grey, Vermilion red, Bronze green, Soft Pink | Karakorum, Sisu                                       | Oak    | 6-8 weeks | 6.50 kg | 5.488               | 6.860                |
|              |   |   | Walnut |           |         | 5.844               | 7.305                |
| Fabric gr. 6 | Black, White, Beige Sand, Red Brown, Light Blue, Stone Grey, Vermilion red, Bronze green, Soft Pink | Fuse, Gentle  | Oak    | 6-8 weeks | 6.50 kg | 6.084               | 7.605                |
|              |   |   | Walnut |           |         | 6.440               | 8.050                |
| Leather      | Black, White, Beige Sand, Red Brown, Light Blue, Stone Grey, Vermilion red, Bronze green, Soft Pink | Tailor Semi-aniline leather                           | Oak    | 6-8 weeks | 6.50 kg | 4.652               | 5.815                |
|              |   |   | Walnut |           |         | 5.008               | 6.260                |
| Leather      | Black, White, Beige Sand, Red Brown, Light Blue, Stone Grey, Vermilion red, Bronze green, Soft Pink | Noble Aniline leather                                 | Oak    | 6-8 weeks | 6.50 kg | 5.008               | 6.260                |
|              |   |   | Walnut |           |         | 5.368               | 6.710                |
| Leather      | Black, White, Beige Sand, Red Brown, Light Blue, Stone Grey, Vermilion red, Bronze green, Soft Pink | Elmosoft Semi-aniline leather                         | Oak    | 6-8 weeks | 6.50 kg | 5.368               | 6.710                |
|              |   |   | Walnut |           |         | 5.724               | 7.155                |
| Fabric COM   | Black, White, Beige Sand, Red Brown, Light Blue, Stone Grey, Vermilion red, Bronze green, Soft Pink | COM Fabric  | Oak    | 6-8 weeks | 6.50 kg | 4.172               | 5.215                |
|              |   |   | Walnut |           |         | 4.532               | 5.665                |



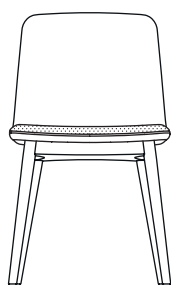
EU Ecolabel certified, validating high standards of durability, circular design, and responsible use of chemicals. Please contact our sales team for a list of EU Ecolabel compliant combinations.

**Material:** Shell made from 100% recycled polypropylene with fiber glass. Upholstered seats are made with a veneer plate with 30mm HR foam. Water based lacquered oak or walnut base.

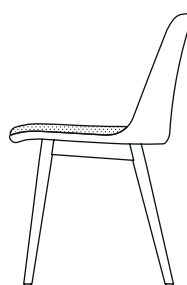
Wagner QuickClick Plast gliders are installed as standard.  
Wagner QuickClick Felt gliders available upon request.

**Fabric usage:** 0.49 meter based on a 140 cm roll.  
**Leather usage:** 1 square meter based on a yield of 60% pr hide.

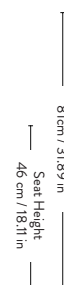
COM must be approved by &Tradition to ensure suitability for upholstery.



— 48.5 cm / 19.09 in —  
HW72



— 53.5 cm / 21.06 in —  
HW72



81cm / 31.89 in  
46 cm / 18.11 in  
Seating depth:  
45cm / 17.7in

# Rely <sup>HW73</sup> Hee Welling 2022



| Price group  | Upholstery  | Model | Base          | Lead time | Weight  | PRICE EX. VAT (SEK) | PRICE INC. VAT (SEK) |
|--------------|---|-------|---------------|-----------|---------|---------------------|----------------------|
| Fabric gr. 1 | Hot Madison, Remix, Re-Wool                           | HW73  | Oak<br>Walnut | 6-8 weeks | 6.20 kg | 5.128<br>5.488      | 6.410<br>6.860       |
| Fabric gr. 2 | Canvas, Barnum, Fiord, Ritz                           | HW73  | Oak<br>Walnut | 6-8 weeks | 6.20 kg | 5.844<br>6.204      | 7.305<br>7.755       |
| Fabric gr. 3 | Clay, Hallingdal, Steelcut Quartet, Steelcut Trio     | HW73  | Oak<br>Walnut | 6-8 weeks | 6.20 kg | 6.084<br>6.440      | 7.605<br>8.050       |
| Fabric gr. 4 | Acca, Cifrado, Ecriture, Moss, Uniform Melange, Vidar | HW73  | Oak<br>Walnut | 6-8 weeks | 6.20 kg | 6.680<br>7.040      | 8.350<br>8.800       |
| Fabric gr. 5 | Karakorum, Sisu                                       | HW73  | Oak<br>Walnut | 6-8 weeks | 6.20 kg | 8.112<br>8.472      | 10.140<br>10.590     |
| Fabric gr. 6 | Fuse, Gentle  | HW73  | Oak<br>Walnut | 6-8 weeks | 6.20 kg | 8.948<br>9.308      | 11.185<br>11.635     |
| Leather      | Tailor Semi-aniline leather                           | HW73  | Oak<br>Walnut | 6-8 weeks | 6.20 kg | 7.040<br>7.396      | 8.800<br>9.245       |
| Leather      | Noble Aniline leather                                 | HW73  | Oak<br>Walnut | 6-8 weeks | 6.20 kg | 7.396<br>7.756      | 9.245<br>9.695       |
| Leather      | Elmosoft Semi-aniline leather                         | HW73  | Oak<br>Walnut | 6-8 weeks | 6.20 kg | 7.996<br>8.352      | 9.995<br>10.440      |
| Fabric COM   | COM Fabric  | HW73  | Oak<br>Walnut | 6-8 weeks | 6.20 kg | 5.128<br>5.488      | 6.410<br>6.860       |

**Material:** Shell made from 100% recycled polypropylene with fiber glass. Upholstered seats are made with a veneer plate with 30mm HR foam. Water based lacquered oak or walnut base.

Wagner QuickClick Plast gliders are installed as standard.  
Wagner QuickClick Felt gliders available upon request.

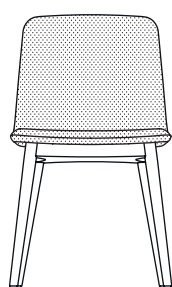
**Fabric usage:** 1.4 meters based on 140cm roll.

**Leather usage:** 2.2 square meters based on a yield of 60% pr hide.

COM must be approved by &Tradition to ensure suitability for upholstery.

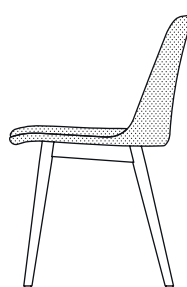


EU Ecolabel certified, validating high standards of durability, circular design, and responsible use of chemicals. Please contact our sales team for a list of EU Ecolabel compliant combinations.



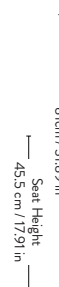
— 48.5 cm / 19.09 in —

HW73



— 53.5 cm / 21.06 in —

HW73



8 cm / 31.89 in  
Seat Height  
45.5 cm / 17.91 in

Seating depth:  
45cm / 17.7in

# Rely HW74

## Hee Welling

### 2022



| Price group  | Upholstery  | Model | Base          | Lead time | Weight  | PRICE EX. VAT (SEK) | PRICE INC. VAT (SEK) |
|--------------|---|-------|---------------|-----------|---------|---------------------|----------------------|
| Fabric gr. 1 | Hot Madison, Remix, Re-Wool                           | HW74  | Oak<br>Walnut | 6-8 weeks | 7.30 kg | 5.368<br>5.724      | 6.710<br>7.155       |
| Fabric gr. 2 | Canvas, Barnum, Fiord, Ritz                           | HW74  | Oak<br>Walnut | 6-8 weeks | 7.30 kg | 6.084<br>6.440      | 7.605<br>8.050       |
| Fabric gr. 3 | Clay, Hallingdal, Steelcut Quartet, Steelcut Trio     | HW74  | Oak<br>Walnut | 6-8 weeks | 7.30 kg | 6.324<br>6.680      | 7.905<br>8.350       |
| Fabric gr. 4 | Acca, Cifrado, Ecriture, Moss, Uniform Melange, Vidar | HW74  | Oak<br>Walnut | 6-8 weeks | 7.30 kg | 6.920<br>7.276      | 8.650<br>9.095       |
| Fabric gr. 5 | Karakorum, Sisu                                       | HW74  | Oak<br>Walnut | 6-8 weeks | 7.30 kg | 8.352<br>8.712      | 10.440<br>10.890     |
| Fabric gr. 6 | Fuse, Gentle  | HW74  | Oak<br>Walnut | 6-8 weeks | 7.30 kg | 9.188<br>9.548      | 11.485<br>11.935     |
| Leather      | Tailor Semi-aniline leather                           | HW74  | Oak<br>Walnut | 6-8 weeks | 7.30 kg | 7.276<br>7.636      | 9.095<br>9.545       |
| Leather      | Noble Aniline leather                                 | HW74  | Oak<br>Walnut | 6-8 weeks | 7.30 kg | 7.636<br>7.996      | 9.545<br>9.995       |
| Leather      | Elmosoft Semi-aniline leather                         | HW74  | Oak<br>Walnut | 6-8 weeks | 7.30 kg | 8.712<br>9.068      | 10.890<br>11.335     |
| Fabric COM   | COM Fabric  | HW74  | Oak<br>Walnut | 6-8 weeks | 7.30 kg | 5.368<br>5.724      | 6.710<br>7.155       |

**Material:** Shell made from 100% recycled polypropylene with fiber glass. Upholstered seats are made with a veneer plate with 30mm HR foam. Water based lacquered oak or walnut base.

Wagner QuickClick Plast gliders are installed as standard.  
Wagner QuickClick Felt gliders available upon request.

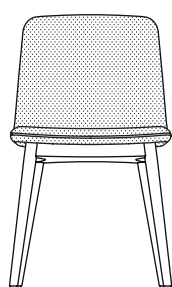
**Fabric usage:** 1.8 meters based on 140cm roll.

**Leather usage:** 2.7 square meters based on a yield of 60% pr hide.

COM must be approved by &Tradition to ensure suitability for upholstery.

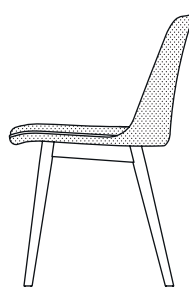


EU Ecolabel certified, validating high standards of durability, circular design, and responsible use of chemicals. Please contact our sales team for a list of EU Ecolabel compliant combinations.



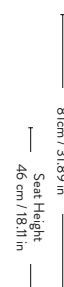
— 48.5 cm / 19.09 in —

HW74



— 53.5 cm / 21.06 in —

HW74



81 cm / 31.89 in  
46 cm / 18.11 in  
Seat Height

Seating depth:  
45cm / 17.7in

# Rely HW75

## Hee Welling

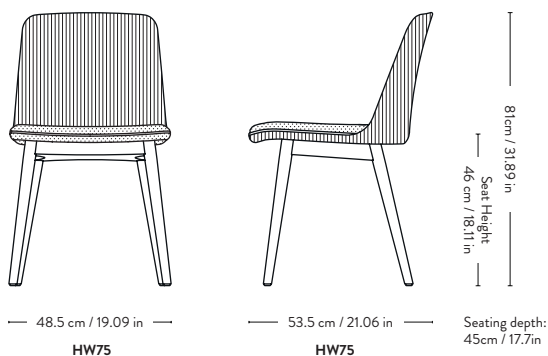
### 2022



Please note that price is accumulated price of shell & seat.

| Price group  | Shell Upholstery                                      | Base   | Lead time | Weight  | PRICE EX. VAT (SEK) | PRICE INC. VAT (SEK) |
|--------------|---|--------|-----------|---------|---------------------|----------------------|
| Fabric gr. 1 | Hot Madison, Remix, Re-Wool                           | Oak    | 3-6 weeks | 7.30 kg | 4.180               | 5.225                |
|              |   | Walnut |           |         | 4.528               | 5.660                |
| Fabric gr. 2 | Canvas, Barnum, Fiord, Ritz                           | Oak    | 3-6 weeks | 7.30 kg | 4.540               | 5.675                |
|              |   | Walnut |           |         | 4.896               | 6.120                |
| Fabric gr. 3 | Clay, Hallingdal, Steelcut Quartet, Steelcut Trio     | Oak    | 3-6 weeks | 7.30 kg | 4.656               | 5.820                |
|              |   | Walnut |           |         | 5.016               | 6.270                |
| Fabric gr. 4 | Acca, Cifrado, Ecriture, Moss, Uniform Melange, Vidar | Oak    | 3-6 weeks | 7.30 kg | 4.892               | 6.115                |
|              |   | Walnut |           |         | 5.256               | 6.570                |
| Fabric gr. 5 | Karakorum, Sisu                                       | Oak    | 3-6 weeks | 7.30 kg | 5.852               | 7.315                |
|              |   | Walnut |           |         | 6.212               | 7.765                |
| Fabric gr. 6 | Fuse, Gentle  | Oak    | 3-6 weeks | 7.30 kg | 6.452               | 8.065                |
|              |   | Walnut |           |         | 6.812               | 8.515                |
| Leather      | Tailor Semi-aniline leather                           | Oak    | 3-6 weeks | 7.30 kg | 5.364               | 6.705                |
|              |   | Walnut |           |         | 5.732               | 7.165                |
| Leather      | Noble Aniline leather                                 | Oak    | 3-6 weeks | 7.30 kg | 5.608               | 7.010                |
|              |   | Walnut |           |         | 5.968               | 7.460                |
| Leather      | Elmosoft Semi-aniline leather                         | Oak    | 3-6 weeks | 7.30 kg | 6.212               | 7.765                |
|              |   | Walnut |           |         | 6.572               | 8.215                |
| Fabric COM   | COM Fabric  | Oak    | 3-6 weeks | 7.30 kg | 4.180               | 5.225                |
|              |   | Walnut |           |         | 4.528               | 5.660                |

| Price group  | Seat Upholstery                                       | Lead time | PRICE EX. VAT (SEK) | PRICE INC. VAT (SEK) |
|--------------|---|-----------|---------------------|----------------------|
| Fabric gr. 1 | Hot Madison, Remix, Re-Wool                           | 3-6 weeks | 1.196               | 1.495                |
| Fabric gr. 2 | Canvas, Barnum, Fiord, Ritz                           | 3-6 weeks | 1.556               | 1.945                |
| Fabric gr. 3 | Clay, Hallingdal, Steelcut Quartet, Steelcut Trio     | 3-6 weeks | 1.676               | 2.095                |
| Fabric gr. 4 | Acca, Cifrado, Ecriture, Moss, Uniform Melange, Vidar | 3-6 weeks | 2.032               | 2.540                |
| Fabric gr. 5 | Karakorum, Sisu                                       | 3-6 weeks | 2.512               | 3.140                |
| Fabric gr. 6 | Fuse, Gentle  | 3-6 weeks | 2.752               | 3.440                |
| Leather      | Tailor Semi-aniline leather                           | 3-6 weeks | 1.912               | 2.390                |
| Leather      | Noble Aniline leather                                 | 3-6 weeks | 2.032               | 2.540                |
| Leather      | Elmosoft Semi-aniline leather                         | 3-6 weeks | 2.512               | 3.140                |
| Fabric COM   | COM Fabric  | 3-6 weeks | 1.196               | 1.495                |



**Material:** Shell made from 100% recycled polypropylene with fiber glass. Upholstered seats are made with a veneer plate with 30mm HR foam. Water based lacquered oak or walnut base.

Wagner QuickClick Plast gliders are installed as standard.

Wagner QuickClick Felt gliders available upon request.

**Fabric usage:** 1.2 meters (shell), 0.7 meters (cushion) based on 140cm roll.

**Leather usage:** 2 square meters (shell), 0.9 square meters (cushion) based on a yield of 60% pr hide.

COM must be approved by &Tradition to ensure suitability for upholstery.

**Minimum order quantity of same variant: 4 pcs.**



EU Ecolabel certified, validating high standards of durability, circular design, and responsible use of chemicals.

Please contact our sales team for a list of EU Ecolabel compliant combinations.

# Rely HW76

## Hee Welling

### 2022



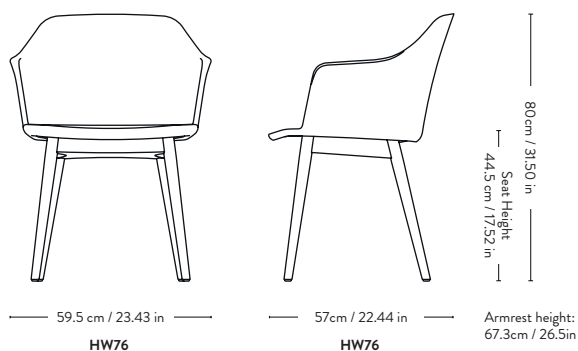
| Item code | Shell Colour  | Model | Base   | Colli qty. | Lead time | Weight  | PRICE EX. VAT (SEK) | PRICE INC. VAT (SEK) |
|-----------|---------------|-------|--------|------------|-----------|---------|---------------------|----------------------|
| HW        | Black         | HW76  | Oak    | 1 pc       | 2-3 weeks | 7.00 kg | 3.100               | 3.875                |
|           |               |       | Walnut |            |           |         | 3.456               | 4.320                |
| HW        | White         | HW76  | Oak    | 1 pc       | 2-3 weeks | 7.00 kg | 3.100               | 3.875                |
|           |               |       | Walnut |            |           |         | 3.456               | 4.320                |
| HW        | Beige Sand    | HW76  | Oak    | 1 pc       | 2-3 weeks | 7.00 kg | 3.100               | 3.875                |
|           |               |       | Walnut |            |           |         | 3.456               | 4.320                |
| HW        | Red Brown     | HW76  | Oak    | 1 pc       | 2-3 weeks | 7.00 kg | 3.100               | 3.875                |
|           |               |       | Walnut |            |           |         | 3.456               | 4.320                |
| HW        | Light Blue    | HW76  | Oak    | 1 pc       | 2-3 weeks | 7.00 kg | 3.100               | 3.875                |
|           |               |       | Walnut |            |           |         | 3.456               | 4.320                |
| HW        | Stone Grey    | HW76  | Oak    | 1 pc       | 2-3 weeks | 7.00 kg | 3.100               | 3.875                |
|           |               |       | Walnut |            |           |         | 3.456               | 4.320                |
| HW        | Vermilion red | HW76  | Oak    | 1 pc       | 2-3 weeks | 7.00 kg | 3.100               | 3.875                |
|           |               |       | Walnut |            |           |         | 3.456               | 4.320                |
| HW        | Bronze green  | HW76  | Oak    | 1 pc       | 2-3 weeks | 7.00 kg | 3.100               | 3.875                |
|           |               |       | Walnut |            |           |         | 3.456               | 4.320                |
| HW        | Soft Pink     | HW76  | Oak    | 1 pc       | 2-3 weeks | 7.00 kg | 3.100               | 3.875                |
|           |               |       | Walnut |            |           |         | 3.456               | 4.320                |

**Material:** Shell made from 100% recycled polypropylene with fiber glass, Water based lacquered oak or walnut base.

Wagner QuickClick Plast gliders are installed as standard.  
Wagner QuickClick Felt gliders available upon request.



EU Ecolabel certified, validating high standards of durability, circular design, and responsible use of chemicals. Please contact our sales team for a list of EU Ecolabel compliant combinations.





# Rely <sup>HW77</sup> Hee Welling 2022



| Price group  | Shell Colour  | Seat Cushion Upholstery                               | Base   | Lead time | Weight  | PRICE EX. VAT (SEK) | PRICE INC. VAT (SEK) |
|--------------|---|---|--------|-----------|---------|---------------------|----------------------|
| Fabric gr. 1 | Black, White, Beige Sand, Red Brown, Light Blue, Stone Grey, Vermilion red, Bronze green, Soft Pink | Hot Madison, Remix, Re-Wool                           | Oak    | 6-8 weeks | 8.20 kg | 4.532               | 5.665                |
|              |   |   | Walnut |           |         | 4.888               | 6.110                |
| Fabric gr. 2 | Black, White, Beige Sand, Red Brown, Light Blue, Stone Grey, Vermilion red, Bronze green, Soft Pink | Canvas, Barnum, Fiord, Ritz                           | Oak    | 6-8 weeks | 8.20 kg | 4.888               | 6.110                |
|              |   |   | Walnut |           |         | 5.248               | 6.560                |
| Fabric gr. 3 | Black, White, Beige Sand, Red Brown, Light Blue, Stone Grey, Vermilion red, Bronze green, Soft Pink | Clay, Hallingdal, Steelcut Quartet, Steelcut Trio     | Oak    | 6-8 weeks | 8.20 kg | 5.008               | 6.260                |
|              |   |   | Walnut |           |         | 5.368               | 6.710                |
| Fabric gr. 4 | Black, White, Beige Sand, Red Brown, Light Blue, Stone Grey, Vermilion red, Bronze green, Soft Pink | Acca, Cifrado, Ecriture, Moss, Uniform Melange, Vidar | Oak    | 6-8 weeks | 8.20 kg | 5.368               | 6.710                |
|              |   |   | Walnut |           |         | 5.724               | 7.155                |
| Fabric gr. 5 | Black, White, Beige Sand, Red Brown, Light Blue, Stone Grey, Vermilion red, Bronze green, Soft Pink | Karakorum, Sisu                                       | Oak    | 6-8 weeks | 8.20 kg | 5.844               | 7.305                |
|              |   |   | Walnut |           |         | 6.204               | 7.755                |
| Fabric gr. 6 | Black, White, Beige Sand, Red Brown, Light Blue, Stone Grey, Vermilion red, Bronze green, Soft Pink | Fuse, Gentle  | Oak    | 6-8 weeks | 8.20 kg | 6.440               | 8.050                |
|              |   |   | Walnut |           |         | 6.800               | 8.500                |
| Leather      | Black, White, Beige Sand, Red Brown, Light Blue, Stone Grey, Vermilion red, Bronze green, Soft Pink | Tailor Semi-aniline leather                           | Oak    | 6-8 weeks | 8.20 kg | 5.008               | 6.260                |
|              |   |   | Walnut |           |         | 5.368               | 6.710                |
| Leather      | Black, White, Beige Sand, Red Brown, Light Blue, Stone Grey, Vermilion red, Bronze green, Soft Pink | Noble Aniline leather                                 | Oak    | 6-8 weeks | 8.20 kg | 5.368               | 6.710                |
|              |   |   | Walnut |           |         | 5.724               | 7.155                |
| Leather      | Black, White, Beige Sand, Red Brown, Light Blue, Stone Grey, Vermilion red, Bronze green, Soft Pink | Elmosoft Semi-aniline leather                         | Oak    | 6-8 weeks | 8.20 kg | 5.604               | 7.005                |
|              |   |   | Walnut |           |         | 6.084               | 7.605                |
| Fabric COM   | Black, White, Beige Sand, Red Brown, Light Blue, Stone Grey, Vermilion red, Bronze green, Soft Pink | COM Fabric  | Oak    | 6-8 weeks | 8.20 kg | 4.532               | 5.665                |
|              |   |   | Walnut |           |         | 4.888               | 6.110                |



EU Ecolabel certified, validating high standards of durability, circular design, and responsible use of chemicals. Please contact our sales team for a list of EU Ecolabel compliant combinations.

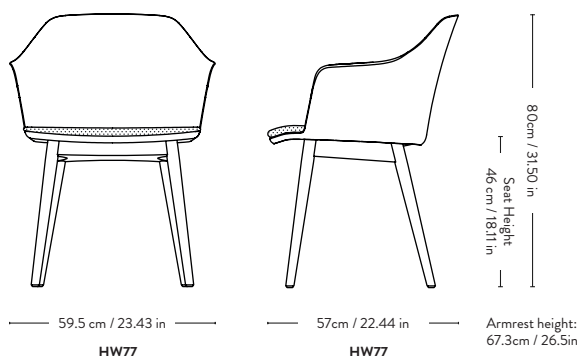
**Material:** Shell made from 100% recycled polypropylene with fiber glass, seat covered in HR foam with fabric or leather upholstery. Water based lacquered oak or walnut base.

Wagner QuickClick Plast gliders are installed as standard.  
Wagner QuickClick Felt gliders available upon request.

**Fabric usage:** 0.49 meter based on a 140 cm roll.

**Leather usage:** 1 square meter based on a yield of 60% pr hide.

COM must be approved by &Tradition to ensure suitability for upholstery.



# Rely HW78

## Hee Welling

### 2022



| Price group  | Upholstery  | Model | Base   | Lead time | Weight  | PRICE EX. VAT (SEK) | PRICE INC. VAT (SEK) |
|--------------|---|-------|--------|-----------|---------|---------------------|----------------------|
| Fabric gr. 1 | Hot Madison, Remix, Re-Wool                           | HW78  | Oak    | 6-8 weeks | 7.70 kg | 5.724               | 7.155                |
|              |   |       | Walnut |           |         | 6.084               | 7.605                |
| Fabric gr. 2 | Canvas, Barnum, Fiord, Ritz                           | HW78  | Oak    | 6-8 weeks | 7.70 kg | 6.440               | 8.050                |
|              |   |       | Walnut |           |         | 6.800               | 8.500                |
| Fabric gr. 3 | Clay, Hallingdal, Steelcut Quartet, Steelcut Trio     | HW78  | Oak    | 6-8 weeks | 7.70 kg | 6.680               | 8.350                |
|              |   |       | Walnut |           |         | 7.040               | 8.800                |
| Fabric gr. 4 | Acca, Cifrado, Ecriture, Moss, Uniform Melange, Vidar | HW78  | Oak    | 6-8 weeks | 7.70 kg | 7.396               | 9.245                |
|              |   |       | Walnut |           |         | 7.756               | 9.695                |
| Fabric gr. 5 | Karakorum, Sisu                                       | HW78  | Oak    | 6-8 weeks | 7.70 kg | 8.828               | 11.035               |
|              |   |       | Walnut |           |         | 9.188               | 11.485               |
| Fabric gr. 6 | Fuse, Gentle  | HW78  | Oak    | 6-8 weeks | 7.70 kg | 9.664               | 12.080               |
|              |   |       | Walnut |           |         | 10.144              | 12.680               |
| Leather      | Tailor Semi-aniline leather                           | HW78  | Oak    | 6-8 weeks | 7.70 kg | 7.756               | 9.695                |
|              |   |       | Walnut |           |         | 8.112               | 10.140               |
| Leather      | Noble Aniline leather                                 | HW78  | Oak    | 6-8 weeks | 7.70 kg | 9.188               | 11.485               |
|              |   |       | Walnut |           |         | 9.548               | 11.935               |
| Leather      | Elmosoft Semi-aniline leather                         | HW78  | Oak    | 6-8 weeks | 7.70 kg | 10.024              | 12.530               |
|              |   |       | Walnut |           |         | 10.384              | 12.980               |
| Fabric COM   | COM Fabric  | HW78  | Oak    | 6-8 weeks | 7.70 kg | 5.724               | 7.155                |
|              |   |       | Walnut |           |         | 6.084               | 7.605                |

**Material:** Shell made from 100% recycled polypropylene with fiber glass, covered with HR foam with fabric or leather upholstery. Water based lacquered oak or walnut base.

Wagner QuickClick Plast gliders are installed as standard.  
Wagner QuickClick Felt gliders available upon request.

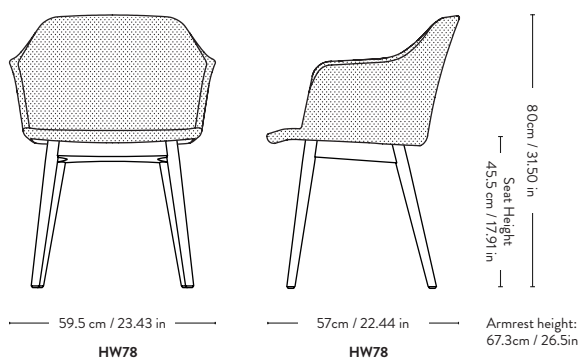
**Fabric usage:** 1.5meters based on 140cm roll.

**Leather usage:** 2.7 square meters based on a yield of 60% pr hide.

COM must be approved by &Tradition to ensure suitability for upholstery.



EU Ecolabel certified, validating high standards of durability, circular design, and responsible use of chemicals. Please contact our sales team for a list of EU Ecolabel compliant combinations.



# Rely <sup>HW79</sup> Hee Welling 2022



| Price group  | Upholstery  | Model | Base   | Lead time | Weight  | PRICE EX. VAT (SEK) | PRICE INC. VAT (SEK) |
|--------------|---|-------|--------|-----------|---------|---------------------|----------------------|
| Fabric gr. 1 | Hot Madison, Remix, Re-Wool                           | HW79  | Oak    | 6-8 weeks | 8.00 kg | 6.084               | 7.605                |
|              |   |       | Walnut |           |         | 6.440               | 8.050                |
| Fabric gr. 2 | Canvas, Barnum, Fiord, Ritz                           | HW79  | Oak    | 6-8 weeks | 8.00 kg | 6.800               | 8.500                |
|              |   |       | Walnut |           |         | 7.160               | 8.950                |
| Fabric gr. 3 | Clay, Hallingdal, Steelcut Quartet, Steelcut Trio     | HW79  | Oak    | 6-8 weeks | 8.00 kg | 7.040               | 8.800                |
|              |   |       | Walnut |           |         | 7.396               | 9.245                |
| Fabric gr. 4 | Acca, Cifrado, Ecriture, Moss, Uniform Melange, Vidar | HW79  | Oak    | 6-8 weeks | 8.00 kg | 7.756               | 9.695                |
|              |   |       | Walnut |           |         | 8.112               | 10.140               |
| Fabric gr. 5 | Karakorum, Sisu                                       | HW79  | Oak    | 6-8 weeks | 8.00 kg | 9.188               | 11.485               |
|              |   |       | Walnut |           |         | 9.548               | 11.935               |
| Fabric gr. 6 | Fuse, Gentle  | HW79  | Oak    | 6-8 weeks | 8.00 kg | 10.144              | 12.680               |
|              |   |       | Walnut |           |         | 10.500              | 13.125               |
| Leather      | Tailor Semi-aniline leather                           | HW79  | Oak    | 6-8 weeks | 8.00 kg | 8.112               | 10.140               |
|              |   |       | Walnut |           |         | 8.472               | 10.590               |
| Leather      | Noble Aniline leather                                 | HW79  | Oak    | 6-8 weeks | 8.00 kg | 9.548               | 11.935               |
|              |   |       | Walnut |           |         | 9.904               | 12.380               |
| Leather      | Elmosoft Semi-aniline leather                         | HW79  | Oak    | 6-8 weeks | 8.00 kg | 10.620              | 13.275               |
|              |   |       | Walnut |           |         | 10.980              | 13.725               |
| Fabric COM   | COM Fabric  | HW79  | Oak    | 6-8 weeks | 8.00 kg | 6.084               | 7.605                |
|              |   |       | Walnut |           |         | 6.440               | 8.050                |

**Material:** Shell made from 100% recycled polypropylene with fiber glass, covered with HR foam with fabric or leather upholstery. Water based lacquered oak or walnut base.

Wagner QuickClick Plast gliders are installed as standard.  
Wagner QuickClick Felt gliders available upon request.

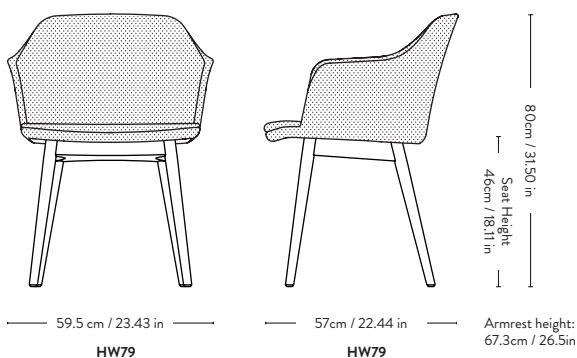
**Fabric usage:** 2.3 meters based on 140cm roll.

**Leather usage:** 3.4 square meters based on a yield of 60% pr hide.

COM must be approved by &Tradition to ensure suitability for upholstery.



EU Ecolabel certified, validating high standards of durability, circular design, and responsible use of chemicals. Please contact our sales team for a list of EU Ecolabel compliant combinations.



# Rely HW80

## Hee Welling

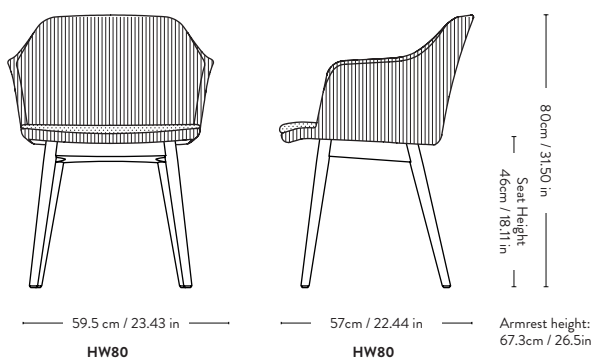
### 2022



Please note that price is accumulated price of shell & seat.

| Price group  | Shell Upholstery                                      | Base   | Lead time | Weight  | PRICE EX. VAT (SEK) | PRICE INC. VAT (SEK) |
|--------------|---|--------|-----------|---------|---------------------|----------------------|
| Fabric gr. 1 | Hot Madison, Remix, Re-Wool                           | Oak    | 3-6 weeks | 8.00 kg | 4.896               | 6.120                |
|              |   | Walnut |           |         | 5.244               | 6.555                |
| Fabric gr. 2 | Canvas, Barnum, Fiord, Ritz                           | Oak    | 3-6 weeks | 8.00 kg | 5.256               | 6.570                |
|              |   | Walnut |           |         | 5.608               | 7.010                |
| Fabric gr. 3 | Clay, Hallingdal, Steelcut Quartet, Steelcut Trio     | Oak    | 3-6 weeks | 8.00 kg | 5.376               | 6.720                |
|              |   | Walnut |           |         | 5.732               | 7.165                |
| Fabric gr. 4 | Acca, Cifrado, Ecriture, Moss, Uniform Melange, Vidar | Oak    | 3-6 weeks | 8.00 kg | 5.728               | 7.160                |
|              |   | Walnut |           |         | 6.092               | 7.615                |
| Fabric gr. 5 | Karakorum, Sisu                                       | Oak    | 3-6 weeks | 8.00 kg | 6.692               | 8.365                |
|              |   | Walnut |           |         | 7.048               | 8.810                |
| Fabric gr. 6 | Fuse, Gentle  | Oak    | 3-6 weeks | 8.00 kg | 7.408               | 9.260                |
|              |   | Walnut |           |         | 7.752               | 9.690                |
| Leather      | Tailor Semi-aniline leather                           | Oak    | 3-6 weeks | 8.00 kg | 6.200               | 7.750                |
|              |   | Walnut |           |         | 6.572               | 8.215                |
| Leather      | Noble Aniline leather                                 | Oak    | 3-6 weeks | 8.00 kg | 7.520               | 9.400                |
|              |   | Walnut |           |         | 7.888               | 9.860                |
| Leather      | Elmosoft Semi-aniline leather                         | Oak    | 3-6 weeks | 8.00 kg | 8.124               | 10.155               |
|              |   | Walnut |           |         | 8.484               | 10.605               |
| Fabric COM   | COM Fabric  | Oak    | 3-6 weeks | 8.00 kg | 4.896               | 6.120                |
|              |   | Walnut |           |         | 5.244               | 6.555                |

| Price group  | Seat Upholstery                                       | Lead time | PRICE EX. VAT (SEK) | PRICE INC. VAT (SEK) |
|--------------|---|-----------|---------------------|----------------------|
| Fabric gr. 1 | Hot Madison, Remix, Re-Wool                           | 3-6 weeks | 1.196               | 1.495                |
| Fabric gr. 2 | Canvas, Barnum, Fiord, Ritz                           | 3-6 weeks | 1.556               | 1.945                |
| Fabric gr. 3 | Clay, Hallingdal, Steelcut Quartet, Steelcut Trio     | 3-6 weeks | 1.676               | 2.095                |
| Fabric gr. 4 | Acca, Cifrado, Ecriture, Moss, Uniform Melange, Vidar | 3-6 weeks | 2.032               | 2.540                |
| Fabric gr. 5 | Karakorum, Sisu                                       | 3-6 weeks | 2.512               | 3.140                |
| Fabric gr. 6 | Fuse, Gentle  | 3-6 weeks | 2.752               | 3.440                |
| Leather      | Tailor Semi-aniline leather                           | 3-6 weeks | 1.912               | 2.390                |
| Leather      | Noble Aniline leather                                 | 3-6 weeks | 2.032               | 2.540                |
| Leather      | Elmosoft Semi-aniline leather                         | 3-6 weeks | 2.512               | 3.140                |
| Fabric COM   | COM Fabric  | 3-6 weeks | 1.196               | 1.495                |



**Material:** Shell made from 100% recycled polypropylene with fiber glass, covered with HR foam with fabric or leather upholstery. Water based lacquered oak or walnut base.

Wagner QuickClick Plast gliders are installed as standard.

Wagner QuickClick Felt gliders available upon request.

**Fabric usage:** 1.5 meters (shell), 0.77 meters (cushion) based on 140cm roll.

**Leather usage:** 2.64 square meters (shell), 0.77 square meters (cushion) based on a yield of 60% pr hide.

COM must be approved by &Tradition to ensure suitability for upholstery.

**Minimum order quantity of same variant: 4 pcs.**



EU Ecolabel certified, validating high standards of durability, circular design, and responsible use of chemicals. Please contact our sales team for a list of EU Ecolabel compliant combinations.

# Rely HW81

## Hee Welling

### 2022



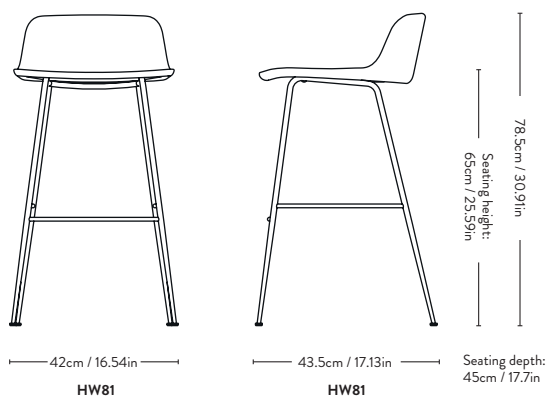
| Item code | Shell Colour | Model | Base           | Colli qty. | Lead time | Weight  | PRICE EX. VAT (SEK) | PRICE INC. VAT (SEK) |
|-----------|--------------|-------|----------------|------------|-----------|---------|---------------------|----------------------|
| HW        | Black        | HW81  | Black, Bronzed | 1 pc       | 2-3 weeks | 5.30 kg | 2.740               | 3.425                |
| HW        | White        | HW81  | Black, Bronzed | 1 pc       | 2-3 weeks | 5.30 kg | 2.740               | 3.425                |
| HW        | Beige Sand   | HW81  | Black, Bronzed | 1 pc       | 2-3 weeks | 5.30 kg | 2.740               | 3.425                |
| HW        | Red Brown    | HW81  | Black, Bronzed | 1 pc       | 2-3 weeks | 5.30 kg | 2.740               | 3.425                |
| HW        | Light Blue   | HW81  | Black, Bronzed | 1 pc       | 2-3 weeks | 5.30 kg | 2.740               | 3.425                |
| HW        | Stone Grey   | HW81  | Black, Bronzed | 1 pc       | 2-3 weeks | 5.30 kg | 2.740               | 3.425                |

**Material:** Shell made from 100% recycled polypropylene with fiber glass and a steel tube base.

Wagner QuickClick Plast gliders are installed as standard.  
Wagner QuickClick Felt gliders available upon request.



EU Ecolabel certified, validating high standards of durability, circular design, and responsible use of chemicals. Please contact our sales team for a list of EU Ecolabel compliant combinations.



# Rely <sup>HW82</sup> Hee Welling 2022



| Price group         | Shell Colour  | Seat Cushion Upholstery                               | Base           | Lead time | Weight  | PRICE EX. VAT (SEK) | PRICE INC. VAT (SEK) |
|---------------------|---|---|----------------|-----------|---------|---------------------|----------------------|
| <b>Fabric gr. 1</b> | Black, White, Beige Sand, Red Brown, Light Blue, Stone Grey | Hot Madison, Remix, Re-Wool                           | Black, Bronzed | 3-6 weeks | 6.00 kg | <b>3.936</b>        | <b>4.920</b>         |
| <b>Fabric gr. 2</b> | Black, White, Beige Sand, Red Brown, Light Blue, Stone Grey | Canvas, Barnum, Fiord, Ritz                           | Black, Bronzed | 3-6 weeks | 6.00 kg | <b>4.292</b>        | <b>5.365</b>         |
| <b>Fabric gr. 3</b> | Black, White, Beige Sand, Red Brown, Light Blue, Stone Grey | Clay, Hallingdal, Steelcut Quartet, Steelcut Trio     | Black, Bronzed | 3-6 weeks | 6.00 kg | <b>4.412</b>        | <b>5.515</b>         |
| <b>Fabric gr. 4</b> | Black, White, Beige Sand, Red Brown, Light Blue, Stone Grey | Acca, Cifrado, Ecriture, Moss, Uniform Melange, Vidar | Black, Bronzed | 3-6 weeks | 6.00 kg | <b>4.772</b>        | <b>5.965</b>         |
| <b>Fabric gr. 5</b> | Black, White, Beige Sand, Red Brown, Light Blue, Stone Grey | Karakorum, Sisu                                       | Black, Bronzed | 3-6 weeks | 6.00 kg | <b>5.248</b>        | <b>6.560</b>         |
| <b>Fabric gr. 6</b> | Black, White, Beige Sand, Red Brown, Light Blue, Stone Grey | Fuse, Gentle  | Black, Bronzed | 3-6 weeks | 6.00 kg | <b>5.724</b>        | <b>7.155</b>         |
| <b>Leather</b>      | Black, White, Beige Sand, Red Brown, Light Blue, Stone Grey | Tailor Semi-aniline leather                           | Black, Bronzed | 3-6 weeks | 6.00 kg | <b>4.412</b>        | <b>5.515</b>         |
| <b>Leather</b>      | Black, White, Beige Sand, Red Brown, Light Blue, Stone Grey | Noble Aniline leather                                 | Black, Bronzed | 3-6 weeks | 6.00 kg | <b>4.772</b>        | <b>5.965</b>         |
| <b>Leather</b>      | Black, White, Beige Sand, Red Brown, Light Blue, Stone Grey | Elmosoft Semi-aniline leather                         | Black, Bronzed | 3-6 weeks | 6.00 kg | <b>5.128</b>        | <b>6.410</b>         |
| <b>Fabric COM</b>   | Black, White, Beige Sand, Red Brown, Light Blue, Stone Grey | COM Fabric  | Black, Bronzed | 3-6 weeks | 6.00 kg | <b>3.936</b>        | <b>4.920</b>         |

**Material:** Shell made from 100% recycled polypropylene with fiber glass, HR foam seat covered with fabric or leather upholstery, steel tube base.

Wagner QuickClick Plast gliders are installed as standard.  
Wagner QuickClick Felt gliders available upon request.

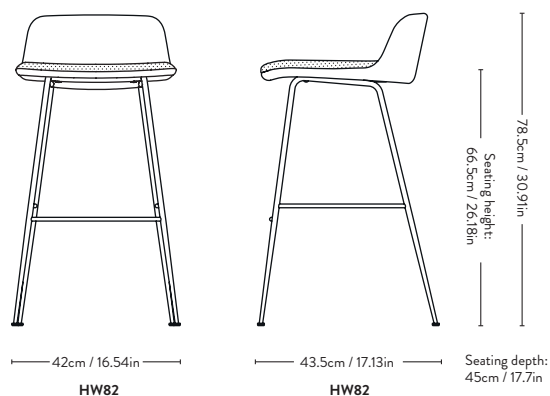
**Fabric usage:** 0.49 meter based on a 140 cm roll.

**Leather usage:** 1 square meter based on a yield of 60% pr hide.

COM must be approved by &Tradition to ensure suitability for upholstery.



EU Ecolabel certified, validating high standards of durability, circular design, and responsible use of chemicals. Please contact our sales team for a list of EU Ecolabel compliant combinations.



# Rely <sup>HW83</sup> Hee Welling 2022



| Price group  | Upholstery  | Model | Base           | Lead time | Weight  | PRICE EX. VAT (SEK) | PRICE INC. VAT (SEK) |
|--------------|---|-------|----------------|-----------|---------|---------------------|----------------------|
| Fabric gr. 1 | Hot Madison, Remix, Re-Wool                           | HW83  | Black, Bronzed | 3-6 weeks | 5.60 kg | 4.772               | 5.965                |
| Fabric gr. 2 | Canvas, Barnum, Fiord, Ritz                           | HW83  | Black, Bronzed | 3-6 weeks | 5.60 kg | 5.488               | 6.860                |
| Fabric gr. 3 | Clay, Hallingdal, Steelcut Quartet, Steelcut Trio     | HW83  | Black, Bronzed | 3-6 weeks | 5.60 kg | 5.724               | 7.155                |
| Fabric gr. 4 | Acca, Cifrado, Ecriture, Moss, Uniform Melange, Vidar | HW83  | Black, Bronzed | 3-6 weeks | 5.60 kg | 6.324               | 7.905                |
| Fabric gr. 5 | Karakorum, Sisu                                       | HW83  | Black, Bronzed | 3-6 weeks | 5.60 kg | 7.756               | 9.695                |
| Fabric gr. 6 | Fuse, Gentle  | HW83  | Black, Bronzed | 3-6 weeks | 5.60 kg | 8.472               | 10.590               |
| Leather      | Tailor Semi-aniline leather                           | HW83  | Black, Bronzed | 3-6 weeks | 5.60 kg | 6.680               | 8.350                |
| Leather      | Noble Aniline leather                                 | HW83  | Black, Bronzed | 3-6 weeks | 5.60 kg | 7.040               | 8.800                |
| Leather      | Elmosoft Semi-aniline leather                         | HW83  | Black, Bronzed | 3-6 weeks | 5.60 kg | 7.636               | 9.545                |
| Fabric COM   | COM Fabric  | HW83  | Black, Bronzed | 3-6 weeks | 5.60 kg | 4.772               | 5.965                |

**Material:** Shell made from 100% recycled polypropylene with fiber glass, covered with HR foam with fabric or leather upholstery, steel tube base.

Wagner QuickClick Plast gliders are installed as standard.  
Wagner QuickClick Felt gliders available upon request.

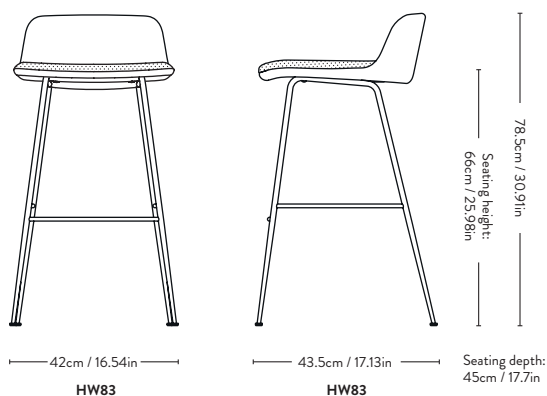
**Fabric usage:** 1.1 meters based on 140cm roll.

**Leather usage:** 1.7 square meters based on a yield of 60% pr hide.

COM must be approved by &Tradition to ensure suitability for upholstery.



EU Ecolabel certified, validating high standards of durability, circular design, and responsible use of chemicals. Please contact our sales team for a list of EU Ecolabel compliant combinations.



# Rely HW84

## Hee Welling

### 2022



| Price group  | Upholstery  | Model | Base           | Lead time | Weight  | PRICE EX. VAT (SEK) | PRICE INC. VAT (SEK) |
|--------------|---|-------|----------------|-----------|---------|---------------------|----------------------|
| Fabric gr. 1 | Hot Madison, Remix, Re-Wool                           | HW84  | Black, Bronzed | 3-6 weeks | 6.20 kg | 5.008               | 6.260                |
| Fabric gr. 2 | Canvas, Barnum, Fiord, Ritz                           | HW84  | Black, Bronzed | 3-6 weeks | 6.20 kg | 5.724               | 7.155                |
| Fabric gr. 3 | Clay, Hallingdal, Steelcut Quartet, Steelcut Trio     | HW84  | Black, Bronzed | 3-6 weeks | 6.20 kg | 5.964               | 7.455                |
| Fabric gr. 4 | Acca, Cifrado, Ecriture, Moss, Uniform Melange, Vidar | HW84  | Black, Bronzed | 3-6 weeks | 6.20 kg | 6.560               | 8.200                |
| Fabric gr. 5 | Karakorum, Sisu                                       | HW84  | Black, Bronzed | 3-6 weeks | 6.20 kg | 7.996               | 9.995                |
| Fabric gr. 6 | Fuse, Gentle  | HW84  | Black, Bronzed | 3-6 weeks | 6.20 kg | 8.828               | 11.035               |
| Leather      | Tailor Semi-aniline leather                           | HW84  | Black, Bronzed | 3-6 weeks | 6.20 kg | 6.920               | 8.650                |
| Leather      | Noble Aniline leather                                 | HW84  | Black, Bronzed | 3-6 weeks | 6.20 kg | 7.276               | 9.095                |
| Leather      | Elmosoft Semi-aniline leather                         | HW84  | Black, Bronzed | 3-6 weeks | 6.20 kg | 7.996               | 9.995                |
| Fabric COM   | COM Fabric  | HW84  | Black, Bronzed | 3-6 weeks | 6.20 kg | 5.008               | 6.260                |

**Material:** Shell made from 100% recycled polypropylene with fiber glass, covered with HR foam with fabric or leather upholstery, steel tube base.

Wagner QuickClick Plast gliders are installed as standard.  
Wagner QuickClick Felt gliders available upon request.

**Fabric usage:** 1.8 meters based on a 140cm roll.

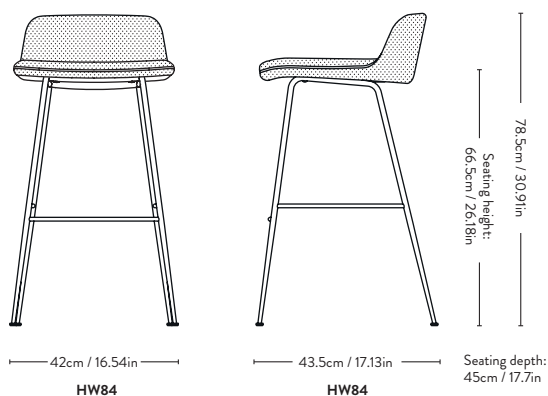
**Leather usage:** 2.2 square meters based on a yield of 60% pr hide.

COM must be approved by &Tradition to ensure suitability for upholstery.



EU Ecolabel certified, validating high standards of durability, circular design, and responsible use of chemicals. Please contact our sales team for a list of EU Ecolabel compliant combinations.

EU Ecolabel : DK/049/019





# Rely <sup>HW85</sup> Hee Welling 2022



Please note that price is accumulated price of shell & seat.

| Price group  | Shell Upholstery                                      | Base           | Lead time | Weight   | PRICE EX. VAT (SEK) | PRICE INC. VAT (SEK) |
|--------------|---|----------------|-----------|----------|---------------------|----------------------|
| Fabric gr. 1 | Hot Madison, Remix, Re-Wool                           | Black, Bronzed | 3-6 weeks | 10.50 kg | 3.812               | 4.765                |
| Fabric gr. 2 | Canvas, Barnum, Fiord, Ritz                           | Black, Bronzed | 3-6 weeks | 10.50 kg | 4.180               | 5.225                |
| Fabric gr. 3 | Clay, Hallingdal, Steelcut Quartet, Steelcut Trio     | Black, Bronzed | 3-6 weeks | 10.50 kg | 4.300               | 5.375                |
| Fabric gr. 4 | Acca, Cifrado, Ecriture, Moss, Uniform Melange, Vidar | Black, Bronzed | 3-6 weeks | 10.50 kg | 4.540               | 5.675                |
| Fabric gr. 5 | Karakorum, Sisu                                       | Black, Bronzed | 3-6 weeks | 10.50 kg | 5.496               | 6.870                |
| Fabric gr. 6 | Fuse, Gentle  | Black, Bronzed | 3-6 weeks | 10.50 kg | 6.080               | 7.600                |
| Leather      | Tailor Semi-aniline leather                           | Black, Bronzed | 3-6 weeks | 10.50 kg | 5.016               | 6.270                |
| Leather      | Noble Aniline leather                                 | Black, Bronzed | 3-6 weeks | 10.50 kg | 5.256               | 6.570                |
| Leather      | Elmosoft Semi-aniline leather                         | Black, Bronzed | 3-6 weeks | 10.50 kg | 5.496               | 6.870                |
| Fabric COM   | COM Fabric  | Black, Bronzed | 3-6 weeks | 10.50 kg | 3.812               | 4.765                |

| Price group  | Seat Upholstery                                       | Lead time | PRICE EX. VAT (SEK) | PRICE INC. VAT (SEK) |
|--------------|---|-----------|---------------------|----------------------|
| Fabric gr. 1 | Hot Madison, Remix, Re-Wool                           | 3-6 weeks | 1.196               | 1.495                |
| Fabric gr. 2 | Canvas, Barnum, Fiord, Ritz                           | 3-6 weeks | 1.556               | 1.945                |
| Fabric gr. 3 | Clay, Hallingdal, Steelcut Quartet, Steelcut Trio     | 3-6 weeks | 1.676               | 2.095                |
| Fabric gr. 4 | Acca, Cifrado, Ecriture, Moss, Uniform Melange, Vidar | 3-6 weeks | 2.032               | 2.540                |
| Fabric gr. 5 | Karakorum, Sisu                                       | 3-6 weeks | 2.512               | 3.140                |
| Fabric gr. 6 | Fuse, Gentle  | 3-6 weeks | 2.752               | 3.440                |
| Leather      | Tailor Semi-aniline leather                           | 3-6 weeks | 1.912               | 2.390                |
| Leather      | Noble Aniline leather                                 | 3-6 weeks | 2.032               | 2.540                |
| Leather      | Elmosoft Semi-aniline leather                         | 3-6 weeks | 2.512               | 3.140                |
| Fabric COM   | COM Fabric  | 3-6 weeks | 1.196               | 1.495                |

**Material:** Shell made from 100% recycled polypropylene with fiber glass, covered with HR foam with fabric or leather upholstery, steel tube base.

Wagner QuickClick Plast gliders are installed as standard.  
Wagner QuickClick Felt gliders available upon request.

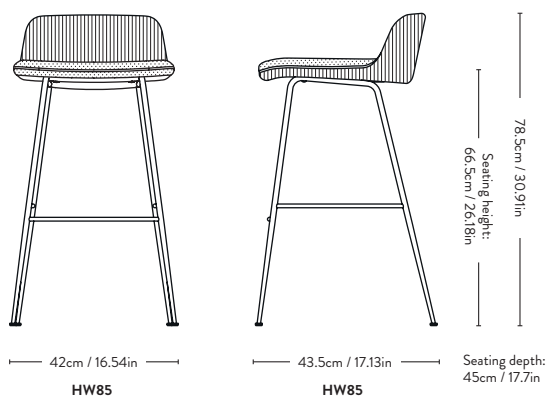
**Fabric usage:** 1.3 meters (shell), 0.8 meters (cushion) based on 140cm roll.  
**Leather usage:** 2.3 square meters (shell), 0.7 square meters (cushion) based on a yield of 60% pr hide.

COM must be approved by &Tradition to ensure suitability for upholstery.

**Minimum order quantity of same variant: 4 pcs.**



EU Ecolabel certified, validating high standards of durability, circular design, and responsible use of chemicals. Please contact our sales team for a list of EU Ecolabel compliant combinations.



# Rely HW86

## Hee Welling

### 2022



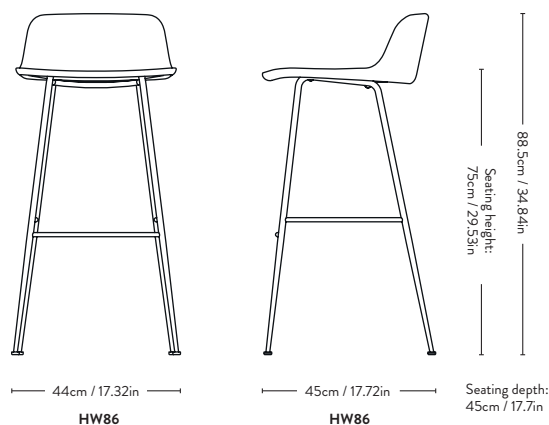
| Item code | Shell Colour | Model | Base           | Colli qty. | Lead time | Weight  | PRICE EX. VAT (SEK) | PRICE INC. VAT (SEK) |
|-----------|--------------|-------|----------------|------------|-----------|---------|---------------------|----------------------|
| HW        | Black        | HW86  | Black, Bronzed | 1 pc       | 2-3 weeks | 5.50 kg | 2.740               | 3.425                |
| HW        | White        | HW86  | Black, Bronzed | 1 pc       | 2-3 weeks | 5.50 kg | 2.740               | 3.425                |
| HW        | Beige Sand   | HW86  | Black, Bronzed | 1 pc       | 2-3 weeks | 5.50 kg | 2.740               | 3.425                |
| HW        | Red Brown    | HW86  | Black, Bronzed | 1 pc       | 2-3 weeks | 5.50 kg | 2.740               | 3.425                |
| HW        | Light Blue   | HW86  | Black, Bronzed | 1 pc       | 2-3 weeks | 5.50 kg | 2.740               | 3.425                |
| HW        | Stone Grey   | HW86  | Black, Bronzed | 1 pc       | 2-3 weeks | 5.50 kg | 2.740               | 3.425                |

**Material:** Shell made from 100% recycled polypropylene with fiber glass and a steel tube base.

Wagner QuickClick Plast gliders are installed as standard.  
Wagner QuickClick Felt gliders available upon request.



EU Ecolabel certified, validating high standards of durability, circular design, and responsible use of chemicals. Please contact our sales team for a list of EU Ecolabel compliant combinations.



# Rely HW87 Hee Welling 2022



| Price group  | Shell Colour  | Seat Cushion Upholstery  | Base           | Lead time | Weight  | PRICE EX. VAT (SEK) | PRICE INC. VAT (SEK) |
|--------------|---|--|----------------|-----------|---------|---------------------|----------------------|
| Fabric gr. 1 | Black, White, Beige Sand, Red Brown, Light Blue, Stone Grey | Hot Madison, Remix, Re-Wool                                      | Black, Bronzed | 3-6 weeks | 6.30 kg | 3.936               | 4.920                |
| Fabric gr. 2 | Black, White, Beige Sand, Red Brown, Light Blue, Stone Grey | Canvas, Barnum, Fiord, Ritz                                      | Black, Bronzed | 3-6 weeks | 6.30 kg | 4.292               | 5.365                |
| Fabric gr. 3 | Black, White, Beige Sand, Red Brown, Light Blue, Stone Grey | Clay, Hallingdal, Steelcut Quartet, Steelcut Black, Bronzed Trio | Black, Bronzed | 3-6 weeks | 6.30 kg | 4.412               | 5.515                |
| Fabric gr. 4 | Black, White, Beige Sand, Red Brown, Light Blue, Stone Grey | Acca, Cifrado, Ecriture, Moss, Uniform Melange, Vidar            | Black, Bronzed | 3-6 weeks | 6.30 kg | 4.772               | 5.965                |
| Fabric gr. 5 | Black, White, Beige Sand, Red Brown, Light Blue, Stone Grey | Karakorum, Sisu  | Black, Bronzed | 3-6 weeks | 6.30 kg | 5.248               | 6.560                |
| Fabric gr. 6 | Black, White, Beige Sand, Red Brown, Light Blue, Stone Grey | Fuse, Gentle   | Black, Bronzed | 3-6 weeks | 6.30 kg | 5.724               | 7.155                |
| Leather      | Black, White, Beige Sand, Red Brown, Light Blue, Stone Grey | Tailor Semi-aniline leather                                      | Black, Bronzed | 3-6 weeks | 6.30 kg | 4.412               | 5.515                |
| Leather      | Black, White, Beige Sand, Red Brown, Light Blue, Stone Grey | Noble Aniline leather  | Black, Bronzed | 3-6 weeks | 6.30 kg | 4.772               | 5.965                |
| Leather      | Black, White, Beige Sand, Red Brown, Light Blue, Stone Grey | Elmosoft Semi-aniline leather                                    | Black, Bronzed | 3-6 weeks | 6.30 kg | 5.128               | 6.410                |
| Fabric COM   | Black, White, Beige Sand, Red Brown, Light Blue, Stone Grey | COM Fabric   | Black, Bronzed | 3-6 weeks | 6.30 kg | 3.936               | 4.920                |

**Material:** Shell made from 100% recycled polypropylene with fiber glass, HR foam seat covered with fabric or leather upholstery, steel tube base.

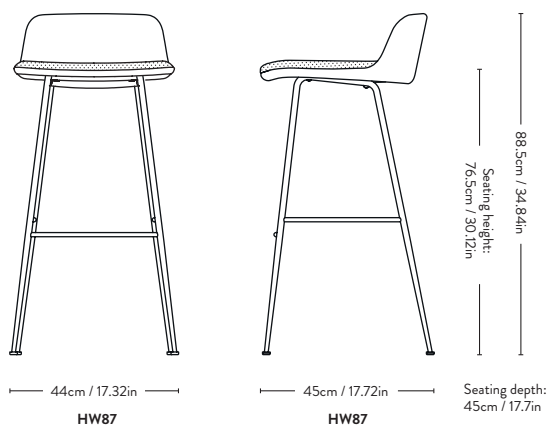
Wagner QuickClick Plast gliders are installed as standard.

Wagner QuickClick Felt gliders available upon request.

**Fabric usage:** 0.49 meter based on a 140 cm roll.

**Leather usage:** 1 square meter based on a yield of 60% pr hide.

COM must be approved by &Tradition to ensure suitability for upholstery.



EU Ecolabel certified, validating high standards of durability, circular design, and responsible use of chemicals. Please contact our sales team for a list of EU Ecolabel compliant combinations.

# Rely HW88

## Hee Welling

### 2022



| Price group  | Upholstery  | Model | Base           | Lead time | Weight  | PRICE EX. VAT (SEK) | PRICE INC. VAT (SEK) |
|--------------|---|-------|----------------|-----------|---------|---------------------|----------------------|
| Fabric gr. 1 | Hot Madison, Remix, Re-Wool                           | HW88  | Black, Bronzed | 3-6 weeks | 5.80 kg | 4.772               | 5.965                |
| Fabric gr. 2 | Canvas, Barnum, Fiord, Ritz                           | HW88  | Black, Bronzed | 3-6 weeks | 5.80 kg | 5.488               | 6.860                |
| Fabric gr. 3 | Clay, Hallingdal, Steelcut Quartet, Steelcut Trio     | HW88  | Black, Bronzed | 3-6 weeks | 5.80 kg | 5.724               | 7.155                |
| Fabric gr. 4 | Acca, Cifrado, Ecriture, Moss, Uniform Melange, Vidar | HW88  | Black, Bronzed | 3-6 weeks | 5.80 kg | 6.324               | 7.905                |
| Fabric gr. 5 | Karakorum, Sisu                                       | HW88  | Black, Bronzed | 3-6 weeks | 5.80 kg | 7.756               | 9.695                |
| Fabric gr. 6 | Fuse, Gentle  | HW88  | Black, Bronzed | 3-6 weeks | 5.80 kg | 8.472               | 10.590               |
| Leather      | Tailor Semi-aniline leather                           | HW88  | Black, Bronzed | 3-6 weeks | 5.80 kg | 6.680               | 8.350                |
| Leather      | Noble Aniline leather                                 | HW88  | Black, Bronzed | 3-6 weeks | 5.80 kg | 7.040               | 8.800                |
| Leather      | Elmosoft Semi-aniline leather                         | HW88  | Black, Bronzed | 3-6 weeks | 5.80 kg | 7.636               | 9.545                |
| Fabric COM   | COM Fabric  | HW88  | Black, Bronzed | 3-6 weeks | 5.80 kg | 4.772               | 5.965                |

**Material:** Shell made from 100% recycled polypropylene with fiber glass, covered with HR foam with fabric or leather upholstery, steel tube base.

Wagner QuickClick Plast gliders are installed as standard.  
Wagner QuickClick Felt gliders available upon request.

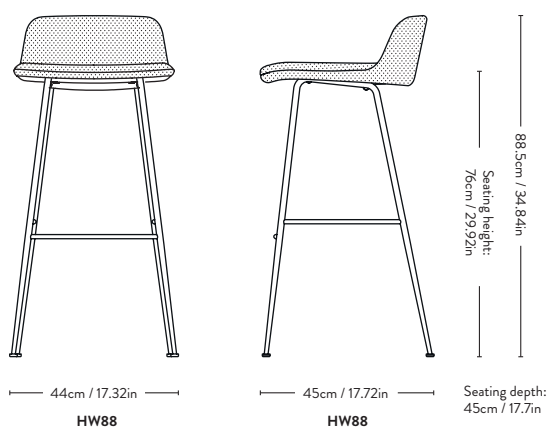
**Fabric usage:** 1.1 meters based on 140cm roll.

**Leather usage:** 1.7 square meters based on a yield of 60% pr hide.

COM must be approved by &Tradition to ensure suitability for upholstery.



EU Ecolabel certified, validating high standards of durability, circular design, and responsible use of chemicals. Please contact our sales team for a list of EU Ecolabel compliant combinations.



# Rely <sup>HW89</sup> Hee Welling 2022



| Price group  | Upholstery  | Model | Base           | Lead time | Weight  | PRICE EX. VAT (SEK) | PRICE INC. VAT (SEK) |
|--------------|---|-------|----------------|-----------|---------|---------------------|----------------------|
| Fabric gr. 1 | Hot Madison, Remix, Re-Wool                           | HW89  | Black, Bronzed | 3-6 weeks | 6.50 kg | 5.008               | 6.260                |
| Fabric gr. 2 | Canvas, Barnum, Fiord, Ritz                           | HW89  | Black, Bronzed | 3-6 weeks | 6.50 kg | 5.724               | 7.155                |
| Fabric gr. 3 | Clay, Hallingdal, Steelcut Quartet, Steelcut Trio     | HW89  | Black, Bronzed | 3-6 weeks | 6.50 kg | 5.964               | 7.455                |
| Fabric gr. 4 | Acca, Cifrado, Ecriture, Moss, Uniform Melange, Vidar | HW89  | Black, Bronzed | 3-6 weeks | 6.50 kg | 6.560               | 8.200                |
| Fabric gr. 5 | Karakorum, Sisu                                       | HW89  | Black, Bronzed | 3-6 weeks | 6.50 kg | 7.996               | 9.995                |
| Fabric gr. 6 | Fuse, Gentle  | HW89  | Black, Bronzed | 3-6 weeks | 6.50 kg | 8.828               | 11.035               |
| Leather      | Tailor Semi-aniline leather                           | HW89  | Black, Bronzed | 3-6 weeks | 6.50 kg | 6.920               | 8.650                |
| Leather      | Noble Aniline leather                                 | HW89  | Black, Bronzed | 3-6 weeks | 6.50 kg | 7.276               | 9.095                |
| Leather      | Elmosoft Semi-aniline leather                         | HW89  | Black, Bronzed | 3-6 weeks | 6.50 kg | 7.996               | 9.995                |
| Fabric COM   | COM Fabric  | HW89  | Black, Bronzed | 3-6 weeks | 6.50 kg | 5.008               | 6.260                |

**Material:** Shell made from 100% recycled polypropylene with fiber glass, covered with HR foam with fabric or leather upholstery, steel tube base.

Wagner QuickClick Plast gliders are installed as standard.  
Wagner QuickClick Felt gliders available upon request.

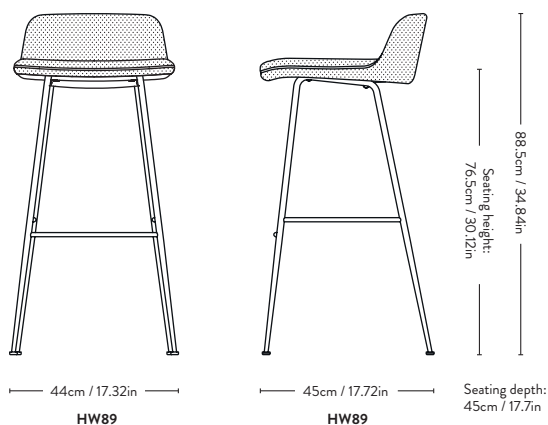
**Fabric usage:** 1.8 meters based on a 140cm roll.

**Leather usage:** 2.2 square meters based on a yield of 60% pr hide.

COM must be approved by &Tradition to ensure suitability for upholstery.



EU Ecolabel certified, validating high standards of durability, circular design, and responsible use of chemicals. Please contact our sales team for a list of EU Ecolabel compliant combinations.



# Rely HW90

## Hee Welling

### 2022



Please note that price is accumulated price of shell & seat.

| Price group  | Shell Upholstery                                      | Base           | Lead time | Weight   | PRICE EX. VAT (SEK) | PRICE INC. VAT (SEK) |
|--------------|---|----------------|-----------|----------|---------------------|----------------------|
| Fabric gr. 1 | Hot Madison, Remix, Re-Wool                           | Black, Bronzed | 3-6 weeks | 10.50 kg | 3.812               | 4.765                |
| Fabric gr. 2 | Canvas, Barnum, Fiord, Ritz                           | Black, Bronzed | 3-6 weeks | 10.50 kg | 4.180               | 5.225                |
| Fabric gr. 3 | Clay, Hallingdal, Steelcut Quartet, Steelcut Trio     | Black, Bronzed | 3-6 weeks | 10.50 kg | 4.300               | 5.375                |
| Fabric gr. 4 | Acca, Cifrado, Ecriture, Moss, Uniform Melange, Vidar | Black, Bronzed | 3-6 weeks | 10.50 kg | 4.540               | 5.675                |
| Fabric gr. 5 | Karakorum, Sisu                                       | Black, Bronzed | 3-6 weeks | 10.50 kg | 5.496               | 6.870                |
| Fabric gr. 6 | Fuse, Gentle  | Black, Bronzed | 3-6 weeks | 10.50 kg | 6.080               | 7.600                |
| Leather      | Tailor Semi-aniline leather                           | Black, Bronzed | 3-6 weeks | 10.50 kg | 5.016               | 6.270                |
| Leather      | Noble Aniline leather                                 | Black, Bronzed | 3-6 weeks | 10.50 kg | 5.256               | 6.570                |
| Leather      | Elmosoft Semi-aniline leather                         | Black, Bronzed | 3-6 weeks | 10.50 kg | 5.496               | 6.870                |
| Fabric COM   | COM Fabric  | Black, Bronzed | 3-6 weeks | 10.50 kg | 3.812               | 4.765                |

| Price group  | Seat Upholstery                                       | Lead time | PRICE EX. VAT (SEK) | PRICE INC. VAT (SEK) |
|--------------|---|-----------|---------------------|----------------------|
| Fabric gr. 1 | Hot Madison, Remix, Re-Wool                           | 3-6 weeks | 1.196               | 1.495                |
| Fabric gr. 2 | Canvas, Barnum, Fiord, Ritz                           | 3-6 weeks | 1.556               | 1.945                |
| Fabric gr. 3 | Clay, Hallingdal, Steelcut Quartet, Steelcut Trio     | 3-6 weeks | 1.676               | 2.095                |
| Fabric gr. 4 | Acca, Cifrado, Ecriture, Moss, Uniform Melange, Vidar | 3-6 weeks | 2.032               | 2.540                |
| Fabric gr. 5 | Karakorum, Sisu                                       | 3-6 weeks | 2.512               | 3.140                |
| Fabric gr. 6 | Fuse, Gentle  | 3-6 weeks | 2.752               | 3.440                |
| Leather      | Tailor Semi-aniline leather                           | 3-6 weeks | 1.912               | 2.390                |
| Leather      | Noble Aniline leather                                 | 3-6 weeks | 2.032               | 2.540                |
| Leather      | Elmosoft Semi-aniline leather                         | 3-6 weeks | 2.512               | 3.140                |
| Fabric COM   | COM Fabric  | 3-6 weeks | 1.196               | 1.495                |

**Material:** Shell made from 100% recycled polypropylene with fiber glass, covered with HR foam with fabric or leather upholstery, steel tube base.

Wagner QuickClick Plast gliders are installed as standard. Wagner QuickClick Felt gliders available upon request.

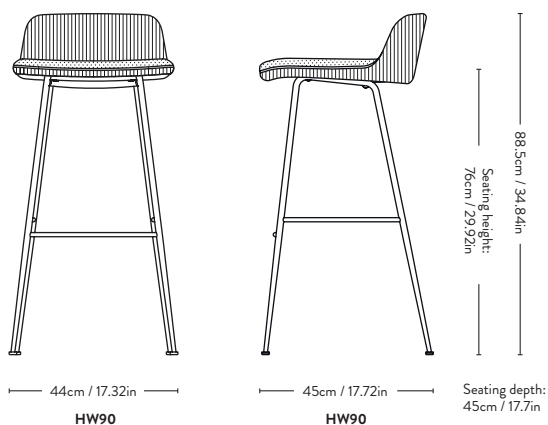
**Fabric usage:** 1.3 meters (shell), 0.8 meters (cushion) based on 140cm roll.  
**Leather usage:** 2.3 square meters (shell), 0.7 square meters (cushion) based on a yield of 60% pr hide.

COM must be approved by &Tradition to ensure suitability for upholstery.

**Minimum order quantity of same variant: 4 pcs.**



EU Ecolabel certified, validating high standards of durability, circular design, and responsible use of chemicals. Please contact our sales team for a list of EU Ecolabel compliant combinations.



# Rely <sup>HW91</sup> Hee Welling 2022



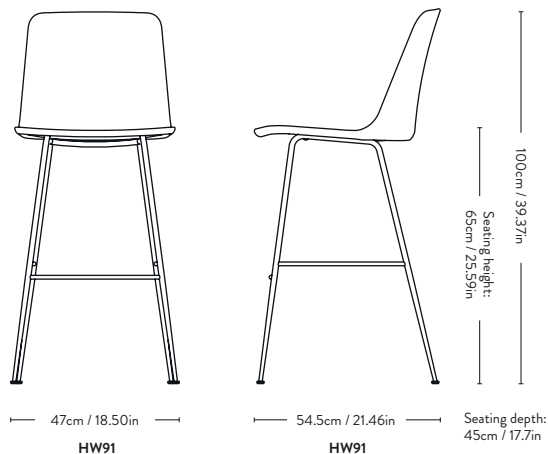
| Item code | Shell Colour | Model | Base           | Colli qty. | Lead time | Weight  | PRICE EX. VAT (SEK) | PRICE INC. VAT (SEK) |
|-----------|--------------|-------|----------------|------------|-----------|---------|---------------------|----------------------|
| HW        | Black        | HW91  | Black, Bronzed | 1 pc       | 2-3 weeks | 7.10 kg | 2.980               | 3.725                |
| HW        | White        | HW91  | Black, Bronzed | 1 pc       | 2-3 weeks | 7.10 kg | 2.980               | 3.725                |
| HW        | Beige Sand   | HW91  | Black, Bronzed | 1 pc       | 2-3 weeks | 7.10 kg | 2.980               | 3.725                |
| HW        | Red Brown    | HW91  | Black, Bronzed | 1 pc       | 2-3 weeks | 7.10 kg | 2.980               | 3.725                |
| HW        | Light Blue   | HW91  | Black, Bronzed | 1 pc       | 2-3 weeks | 7.10 kg | 2.980               | 3.725                |
| HW        | Stone Grey   | HW91  | Black, Bronzed | 1 pc       | 2-3 weeks | 7.10 kg | 2.980               | 3.725                |

**Material:** Shell made from 100% recycled polypropylene with fiber glass and a steel tube base.

Wagner QuickClick Plast gliders are installed as standard.  
Wagner QuickClick Felt gliders available upon request.



EU Ecolabel certified, validating high standards of durability, circular design, and responsible use of chemicals. Please contact our sales team for a list of EU Ecolabel compliant combinations.



# Rely HW92

## Hee Welling

### 2022



| Price group  | Shell Colour  | Seat Cushion Upholstery  | Base           | Lead time | Weight  | PRICE EX. VAT (SEK) | PRICE INC. VAT (SEK) |
|--------------|---|--|----------------|-----------|---------|---------------------|----------------------|
| Fabric gr. 1 | Black, White, Beige Sand, Red Brown, Light Blue, Stone Grey | Hot Madison, Remix, Re-Wool                                      | Black, Bronzed | 3-6 weeks | 7.90 kg | 4.172               | 5.215                |
| Fabric gr. 2 | Black, White, Beige Sand, Red Brown, Light Blue, Stone Grey | Canvas, Barnum, Fiord, Ritz                                      | Black, Bronzed | 3-6 weeks | 7.90 kg | 4.532               | 5.665                |
| Fabric gr. 3 | Black, White, Beige Sand, Red Brown, Light Blue, Stone Grey | Clay, Hallingdal, Steelcut Quartet, Steelcut Black, Bronzed Trio | Black, Bronzed | 3-6 weeks | 7.90 kg | 4.652               | 5.815                |
| Fabric gr. 4 | Black, White, Beige Sand, Red Brown, Light Blue, Stone Grey | Acca, Cifrado, Ecriture, Moss, Uniform Melange, Vidar            | Black, Bronzed | 3-6 weeks | 7.90 kg | 5.008               | 6.260                |
| Fabric gr. 5 | Black, White, Beige Sand, Red Brown, Light Blue, Stone Grey | Karakorum, Sisu  | Black, Bronzed | 3-6 weeks | 7.90 kg | 5.488               | 6.860                |
| Fabric gr. 6 | Black, White, Beige Sand, Red Brown, Light Blue, Stone Grey | Fuse, Gentle   | Black, Bronzed | 3-6 weeks | 7.90 kg | 6.084               | 7.605                |
| Leather      | Black, White, Beige Sand, Red Brown, Light Blue, Stone Grey | Tailor Semi-aniline leather                                      | Black, Bronzed | 3-6 weeks | 7.90 kg | 4.652               | 5.815                |
| Leather      | Black, White, Beige Sand, Red Brown, Light Blue, Stone Grey | Noble Aniline leather  | Black, Bronzed | 3-6 weeks | 7.90 kg | 5.008               | 6.260                |
| Leather      | Black, White, Beige Sand, Red Brown, Light Blue, Stone Grey | Elmosoft Semi-aniline leather                                    | Black, Bronzed | 3-6 weeks | 7.90 kg | 5.368               | 6.710                |
| Fabric COM   | Black, White, Beige Sand, Red Brown, Light Blue, Stone Grey | COM Fabric   | Black, Bronzed | 3-6 weeks | 7.90 kg | 4.172               | 5.215                |

**Material:** Shell made from 100% recycled polypropylene with fiber glass, HR foam seat covered with fabric or leather upholstery, steel tube base.

Wagner QuickClick Plast gliders are installed as standard.  
Wagner QuickClick Felt gliders available upon request.

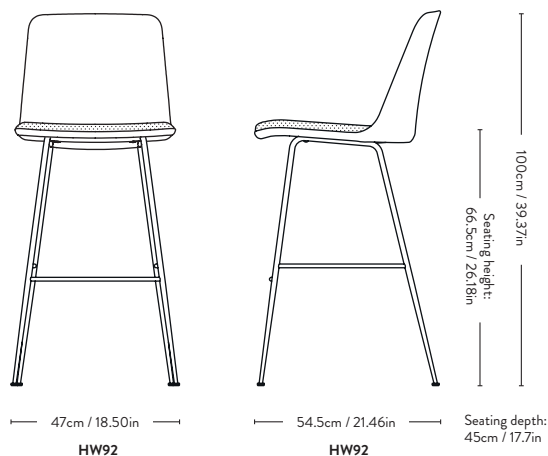
**Fabric usage:** 0.49 meter based on a 140 cm roll.

**Leather usage:** 1 square meter based on a yield of 60% pr hide.

COM must be approved by &Tradition to ensure suitability for upholstery.



EU Ecolabel certified, validating high standards of durability, circular design, and responsible use of chemicals.  
Please contact our sales team for a list of EU Ecolabel compliant combinations.





# Rely <sup>HW93</sup> Hee Welling 2022



| Price group  | Upholstery  | Model | Base           | Lead time | Weight  | PRICE EX. VAT (SEK) | PRICE INC. VAT (SEK) |
|--------------|---|-------|----------------|-----------|---------|---------------------|----------------------|
| Fabric gr. 1 | Hot Madison, Remix, Re-Wool                           | HW93  | Black, Bronzed | 3-6 weeks | 7.60 kg | 5.128               | 6.410                |
| Fabric gr. 2 | Canvas, Barnum, Fiord, Ritz                           | HW93  | Black, Bronzed | 3-6 weeks | 7.60 kg | 5.844               | 7.305                |
| Fabric gr. 3 | Clay, Hallingdal, Steelcut Quartet, Steelcut Trio     | HW93  | Black, Bronzed | 3-6 weeks | 7.60 kg | 6.084               | 7.605                |
| Fabric gr. 4 | Acca, Cifrado, Ecriture, Moss, Uniform Melange, Vidar | HW93  | Black, Bronzed | 3-6 weeks | 7.60 kg | 6.680               | 8.350                |
| Fabric gr. 5 | Karakorum, Sisu                                       | HW93  | Black, Bronzed | 3-6 weeks | 7.60 kg | 8.112               | 10.140               |
| Fabric gr. 6 | Fuse, Gentle  | HW93  | Black, Bronzed | 3-6 weeks | 7.60 kg | 8.948               | 11.185               |
| Leather      | Tailor Semi-aniline leather                           | HW93  | Black, Bronzed | 3-6 weeks | 7.60 kg | 7.040               | 8.800                |
| Leather      | Noble Aniline leather                                 | HW93  | Black, Bronzed | 3-6 weeks | 7.60 kg | 7.396               | 9.245                |
| Leather      | Elmosoft Semi-aniline leather                         | HW93  | Black, Bronzed | 3-6 weeks | 7.60 kg | 7.996               | 9.995                |
| Fabric COM   | COM Fabric  | HW93  | Black, Bronzed | 3-6 weeks | 7.60 kg | 5.128               | 6.410                |

**Material:** Shell made from 100% recycled polypropylene with fiber glass, covered with HR foam with fabric or leather upholstery, steel tube base.

Wagner QuickClick Plast gliders are installed as standard.  
Wagner QuickClick Felt gliders available upon request.

**Fabric usage:** 1.4 meters based on 140cm roll.

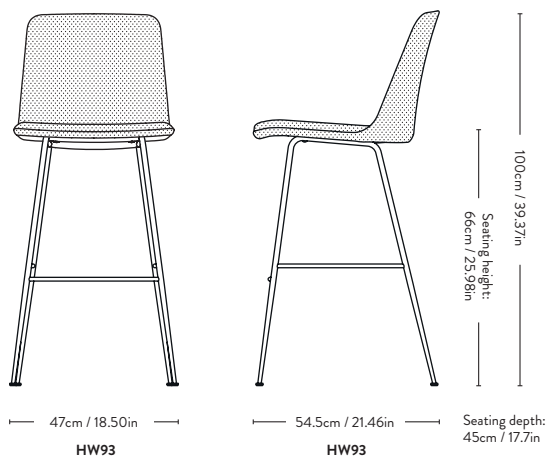
**Leather usage:** 2.2 square meters based on a yield of 60% pr hide.

COM must be approved by &Tradition to ensure suitability for upholstery.

EU Ecolabel certified, validating high standards of durability, circular design, and responsible use of chemicals. Please contact our sales team for a list of EU Ecolabel compliant combinations.



EU Ecolabel - DK/049/019



# Rely <sup>HW94</sup> Hee Welling 2022



| Price group  | Upholstery  | Model | Base           | Lead time | Weight  | PRICE EX. VAT (SEK) | PRICE INC. VAT (SEK) |
|--------------|---|-------|----------------|-----------|---------|---------------------|----------------------|
| Fabric gr. 1 | Hot Madison, Remix, Re-Wool                           | HW94  | Black, Bronzed | 3-6 weeks | 8.70 kg | 5.368               | 6.710                |
| Fabric gr. 2 | Canvas, Barnum, Fiord, Ritz                           | HW94  | Black, Bronzed | 3-6 weeks | 8.70 kg | 6.084               | 7.605                |
| Fabric gr. 3 | Clay, Hallingdal, Steelcut Quartet, Steelcut Trio     | HW94  | Black, Bronzed | 3-6 weeks | 8.70 kg | 6.204               | 7.755                |
| Fabric gr. 4 | Acca, Cifrado, Ecriture, Moss, Uniform Melange, Vidar | HW94  | Black, Bronzed | 3-6 weeks | 8.70 kg | 6.920               | 8.650                |
| Fabric gr. 5 | Karakorum, Sisu                                       | HW94  | Black, Bronzed | 3-6 weeks | 8.70 kg | 8.352               | 10.440               |
| Fabric gr. 6 | Fuse, Gentle  | HW94  | Black, Bronzed | 3-6 weeks | 8.70 kg | 9.188               | 11.485               |
| Leather      | Tailor Semi-aniline leather                           | HW94  | Black, Bronzed | 3-6 weeks | 8.70 kg | 7.276               | 9.095                |
| Leather      | Noble Aniline leather                                 | HW94  | Black, Bronzed | 3-6 weeks | 8.70 kg | 7.636               | 9.545                |
| Leather      | Elmosoft Semi-aniline leather                         | HW94  | Black, Bronzed | 3-6 weeks | 8.70 kg | 8.712               | 10.890               |
| Fabric COM   | COM Fabric  | HW94  | Black, Bronzed | 3-6 weeks | 8.70 kg | 5.368               | 6.710                |

**Material:** Shell made from 100% recycled polypropylene with fiber glass, covered with HR foam with fabric or leather upholstery, steel tube base.

Wagner QuickClick Plast gliders are installed as standard.  
Wagner QuickClick Felt gliders available upon request.

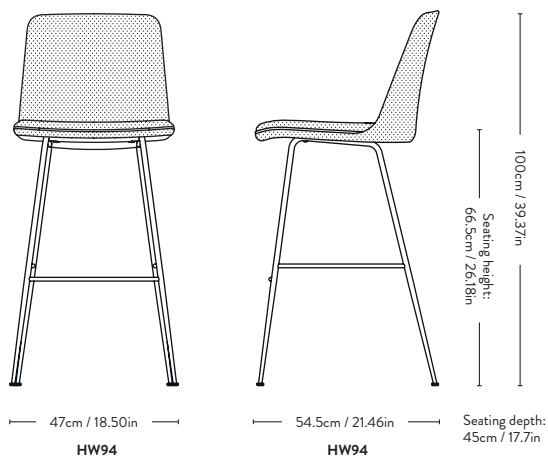
**Fabric usage:** 1.8 meters based on a 140cm roll.

**Leather usage:** 2.7 square meters based on a yield of 60% pr hide.

COM must be approved by &Tradition to ensure suitability for upholstery.



EU Ecolabel certified, validating high standards of durability, circular design, and responsible use of chemicals. Please contact our sales team for a list of EU Ecolabel compliant combinations.



# Rely HW95

## Hee Welling

### 2022



Please note that price is accumulated price of shell & seat.

| Price group  | Shell Upholstery                                      | Base           | Lead time | Weight   | PRICE EX. VAT (SEK) | PRICE INC. VAT (SEK) |
|--------------|---|----------------|-----------|----------|---------------------|----------------------|
| Fabric gr. 1 | Hot Madison, Remix, Re-Wool                           | Black, Bronzed | 3-6 weeks | 10.50 kg | 4.180               | 5.225                |
| Fabric gr. 2 | Canvas, Barnum, Fiord, Ritz                           | Black, Bronzed | 3-6 weeks | 10.50 kg | 4.540               | 5.675                |
| Fabric gr. 3 | Clay, Hallingdal, Steelcut Quartet, Steelcut Trio     | Black, Bronzed | 3-6 weeks | 10.50 kg | 4.540               | 5.675                |
| Fabric gr. 4 | Acca, Cifrado, Ecriture, Moss, Uniform Melange, Vidar | Black, Bronzed | 3-6 weeks | 10.50 kg | 4.892               | 6.115                |
| Fabric gr. 5 | Karakorum, Sisu                                       | Black, Bronzed | 3-6 weeks | 10.50 kg | 5.852               | 7.315                |
| Fabric gr. 6 | Fuse, Gentle  | Black, Bronzed | 3-6 weeks | 10.50 kg | 6.452               | 8.065                |
| Leather      | Tailor Semi-aniline leather                           | Black, Bronzed | 3-6 weeks | 10.50 kg | 5.364               | 6.705                |
| Leather      | Noble Aniline leather                                 | Black, Bronzed | 3-6 weeks | 10.50 kg | 5.608               | 7.010                |
| Leather      | Elmosoft Semi-aniline leather                         | Black, Bronzed | 3-6 weeks | 10.50 kg | 6.212               | 7.765                |
| Fabric COM   | COM Fabric  | Black, Bronzed | 3-6 weeks | 10.50 kg | 4.180               | 5.225                |

| Price group  | Seat Upholstery                                       | Lead time | PRICE EX. VAT (SEK) | PRICE INC. VAT (SEK) |
|--------------|---|-----------|---------------------|----------------------|
| Fabric gr. 1 | Hot Madison, Remix, Re-Wool                           | 3-6 weeks | 1.196               | 1.495                |
| Fabric gr. 2 | Canvas, Barnum, Fiord, Ritz                           | 3-6 weeks | 1.556               | 1.945                |
| Fabric gr. 3 | Clay, Hallingdal, Steelcut Quartet, Steelcut Trio     | 3-6 weeks | 1.676               | 2.095                |
| Fabric gr. 4 | Acca, Cifrado, Ecriture, Moss, Uniform Melange, Vidar | 3-6 weeks | 2.032               | 2.540                |
| Fabric gr. 5 | Karakorum, Sisu                                       | 3-6 weeks | 2.512               | 3.140                |
| Fabric gr. 6 | Fuse, Gentle  | 3-6 weeks | 2.752               | 3.440                |
| Leather      | Tailor Semi-aniline leather                           | 3-6 weeks | 1.912               | 2.390                |
| Leather      | Noble Aniline leather                                 | 3-6 weeks | 2.032               | 2.540                |
| Leather      | Elmosoft Semi-aniline leather                         | 3-6 weeks | 2.512               | 3.140                |
| Fabric COM   | COM Fabric  | 3-6 weeks | 1.196               | 1.495                |

**Material:** Shell made from 100% recycled polypropylene with fiber glass, covered with HR foam with fabric or leather upholstery, steel tube base.

Wagner QuickClick Plast gliders are installed as standard.  
Wagner QuickClick Felt gliders available upon request.

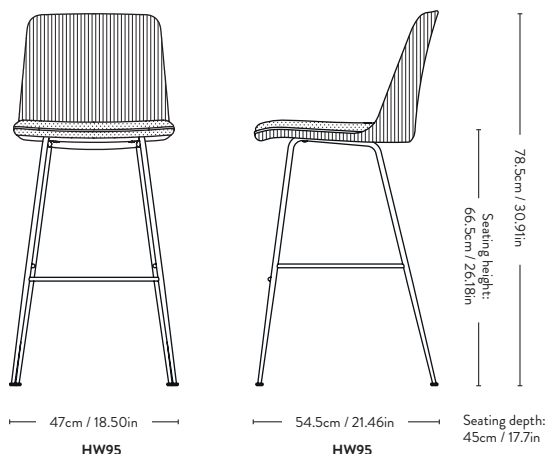
**Fabric usage:** 1.2 meters (shell), 0.7 meters (cushion) based on 140cm roll.  
**Leather usage:** 2 square meters (shell), 0.9 square meters (cushion) based on a yield of 60% pr hide.

COM must be approved by &Tradition to ensure suitability for upholstery.

**Minimum order quantity of same variant: 4 pcs.**



EU Ecolabel certified, validating high standards of durability, circular design, and responsible use of chemicals. Please contact our sales team for a list of EU Ecolabel compliant combinations.



# Rely HW96 Hee Welling 2022



| Item code | Shell Colour | Model | Base           | Colli qty. | Lead time | Weight  | PRICE EX. VAT (SEK) | PRICE INC. VAT (SEK) |
|-----------|--------------|-------|----------------|------------|-----------|---------|---------------------|----------------------|
| HW        | Black        | HW96  | Black, Bronzed | 1 pc       | 2-3 weeks | 7.40 kg | 2.980               | 3.725                |
| HW        | White        | HW96  | Black, Bronzed | 1 pc       | 2-3 weeks | 7.40 kg | 2.980               | 3.725                |
| HW        | Beige Sand   | HW96  | Black, Bronzed | 1 pc       | 2-3 weeks | 7.40 kg | 2.980               | 3.725                |
| HW        | Red Brown    | HW96  | Black, Bronzed | 1 pc       | 2-3 weeks | 7.40 kg | 2.980               | 3.725                |
| HW        | Light Blue   | HW96  | Black, Bronzed | 1 pc       | 2-3 weeks | 7.40 kg | 2.980               | 3.725                |
| HW        | Stone Grey   | HW96  | Black, Bronzed | 1 pc       | 2-3 weeks | 7.40 kg | 2.980               | 3.725                |

**Material:** Shell made from 100% recycled polypropylene with fiber glass and a steel tube base.

Wagner QuickClick Plast gliders are installed as standard.  
Wagner QuickClick Felt gliders available upon request.



EU Ecolabel certified, validating high standards of durability, circular design, and responsible use of chemicals. Please contact our sales team for a list of EU Ecolabel compliant combinations.



# Rely HW97

## Hee Welling

### 2022



| Price group  | Shell Colour  | Seat Cushion Upholstery  | Base           | Lead time | Weight  | PRICE EX. VAT (SEK) | PRICE INC. VAT (SEK) |
|--------------|---|--|----------------|-----------|---------|---------------------|----------------------|
| Fabric gr. 1 | Black, White, Beige Sand, Red Brown, Light Blue, Stone Grey | Hot Madison, Remix, Re-Wool                                      | Black, Bronzed | 3-6 weeks | 8.20 kg | 4.172               | 5.215                |
| Fabric gr. 2 | Black, White, Beige Sand, Red Brown, Light Blue, Stone Grey | Canvas, Barnum, Fiord, Ritz                                      | Black, Bronzed | 3-6 weeks | 8.20 kg | 4.532               | 5.665                |
| Fabric gr. 3 | Black, White, Beige Sand, Red Brown, Light Blue, Stone Grey | Clay, Hallingdal, Steelcut Quartet, Steelcut Black, Bronzed Trio | Black, Bronzed | 3-6 weeks | 8.20 kg | 4.652               | 5.815                |
| Fabric gr. 4 | Black, White, Beige Sand, Red Brown, Light Blue, Stone Grey | Acca, Cifrado, Ecriture, Moss, Uniform Melange, Vidar            | Black, Bronzed | 3-6 weeks | 8.20 kg | 5.008               | 6.260                |
| Fabric gr. 5 | Black, White, Beige Sand, Red Brown, Light Blue, Stone Grey | Karakorum, Sisu  | Black, Bronzed | 3-6 weeks | 8.20 kg | 5.488               | 6.860                |
| Fabric gr. 6 | Black, White, Beige Sand, Red Brown, Light Blue, Stone Grey | Fuse, Gentle   | Black, Bronzed | 3-6 weeks | 8.20 kg | 6.084               | 7.605                |
| Leather      | Black, White, Beige Sand, Red Brown, Light Blue, Stone Grey | Tailor Semi-aniline leather                                      | Black, Bronzed | 3-6 weeks | 8.20 kg | 4.652               | 5.815                |
| Leather      | Black, White, Beige Sand, Red Brown, Light Blue, Stone Grey | Noble Aniline leather  | Black, Bronzed | 3-6 weeks | 8.20 kg | 5.008               | 6.260                |
| Leather      | Black, White, Beige Sand, Red Brown, Light Blue, Stone Grey | Elmosoft Semi-aniline leather                                    | Black, Bronzed | 3-6 weeks | 8.20 kg | 5.368               | 6.710                |
| Fabric COM   | Black, White, Beige Sand, Red Brown, Light Blue, Stone Grey | COM Fabric   | Black, Bronzed | 3-6 weeks | 8.20 kg | 4.172               | 5.215                |

**Material:** Shell made from 100% recycled polypropylene with fiber glass, HR foam seat covered with fabric or leather upholstery, steel tube base.

Wagner QuickClick Plast gliders are installed as standard.  
Wagner QuickClick Felt gliders available upon request.

**Fabric usage:** 0.49 meter based on a 140 cm roll.

**Leather usage:** 1 square meter based on a yield of 60% pr hide.

COM must be approved by &Tradition to ensure suitability for upholstery.



EU Ecolabel certified, validating high standards of durability, circular design, and responsible use of chemicals. Please contact our sales team for a list of EU Ecolabel compliant combinations.



# Rely HW98

## Hee Welling

### 2022



| Price group  | Upholstery  | Model | Base           | Lead time | Weight  | PRICE EX. VAT (SEK) | PRICE INC. VAT (SEK) |
|--------------|---|-------|----------------|-----------|---------|---------------------|----------------------|
| Fabric gr. 1 | Hot Madison, Remix, Re-Wool                           | HW98  | Black, Bronzed | 3-6 weeks | 7.90 kg | 5.128               | 6.410                |
| Fabric gr. 2 | Canvas, Barnum, Fiord, Ritz                           | HW98  | Black, Bronzed | 3-6 weeks | 7.90 kg | 5.844               | 7.305                |
| Fabric gr. 3 | Clay, Hallingdal, Steelcut Quartet, Steelcut Trio     | HW98  | Black, Bronzed | 3-6 weeks | 7.90 kg | 6.084               | 7.605                |
| Fabric gr. 4 | Acca, Cifrado, Ecriture, Moss, Uniform Melange, Vidar | HW98  | Black, Bronzed | 3-6 weeks | 7.90 kg | 6.680               | 8.350                |
| Fabric gr. 5 | Karakorum, Sisu                                       | HW98  | Black, Bronzed | 3-6 weeks | 7.90 kg | 8.112               | 10.140               |
| Fabric gr. 6 | Fuse, Gentle  | HW98  | Black, Bronzed | 3-6 weeks | 7.90 kg | 8.948               | 11.185               |
| Leather      | Tailor Semi-aniline leather                           | HW98  | Black, Bronzed | 3-6 weeks | 7.90 kg | 7.040               | 8.800                |
| Leather      | Noble Aniline leather                                 | HW98  | Black, Bronzed | 3-6 weeks | 7.90 kg | 7.396               | 9.245                |
| Leather      | Elmosoft Semi-aniline leather                         | HW98  | Black, Bronzed | 3-6 weeks | 7.90 kg | 7.996               | 9.995                |
| Fabric COM   | COM Fabric  | HW98  | Black, Bronzed | 3-6 weeks | 7.90 kg | 5.128               | 6.410                |

**Material:** Shell made from 100% recycled polypropylene with fiber glass, covered with HR foam with fabric or leather upholstery, steel tube base.

Wagner QuickClick Plast gliders are installed as standard.  
Wagner QuickClick Felt gliders available upon request.

**Fabric usage:** 1.4 meters based on 140cm roll.

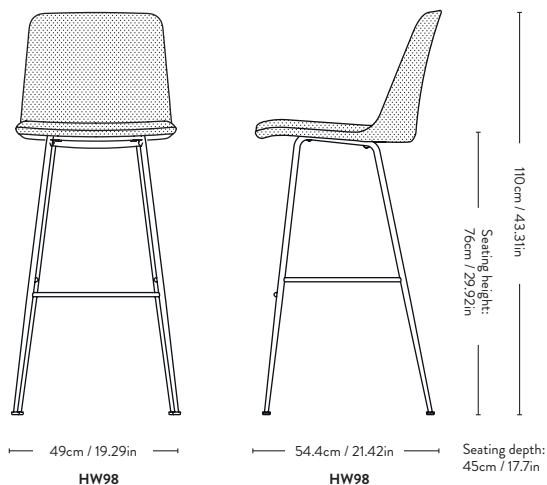
**Leather usage:** 2.2 square meters based on a yield of 60% pr hide.

COM must be approved by &Tradition to ensure suitability for upholstery.



EU Ecolabel certified, validating high standards of durability, circular design, and responsible use of chemicals. Please contact our sales team for a list of EU Ecolabel compliant combinations.

EU Ecolabel : DK/049/019



# Rely <sup>HW99</sup> Hee Welling 2022



| Price group  | Upholstery  | Model | Base           | Lead time | Weight  | PRICE EX. VAT (SEK) | PRICE INC. VAT (SEK) |
|--------------|---|-------|----------------|-----------|---------|---------------------|----------------------|
| Fabric gr. 1 | Hot Madison, Remix, Re-Wool                           | HW99  | Black, Bronzed | 3-6 weeks | 9.00 kg | 5.368               | 6.710                |
| Fabric gr. 2 | Canvas, Barnum, Fiord, Ritz                           | HW99  | Black, Bronzed | 3-6 weeks | 9.00 kg | 6.084               | 7.605                |
| Fabric gr. 3 | Clay, Hallingdal, Steelcut Quartet, Steelcut Trio     | HW99  | Black, Bronzed | 3-6 weeks | 9.00 kg | 6.324               | 7.905                |
| Fabric gr. 4 | Acca, Cifrado, Ecriture, Moss, Uniform Melange, Vidar | HW99  | Black, Bronzed | 3-6 weeks | 9.00 kg | 6.920               | 8.650                |
| Fabric gr. 5 | Karakorum, Sisu                                       | HW99  | Black, Bronzed | 3-6 weeks | 9.00 kg | 8.352               | 10.440               |
| Fabric gr. 6 | Fuse, Gentle  | HW99  | Black, Bronzed | 3-6 weeks | 9.00 kg | 9.188               | 11.485               |
| Leather      | Tailor Semi-aniline leather                           | HW99  | Black, Bronzed | 3-6 weeks | 9.00 kg | 7.276               | 9.095                |
| Leather      | Noble Aniline leather                                 | HW99  | Black, Bronzed | 3-6 weeks | 9.00 kg | 7.636               | 9.545                |
| Leather      | Elmosoft Semi-aniline leather                         | HW99  | Black, Bronzed | 3-6 weeks | 9.00 kg | 8.712               | 10.890               |
| Fabric COM   | COM Fabric  | HW99  | Black, Bronzed | 3-6 weeks | 9.00 kg | 5.368               | 6.710                |

**Material:** Shell made from 100% recycled polypropylene with fiber glass, covered with HR foam with fabric or leather upholstery, steel tube base.

Wagner QuickClick Plast gliders are installed as standard.  
Wagner QuickClick Felt gliders available upon request.

**Fabric usage:** 1.8 meters based on a 140cm roll.

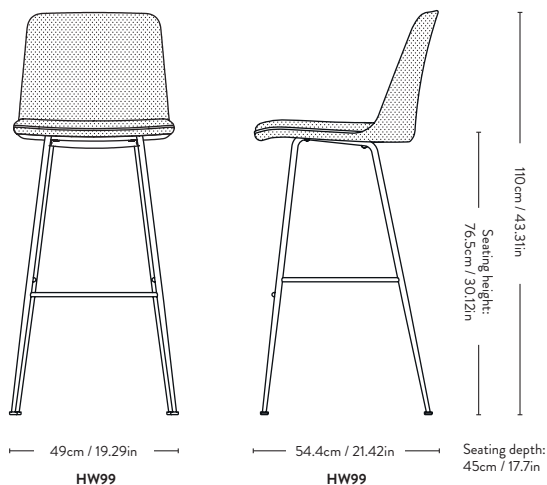
**Leather usage:** 2.7 square meters based on a yield of 60% pr hide.

COM must be approved by &Tradition to ensure suitability for upholstery.



EU Ecolabel certified, validating high standards of durability, circular design, and responsible use of chemicals. Please contact our sales team for a list of EU Ecolabel compliant combinations.

EU Ecolabel : DK/049/019



# Rely <sup>HW100</sup> Hee Welling 2022



Please note that price is accumulated price of shell & seat.

| Price group  | Shell Upholstery                                      | Base           | Lead time | Weight  | PRICE EX. VAT (SEK) | PRICE INC. VAT (SEK) |
|--------------|---|----------------|-----------|---------|---------------------|----------------------|
| Fabric gr. 1 | Hot Madison, Remix, Re-Wool                           | Black, Bronzed | 3-6 weeks | 9.00 kg | 4.180               | 5.225                |
| Fabric gr. 2 | Canvas, Barnum, Fiord, Ritz                           | Black, Bronzed | 3-6 weeks | 9.00 kg | 4.540               | 5.675                |
| Fabric gr. 3 | Clay, Hallingdal, Steelcut Quartet, Steelcut Trio     | Black, Bronzed | 3-6 weeks | 9.00 kg | 4.656               | 5.820                |
| Fabric gr. 4 | Acca, Cifrado, Ecriture, Moss, Uniform Melange, Vidar | Black, Bronzed | 3-6 weeks | 9.00 kg | 4.892               | 6.115                |
| Fabric gr. 5 | Karakorum, Sisu                                       | Black, Bronzed | 3-6 weeks | 9.00 kg | 5.852               | 7.315                |
| Fabric gr. 6 | Fuse, Gentle  | Black, Bronzed | 3-6 weeks | 9.00 kg | 6.452               | 8.065                |
| Leather      | Tailor Semi-aniline leather                           | Black, Bronzed | 3-6 weeks | 9.00 kg | 5.364               | 6.705                |
| Leather      | Noble Aniline leather                                 | Black, Bronzed | 3-6 weeks | 9.00 kg | 5.608               | 7.010                |
| Leather      | Elmosoft Semi-aniline leather                         | Black, Bronzed | 3-6 weeks | 9.00 kg | 6.212               | 7.765                |
| Fabric COM   | COM Fabric  | Black, Bronzed | 3-6 weeks | 9.00 kg | 4.180               | 5.225                |

| Price group  | Seat Upholstery                                       | Lead time | PRICE EX. VAT (SEK) | PRICE INC. VAT (SEK) |
|--------------|---|-----------|---------------------|----------------------|
| Fabric gr. 1 | Hot Madison, Remix, Re-Wool                           | 3-6 weeks | 1.196               | 1.495                |
| Fabric gr. 2 | Canvas, Barnum, Fiord, Ritz                           | 3-6 weeks | 1.556               | 1.945                |
| Fabric gr. 3 | Clay, Hallingdal, Steelcut Quartet, Steelcut Trio     | 3-6 weeks | 1.676               | 2.095                |
| Fabric gr. 4 | Acca, Cifrado, Ecriture, Moss, Uniform Melange, Vidar | 3-6 weeks | 2.032               | 2.540                |
| Fabric gr. 5 | Karakorum, Sisu                                       | 3-6 weeks | 2.512               | 3.140                |
| Fabric gr. 6 | Fuse, Gentle  | 3-6 weeks | 2.752               | 3.440                |
| Leather      | Tailor Semi-aniline leather                           | 3-6 weeks | 1.912               | 2.390                |
| Leather      | Noble Aniline leather                                 | 3-6 weeks | 2.032               | 2.540                |
| Leather      | Elmosoft Semi-aniline leather                         | 3-6 weeks | 2.512               | 3.140                |
| Fabric COM   | COM Fabric  | 3-6 weeks | 1.196               | 1.495                |

**Material:** Shell made from 100% recycled polypropylene with fiber glass, covered with HR foam with fabric or leather upholstery, steel tube base.

Wagner QuickClick Plast gliders are installed as standard.  
Wagner QuickClick Felt gliders available upon request.

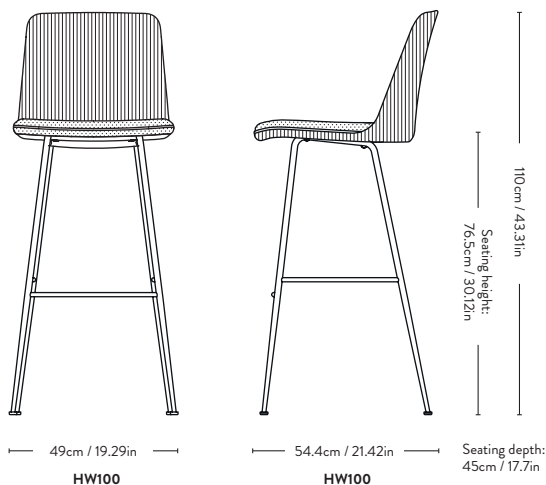
**Fabric usage:** 1.2 meters (shell), 0.7 meters (cushion) based on 140cm roll.  
**Leather usage:** 2 square meters (shell), 0.9 square meters (cushion) based on a yield of 60% pr hide.

COM must be approved by &Tradition to ensure suitability for upholstery.

**Minimum order quantity of same variant: 4 pcs.**



EU Ecolabel certified, validating high standards of durability, circular design, and responsible use of chemicals. Please contact our sales team for a list of EU Ecolabel compliant combinations.





# Rely <sup>HW101</sup> Hee Welling 2022



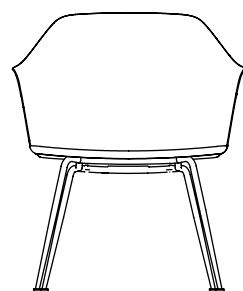
| Item code | Shell Colour | Model | Base  | Colli qty. | Lead time | Weight  | PRICE EX. VAT (SEK) | PRICE INC. VAT (SEK) |
|-----------|--------------|-------|-------|------------|-----------|---------|---------------------|----------------------|
| HW        | Black        | HW101 | Black | 1 pc       | 2-3 weeks | 6.40 kg | 2.740               | 3.425                |
| HW        | White        | HW101 | Black | 1 pc       | 2-3 weeks | 6.40 kg | 2.740               | 3.425                |
| HW        | Beige Sand   | HW101 | Black | 1 pc       | 2-3 weeks | 6.40 kg | 2.740               | 3.425                |
| HW        | Red Brown    | HW101 | Black | 1 pc       | 2-3 weeks | 6.40 kg | 2.740               | 3.425                |
| HW        | Light Blue   | HW101 | Black | 1 pc       | 2-3 weeks | 6.40 kg | 2.740               | 3.425                |
| HW        | Stone Grey   | HW101 | Black | 1 pc       | 2-3 weeks | 6.40 kg | 2.740               | 3.425                |

**Material:** Shell is made from 100% recycled polypropylene with fiber glass.

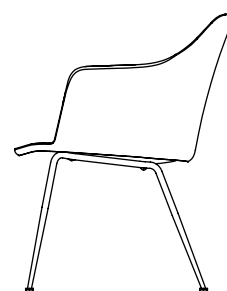
Wagner QuickClick Plast gliders are installed as standard.  
Wagner QuickClick Felt gliders available upon request.



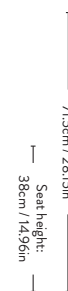
EU Ecolabel certified, validating high standards of durability, circular design, and responsible use of chemicals. Please contact our sales team for a list of EU Ecolabel compliant combinations.



59.5cm / 23.43in



59cm / 23.23in



71.5cm / 28.15in  
Seat height:  
38cm / 14.96in  
Seating depth:  
44.5cm / 17.5in

HW101

# Rely HW102

## Hee Welling

### 2022



| Price group  | Shell Colour  | Seat Cushion Upholstery                               | Base  | Lead time | Weight  | PRICE EX. VAT (SEK) | PRICE INC. VAT (SEK) |
|--------------|---|---|-------|-----------|---------|---------------------|----------------------|
| Fabric gr. 1 | Black, White, Beige Sand, Red Brown, Light Blue, Stone Grey | Hot Madison, Remix, Re-Wool                           | Black | 3-6 weeks | 7.60 kg | 3.936               | 4.920                |
| Fabric gr. 2 | Black, White, Beige Sand, Red Brown, Light Blue, Stone Grey | Canvas, Barnum, Fiord, Ritz                           | Black | 3-6 weeks | 7.60 kg | 4.412               | 5.515                |
| Fabric gr. 3 | Black, White, Beige Sand, Red Brown, Light Blue, Stone Grey | Clay, Hallingdal, Steelcut Quartet, Steelcut Trio     | Black | 3-6 weeks | 7.60 kg | 4.652               | 5.815                |
| Fabric gr. 4 | Black, White, Beige Sand, Red Brown, Light Blue, Stone Grey | Acca, Cifrado, Ecriture, Moss, Uniform Melange, Vidar | Black | 3-6 weeks | 7.60 kg | 4.888               | 6.110                |
| Fabric gr. 5 | Black, White, Beige Sand, Red Brown, Light Blue, Stone Grey | Karakorum, Sisu                                       | Black | 3-6 weeks | 7.60 kg | 5.368               | 6.710                |
| Fabric gr. 6 | Black, White, Beige Sand, Red Brown, Light Blue, Stone Grey | Fuse, Gentle  | Black | 3-6 weeks | 7.60 kg | 5.844               | 7.305                |
| Leather      | Black, White, Beige Sand, Red Brown, Light Blue, Stone Grey | Tailor Semi-aniline leather                           | Black | 3-6 weeks | 7.60 kg | 4.532               | 5.665                |
| Leather      | Black, White, Beige Sand, Red Brown, Light Blue, Stone Grey | Noble Aniline leather                                 | Black | 3-6 weeks | 7.60 kg | 4.888               | 6.110                |
| Leather      | Black, White, Beige Sand, Red Brown, Light Blue, Stone Grey | Elmosoft Semi-aniline leather                         | Black | 3-6 weeks | 7.60 kg | 5.248               | 6.560                |
| Fabric COM   | Black, White, Beige Sand, Red Brown, Light Blue, Stone Grey | COM Fabric  | Black | 3-6 weeks | 7.60 kg | 3.936               | 4.920                |

**Material:** Shell made from 100% recycled polypropylene with fiber glass, covered with HR foam with fabric or leather upholstery, steel tube base.

Wagner QuickClick Plast gliders are installed as standard.  
Wagner QuickClick Felt gliders available upon request.

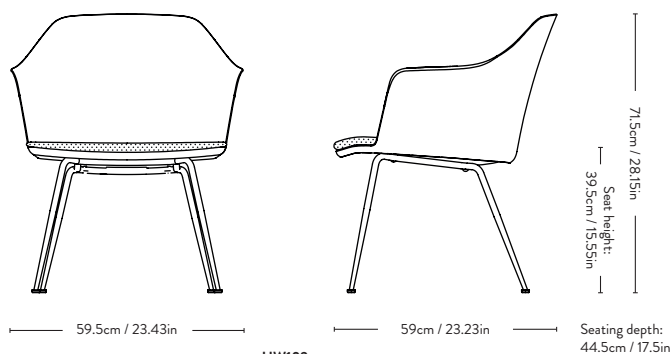
**Fabric usage:** 0.49 meters based on 140cm roll.

**Leather usage:** 1 square meter based on a yield of 60% pr hide.

COM must be approved by &Tradition to ensure suitability for upholstery.



EU Ecolabel certified, validating high standards of durability, circular design, and responsible use of chemicals. Please contact our sales team for a list of EU Ecolabel compliant combinations.



# Rely HW103 Hee Welling 2022



| Price group  | Upholstery  | Model | Base  | Lead time | Weight  | PRICE EX. VAT (SEK) | PRICE INC. VAT (SEK) |
|--------------|---|-------|-------|-----------|---------|---------------------|----------------------|
| Fabric gr. 1 | Hot Madison, Remix, Re-Wool                           | HW103 | Black | 3-6 weeks | 7.10 kg | 5.128               | 6.410                |
| Fabric gr. 2 | Canvas, Barnum, Fiord, Ritz                           | HW103 | Black | 3-6 weeks | 7.10 kg | 5.844               | 7.305                |
| Fabric gr. 3 | Clay, Hallingdal, Steelcut Quartet, Steelcut Trio     | HW103 | Black | 3-6 weeks | 7.10 kg | 6.084               | 7.605                |
| Fabric gr. 4 | Acca, Cifrado, Ecriture, Moss, Uniform Melange, Vidar | HW103 | Black | 3-6 weeks | 7.10 kg | 6.800               | 8.500                |
| Fabric gr. 5 | Karakorum, Sisu                                       | HW103 | Black | 3-6 weeks | 7.10 kg | 9.068               | 11.335               |
| Fabric gr. 6 | Fuse, Gentle  | HW103 | Black | 3-6 weeks | 7.10 kg | 10.024              | 12.530               |
| Leather      | Tailor Semi-aniline leather                           | HW103 | Black | 3-6 weeks | 7.10 kg | 7.160               | 8.950                |
| Leather      | Noble Aniline leather                                 | HW103 | Black | 3-6 weeks | 7.10 kg | 8.592               | 10.740               |
| Leather      | Elmosoft Semi-aniline leather                         | HW103 | Black | 3-6 weeks | 7.10 kg | 9.428               | 11.785               |
| Fabric COM   | COM Fabric  | HW103 | Black | 3-6 weeks | 7.10 kg | 5.128               | 6.410                |

**Material:** Shell made from 100% recycled polypropylene with fiber glass, covered with HR foam with fabric or leather upholstery, steel tube base.

Wagner QuickClick Plast gliders are installed as standard.  
Wagner QuickClick Felt gliders available upon request.

**Fabric usage:** 1.5 meters based on 140cm roll.

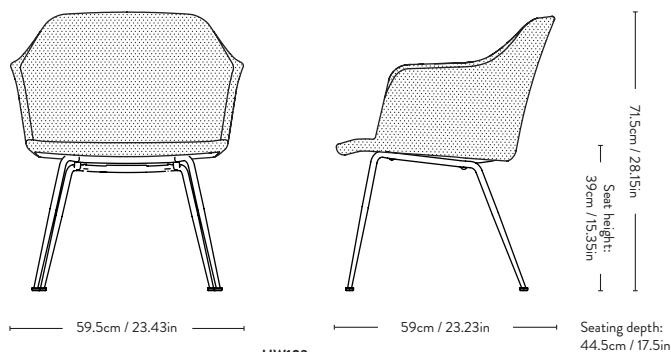
**Leather usage:** 2.7 square meters based on a yield of 60% pr hide.

COM must be approved by &Tradition to ensure suitability for upholstery.



EU Ecolabel certified, validating high standards of durability, circular design, and responsible use of chemicals. Please contact our sales team for a list of EU Ecolabel compliant combinations.

EU Ecolabel : DK/049/019



HW103

# Rely HW104

## Hee Welling

### 2022



| Price group  | Upholstery  | Model | Base  | Lead time | Weight  | PRICE EX. VAT (SEK) | PRICE INC. VAT (SEK) |
|--------------|---|-------|-------|-----------|---------|---------------------|----------------------|
| Fabric gr. 1 | Hot Madison, Remix, Re-Wool                           | HW104 | Black | 3-6 weeks | 7.40 kg | 5.488               | 6.860                |
| Fabric gr. 2 | Canvas, Barnum, Fiord, Ritz                           | HW104 | Black | 3-6 weeks | 7.40 kg | 6.204               | 7.755                |
| Fabric gr. 3 | Clay, Hallingdal, Steelcut Quartet, Steelcut Trio     | HW104 | Black | 3-6 weeks | 7.40 kg | 6.440               | 8.050                |
| Fabric gr. 4 | Acca, Cifrado, Ecriture, Moss, Uniform Melange, Vidar | HW104 | Black | 3-6 weeks | 7.40 kg | 7.160               | 8.950                |
| Fabric gr. 5 | Karakorum, Sisu                                       | HW104 | Black | 3-6 weeks | 7.40 kg | 9.428               | 11.785               |
| Fabric gr. 6 | Fuse, Gentle  | HW104 | Black | 3-6 weeks | 7.40 kg | 10.384              | 12.980               |
| Leather      | Tailor Semi-aniline leather                           | HW104 | Black | 3-6 weeks | 7.40 kg | 7.516               | 9.395                |
| Leather      | Noble Aniline leather                                 | HW104 | Black | 3-6 weeks | 7.40 kg | 8.948               | 11.185               |
| Leather      | Elmosoft Semi-aniline leather                         | HW104 | Black | 3-6 weeks | 7.40 kg | 10.024              | 12.530               |
| Fabric COM   | COM Fabric  | HW104 | Black | 3-6 weeks | 7.40 kg | 5.488               | 6.860                |

**Material:** Shell made from 100% recycled polypropylene with fiber glass, covered with HR foam with fabric or leather upholstery, steel tube base.

Wagner QuickClick Plast gliders are installed as standard.  
Wagner QuickClick Felt gliders available upon request.

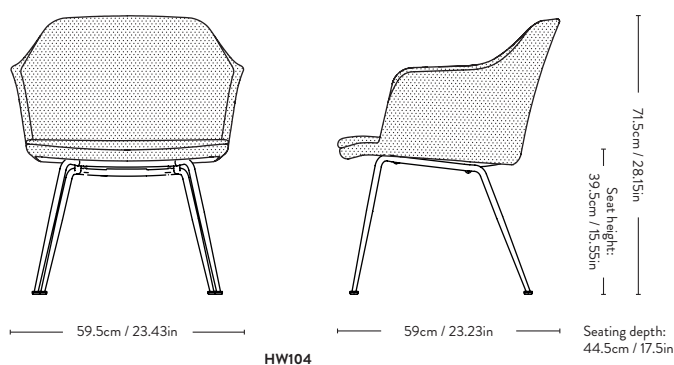
**Fabric usage:** 2.3 meters based on 140cm roll.

**Leather usage:** 3.4 square meters based on a yield of 60% pr hide.

COM must be approved by &Tradition to ensure suitability for upholstery.



EU Ecolabel certified, validating high standards of durability, circular design, and responsible use of chemicals. Please contact our sales team for a list of EU Ecolabel compliant combinations.



# Rely HW105

## Hee Welling

### 2022



Please note that price is accumulated price of shell & seat.

| Price group  | Shell Upholstery                                      | Model | Base  | Lead time | Weight  | PRICE EX. VAT (SEK) | PRICE INC. VAT (SEK) |
|--------------|---|-------|-------|-----------|---------|---------------------|----------------------|
| Fabric gr. 1 | Hot Madison, Remix, Re-Wool                           | HW105 | Black | 3-6 weeks | 7.40 kg | 4.300               | 5.375                |
| Fabric gr. 2 | Canvas, Barnum, Fiord, Ritz                           | HW105 | Black | 3-6 weeks | 7.40 kg | 4.656               | 5.820                |
| Fabric gr. 3 | Clay, Hallingdal, Steelcut Quartet, Steelcut Trio     | HW105 | Black | 3-6 weeks | 7.40 kg | 4.768               | 5.960                |
| Fabric gr. 4 | Acca, Cifrado, Ecriture, Moss, Uniform Melange, Vidar | HW105 | Black | 3-6 weeks | 7.40 kg | 5.132               | 6.415                |
| Fabric gr. 5 | Karakorum, Sisu                                       | HW105 | Black | 3-6 weeks | 7.40 kg | 6.928               | 8.660                |
| Fabric gr. 6 | Fuse, Gentle  | HW105 | Black | 3-6 weeks | 7.40 kg | 7.648               | 9.560                |
| Leather      | Tailor Semi-aniline leather                           | HW105 | Black | 3-6 weeks | 7.40 kg | 5.616               | 7.020                |
| Leather      | Noble Aniline leather                                 | HW105 | Black | 3-6 weeks | 7.40 kg | 6.928               | 8.660                |
| Leather      | Elmosoft Semi-aniline leather                         | HW105 | Black | 3-6 weeks | 7.40 kg | 7.528               | 9.410                |
| Fabric COM   | COM Fabric  | HW105 | Black | 3-6 weeks | 7.40 kg | 4.300               | 5.375                |

| Price group  | Seat Upholstery                                       | Lead time | PRICE EX. VAT (SEK) | PRICE INC. VAT (SEK) |
|--------------|---|-----------|---------------------|----------------------|
| Fabric gr. 1 | Hot Madison, Remix, Re-Wool                           | 3-6 weeks | 1.196               | 1.495                |
| Fabric gr. 2 | Canvas, Barnum, Fiord, Ritz                           | 3-6 weeks | 1.556               | 1.945                |
| Fabric gr. 3 | Clay, Hallingdal, Steelcut Quartet, Steelcut Trio     | 3-6 weeks | 1.676               | 2.095                |
| Fabric gr. 4 | Acca, Cifrado, Ecriture, Moss, Uniform Melange, Vidar | 3-6 weeks | 2.032               | 2.540                |
| Fabric gr. 5 | Karakorum, Sisu                                       | 3-6 weeks | 2.512               | 3.140                |
| Fabric gr. 6 | Fuse, Gentle  | 3-6 weeks | 2.752               | 3.440                |
| Leather      | Tailor Semi-aniline leather                           | 3-6 weeks | 1.912               | 2.390                |
| Leather      | Noble Aniline leather                                 | 3-6 weeks | 2.032               | 2.540                |
| Leather      | Elmosoft Semi-aniline leather                         | 3-6 weeks | 2.512               | 3.140                |
| Fabric COM   | COM Fabric  | 3-6 weeks | 1.196               | 1.495                |

**Material:** Shell made from 100% recycled polypropylene with fiber glass, covered with HR foam with fabric or leather upholstery, steel tube base.

Wagner QuickClick Plast gliders are installed as standard.  
Wagner QuickClick Felt gliders available upon request.

**Fabric usage:** 1.5 meters (shell), 0.8 meters (cushion) based on 140cm roll.  
**Leather usage:** 2.7 square meters (shell), 0.8 square meters (cushion) based on a yield of 60% pr hide.

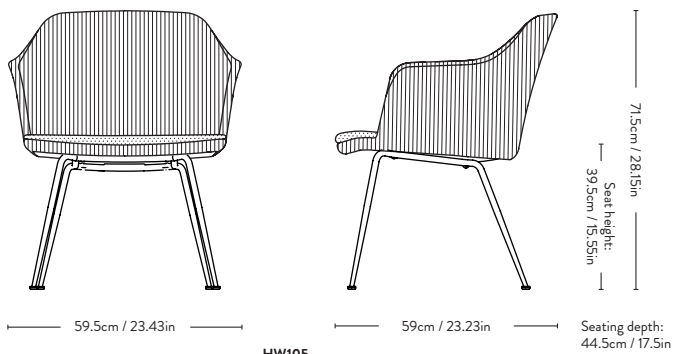
COM must be approved by &Tradition to ensure suitability for upholstery.

**Minimum order quantity of same variant: 4 pcs.**



EU Ecolabel certified, validating high standards of durability, circular design, and responsible use of chemicals. Please contact our sales team for a list of EU Ecolabel compliant combinations.

EU Ecolabel : DK/049/019



HW105

# Rely Seat Pad Hee Welling 2020



| Price group  | Upholstery  | Lead time | Weight  | PRICE EX. VAT (SEK) | PRICE INC. VAT (SEK) |
|--------------|---|-----------|---------|---------------------|----------------------|
| Fabric gr. 1 | Hot Madison, Remix, Re-Wool                           | 3-6 weeks | 0.30 kg | 888                 | 1.110                |
| Fabric gr. 2 | Canvas, Barnum, Fiord, Ritz                           | 3-6 weeks | 0.30 kg | 1.068               | 1.335                |
| Fabric gr. 3 | Clay, Hallingdal, Steelcut Quartet, Steelcut Trio     | 3-6 weeks | 0.30 kg | 1.188               | 1.485                |
| Fabric gr. 4 | Acca, Cifrado, Ecriture, Moss, Uniform Melange, Vidar | 3-6 weeks | 0.30 kg | 1.428               | 1.785                |
| Fabric gr. 5 | Karakorum, Sisu                                       | 3-6 weeks | 0.30 kg | 2.264               | 2.830                |
| Fabric gr. 6 | Fuse, Gentle  | 3-6 weeks | 0.30 kg | 2.500               | 3.125                |
| Leather      | Tailor Semi-aniline leather                           | 3-6 weeks | 0.30 kg | 1.068               | 1.335                |
| Leather      | Noble Aniline leather                                 | 3-6 weeks | 0.30 kg | 1.308               | 1.635                |
| Leather      | Elmosoft Semi-aniline leather                         | 3-6 weeks | 0.30 kg | 1.428               | 1.785                |
| Fabric COM   | COM Fabric  | 3-6 weeks | 0.30 kg | 888                 | 1.110                |

**Material:** HR foam with anti-slip backing with textile or leather upholstery.

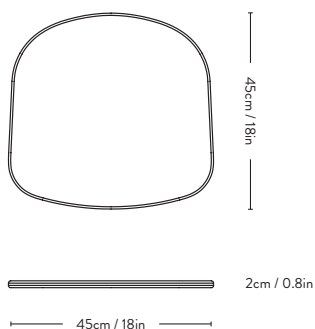
**Fabric usage:** 0.5 meter based on a 140 cm roll.

**Leather usage:** 1 square meters based on a yield of 60% pr hide.

Suitable for all Rely plastic sidechairs

COM must be approved by &Tradition to ensure suitability for upholstery.

**Minimum order quantity of same variant: 4 pcs.**



# Rely Armchair Seat Pad Hee Welling 2021



| Price group  | Upholstery  | Lead time | Weight  | PRICE EX. VAT (SEK) | PRICE INC. VAT (SEK) |
|--------------|---|-----------|---------|---------------------|----------------------|
| Fabric gr. 1 | Hot Madison, Remix, Re-Wool                           | 3-6 weeks | 0.30 kg | 888                 | 1.110                |
| Fabric gr. 2 | Canvas, Barnum, Fiord, Ritz                           | 3-6 weeks | 0.30 kg | 1.068               | 1.335                |
| Fabric gr. 3 | Clay, Hallingdal, Steelcut Quartet, Steelcut Trio     | 3-6 weeks | 0.30 kg | 1.188               | 1.485                |
| Fabric gr. 4 | Acca, Cifrado, Ecriture, Moss, Uniform Melange, Vidar | 3-6 weeks | 0.30 kg | 1.428               | 1.785                |
| Fabric gr. 5 | Karakorum, Sisu                                       | 3-6 weeks | 0.30 kg | 2.264               | 2.830                |
| Fabric gr. 6 | Fuse, Gentle  | 3-6 weeks | 0.30 kg | 2.500               | 3.125                |
| Leather      | Tailor Semi-aniline leather                           | 3-6 weeks | 0.30 kg | 1.068               | 1.335                |
| Leather      | Noble Aniline leather                                 | 3-6 weeks | 0.30 kg | 1.308               | 1.635                |
| Leather      | Elmosoft Semi-aniline leather                         | 3-6 weeks | 0.30 kg | 1.428               | 1.785                |
| Fabric COM   | COM Fabric  | 3-6 weeks | 0.30 kg | 888                 | 1.110                |

**Material:** HR foam with anti-slip backing with textile or leather upholstery.

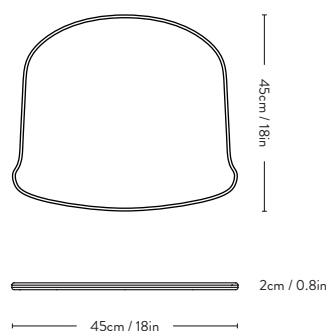
**Fabric usage:** 0.5 meter based on a 140 cm roll.

**Leather usage:** 1 square meters based on a yield of 60% pr hide.

Suitable for all Rely plastic armchairs

COM must be approved by &Tradition to ensure suitability for upholstery.

**Minimum order quantity of same variant: 4 pcs.**



# Rely Stool Seat Pad Hee Welling 2021



| Price group  | Upholstery  | Lead time | Weight  | PRICE EX. VAT (SEK) | PRICE INC. VAT (SEK) |
|--------------|---|-----------|---------|---------------------|----------------------|
| Fabric gr. 1 | Hot Madison, Remix, Re-Wool                           | 3-6 weeks | 0.30 kg | 888                 | 1.110                |
| Fabric gr. 2 | Canvas, Barnum, Fiord, Ritz                           | 3-6 weeks | 0.30 kg | 1.068               | 1.335                |
| Fabric gr. 3 | Clay, Hallingdal, Steelcut Quartet, Steelcut Trio     | 3-6 weeks | 0.30 kg | 1.188               | 1.485                |
| Fabric gr. 4 | Acca, Cifrado, Ecriture, Moss, Uniform Melange, Vidar | 3-6 weeks | 0.30 kg | 1.428               | 1.785                |
| Fabric gr. 5 | Karakorum, Sisu                                       | 3-6 weeks | 0.30 kg | 2.264               | 2.830                |
| Fabric gr. 6 | Fuse, Gentle  | 3-6 weeks | 0.30 kg | 2.500               | 3.125                |
| Leather      | Tailor Semi-aniline leather                           | 3-6 weeks | 0.30 kg | 1.068               | 1.335                |
| Leather      | Noble Aniline leather                                 | 3-6 weeks | 0.30 kg | 1.308               | 1.635                |
| Leather      | Elmosoft Semi-aniline leather                         | 3-6 weeks | 0.30 kg | 1.428               | 1.785                |
| Fabric COM   | COM Fabric  | 3-6 weeks | 0.30 kg | 888                 | 1.110                |

**Material:** HR foam with anti-slip backing with textile or leather upholstery.

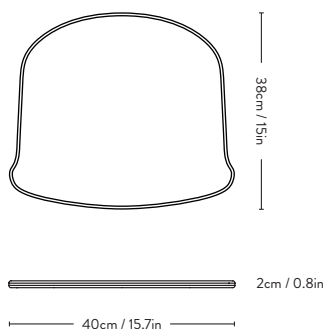
**Fabric usage:** 0.5 meter based on a 140 cm roll.

**Leather usage:** 1 square meters based on a yield of 60% pr hide.

Suitable for all Rely plastic stool

COM must be approved by &Tradition to ensure suitability for upholstery.

**Minimum order quantity of same variant: 4 pcs.**





# Betty<sup>TK1 & TK2</sup> Thau & Kallio 2019



| Item code | Product   | Webbing | Model | Colli qty. | Lead time  | Weight  | PRICE EX. VAT (SEK) | PRICE INC. VAT (SEK) |
|-----------|---|---------|-------|------------|------------|---------|---------------------|----------------------|
| 13010094  | Black   | Natural | TK1   | 2 pcs      | Stock item | 4.00 kg | 4.412               | 5.515                |
| 13010092  | Oak   | Natural | TK1   | 2 pcs      | Stock item | 4.00 kg | 4.412               | 5.515                |
| 13010093  | Smoked oak <b>NEW</b>                                     | Natural | TK1   | 2 pcs      | Stock item | 4.00 kg | 4.412               | 5.515                |
| 13011094  | Black   | Black   | TK1   | 2 pcs      | Stock item | 4.00 kg | 4.412               | 5.515                |
| 13020094  | Black   |         | TK2   | 2 pcs      | Stock item | 4.70 kg | 3.576               | 4.470                |
| 13020092  | Oak   |         | TK2   | 2 pcs      | Stock item | 4.70 kg | 3.576               | 4.470                |
| 13020093  | Smoked oak <b>NEW</b>                                     |         | TK2   | 2 pcs      | Stock item | 4.70 kg | 3.576               | 4.470                |
| 13010000  | Betty linking system<br>*must be specified with the order |         |       | 1 pc       | 6-8 weeks  | 0.40 kg | 712                 | 890                  |

**Frame      Seat**

**TK1** Wood      Natural or Black Linen and PP webbing  
**TK2** Wood      Wood

**Material:** Water based lacquered or oiled solid wood and formpressed veneer with seat in natural or black linen and PP webbing or form pressed veneer.

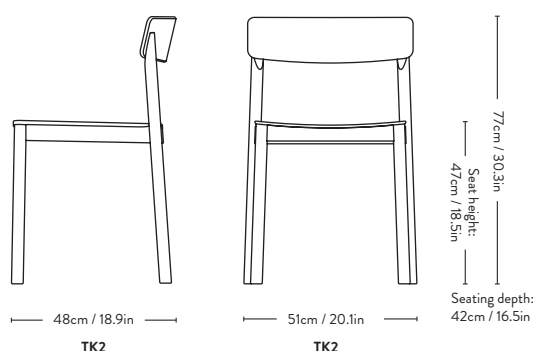
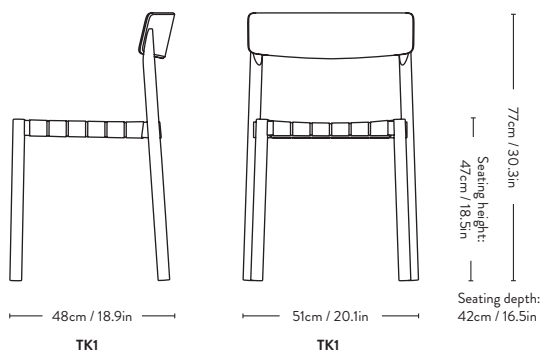
TK1, TK2 Black water based lacquered ash.  
 TK1, TK2 Water based lacquered oak and Smoked oiled oak.

Wagner QuickClick Plast gliders are installed as standard.  
 Wagner QuickClick Felt gliders available upon request.

Stackable chair: 8 pcs



TK2: EU Ecolabel certified, validating high standards of durability, circular design, and responsible use of chemicals. Please contact our sales team for a list of EU Ecolabel compliant combinations.



# Betty TK3

## Thau & Kallio

### 2019



| Item code | Product                      | Model | Frame                 | Colli qty. | Lead time  | Weight  | PRICE EX. VAT (SEK) | PRICE INC. VAT (SEK) |
|-----------|------------------------------|-------|-----------------------|------------|------------|---------|---------------------|----------------------|
| 13039520  | Noble Aniline leather Black  | TK3   | Black                 | 2 pcs      | Stock item | 5.60 kg | 5.368               | 6.710                |
| 13039525  | Noble Aniline leather Cognac | TK3   | Oak                   | 2 pcs      | Stock item | 5.60 kg | 5.368               | 6.710                |
| 13039521  | Noble Aniline leather Black  | TK3   | Smoked Oak <b>NEW</b> | 2 pcs      | Stock item | 5.60 kg | 5.368               | 6.710                |

| Price group  | Upholstery  | Model | Frame                 | Lead time | Weight  | PRICE EX. VAT (SEK) | PRICE INC. VAT (SEK) |
|--------------|---|-------|-----------------------|-----------|---------|---------------------|----------------------|
| Fabric gr. 1 | Hot Madison, Remix, Re-Wool                               | TK3   | Black, Oak,           | 6-8 weeks | 5.60 kg | 4.772               | 5.965                |
|              |   | TK3   | Smoked Oak <b>NEW</b> | 6-8 weeks | 5.60 kg |                     |                      |
| Fabric gr. 2 | Canvas, Barnum, Fiord, Ritz                               | TK3   | Black, Oak,           | 6-8 weeks | 5.60 kg | 5.008               | 6.260                |
|              |   | TK3   | Smoked Oak <b>NEW</b> | 6-8 weeks | 5.60 kg |                     |                      |
| Fabric gr. 3 | Clay, Hallingdal, Steelcut Quartet, Steelcut Trio         | TK3   | Black, Oak,           | 6-8 weeks | 5.60 kg | 5.128               | 6.410                |
|              |   | TK3   | Smoked Oak <b>NEW</b> | 6-8 weeks | 5.60 kg |                     |                      |
| Fabric gr. 4 | Acca, Cifrado, Ecriture, Moss, Uniform Melange, Vidar     | TK3   | Black, Oak,           | 6-8 weeks | 5.60 kg | 5.248               | 6.560                |
|              |   | TK3   | Smoked Oak <b>NEW</b> | 6-8 weeks | 5.60 kg |                     |                      |
| Fabric gr. 5 | Karakorum, Sisu   | TK3   | Black, Oak,           | 6-8 weeks | 5.60 kg | 5.604               | 7.005                |
|              |   | TK3   | Smoked Oak <b>NEW</b> | 6-8 weeks | 5.60 kg |                     |                      |
| Fabric gr. 6 | Fuse, Gentle  | TK3   | Black, Oak,           | 6-8 weeks | 5.60 kg | 6.204               | 7.755                |
|              |   | TK3   | Smoked Oak <b>NEW</b> | 6-8 weeks | 5.60 kg |                     |                      |
| Leather      | Tailor Semi-aniline leather                               | TK3   | Black, Oak,           | 6-8 weeks | 5.60 kg | 4.888               | 6.110                |
|              |   | TK3   | Smoked Oak <b>NEW</b> | 6-8 weeks | 5.60 kg |                     |                      |
| Leather      | Noble Aniline leather                                     | TK3   | Black, Oak,           | 6-8 weeks | 5.60 kg | 5.368               | 6.710                |
|              |   | TK3   | Smoked Oak <b>NEW</b> | 6-8 weeks | 5.60 kg |                     |                      |
| Leather      | Elmosoft Semi-aniline leather                             | TK3   | Black, Oak,           | 6-8 weeks | 5.60 kg | 5.724               | 7.155                |
|              |   | TK3   | Smoked Oak <b>NEW</b> | 6-8 weeks | 5.60 kg |                     |                      |
| Fabric COM   | COM Fabric  | TK3   | Black, Oak,           | 6-8 weeks | 5.60 kg | 4.772               | 5.965                |
|              |   | TK3   | Smoked Oak <b>NEW</b> | 6-8 weeks | 5.60 kg |                     |                      |
| 13010000     | Betty linking system<br>*must be specified with the order |       |                       | 6-8 weeks | 0.40 kg | 712                 | 890                  |

#### Frame Seat

TK3 Wood Upholstered

**Material:** Water based lacquered or oiled solid wood and formpressed veneer with upholstered HR foam seat.

TK3 Black water based lacquered ash.

TK3 Water based lacquered oak and Smoked oiled oak.

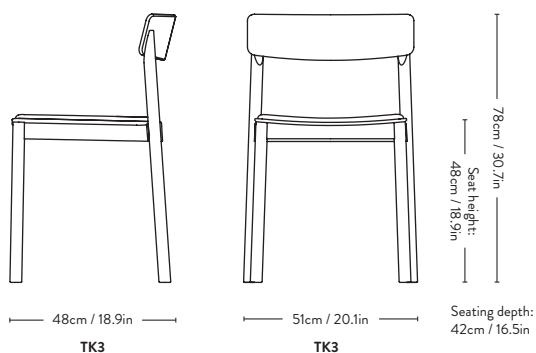
**Fabric usage:** 0.36 meter based on a 140 cm roll.

**Leather usage:** 0.36 square meters based on a yield of 60% pr hide.

COM must be approved by &Tradition to ensure suitability for upholstery.

Wagner QuickClick Plast gliders are installed as standard.

Wagner QuickClick Felt gliders available upon request.

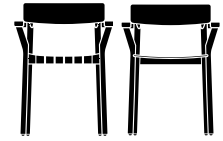


EU Ecolabel certified, validating high standards of durability, circular design, and responsible use of chemicals. Please contact our sales team for a list of EU Ecolabel compliant combinations.

EU Ecolabel - DK/049/002

NEW

# Betty<sup>TK9 & TK10</sup> Thau & Kallio 2024



| Item code | Product    | Webbing | Model | Colli qty. | Lead time  | Weight  | PRICE EX. VAT (SEK) | PRICE INC. VAT (SEK) |
|-----------|------------|---------|-------|------------|------------|---------|---------------------|----------------------|
| 13090001  | Oak        | Natural | TK9   | 2 pcs      | Stock item | 5.00 kg | 6.560               | 8.200                |
| 13090002  | Black      | Natural | TK9   | 2 pcs      | Stock item | 5.00 kg | 6.560               | 8.200                |
| 13090003  | Smoked Oak | Natural | TK9   | 2 pcs      | Stock item | 5.00 kg | 6.560               | 8.200                |
| 13090004  | Black      | Black   | TK9   | 2 pcs      | Stock item | 5.00 kg | 6.560               | 8.200                |
| 13100001  | Oak        |         | TK10  | 2 pcs      | Stock item | 5.00 kg | 5.724               | 7.155                |
| 13100002  | Black      |         | TK10  | 2 pcs      | Stock item | 5.00 kg | 5.724               | 7.155                |
| 13100003  | Smoked Oak |         | TK10  | 2 pcs      | Stock item | 5.00 kg | 5.724               | 7.155                |

**Frame      Seat**

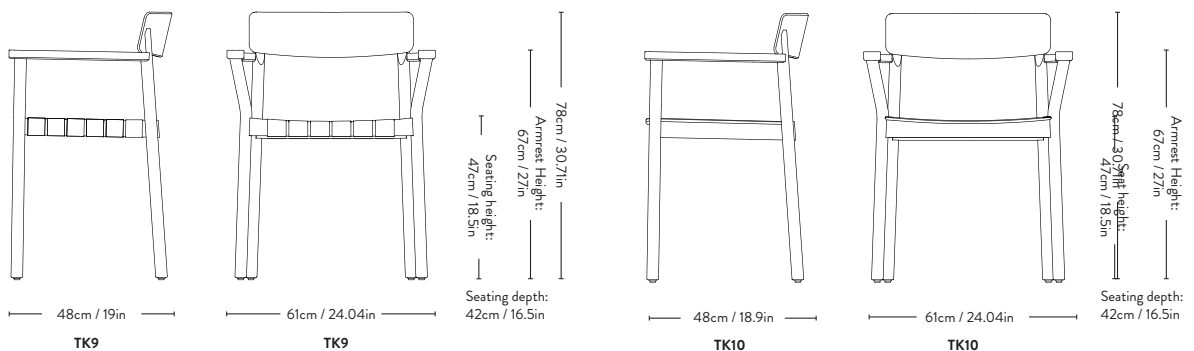
**TK9** Wood      Natural or Black Linen and PP webbing  
**TK10** Wood      Wood

**Material:** Water based lacquered or oiled solid wood and formpressed veneer with seat in natural or black linen and PP webbing or form pressed veneer.

TK9, TK10 Black water based lacquered ash.  
 TK9, TK10 Water based lacquered oak and Smoked oiled oak.

Wagner QuickClick Plast gliders are installed as standard.  
 Wagner QuickClick Felt gliders available upon request.

Stackable chair: 8 pcs



NEW

# Betty<sup>TK11</sup> Thau & Kallio 2024



| Item code | Product                      | Model | Frame      | Colli qty. | Lead time  | Weight  | PRICE EX. VAT (SEK) | PRICE INC. VAT (SEK) |
|-----------|------------------------------|-------|------------|------------|------------|---------|---------------------|----------------------|
| 13110016  | Noble Aniline leather Cognac | TK11  | Oak        | 2 pcs      | Stock item | 5.60 kg | 7.516               | 9.395                |
| 13110017  | Noble Aniline leather Black  | TK11  | Black      | 2 pcs      | Stock item | 5.60 kg | 7.516               | 9.395                |
| 13110033  | Noble Aniline leather Black  | TK11  | Smoked oak | 2 pcs      | Stock item | 5.60 kg | 7.516               | 9.395                |

| Price group  | Upholstery  | Model | Frame                  | Lead time | Weight  | PRICE EX. VAT (SEK) | PRICE INC. VAT (SEK) |
|--------------|---|-------|------------------------|-----------|---------|---------------------|----------------------|
| Fabric gr. 1 | Hot Madison, Remix, Re-Wool                           | TK11  | Black, Oak, Smoked oak | 6-8 weeks | 5.60 kg | 6.920               | 8.650                |
| Fabric gr. 2 | Canvas, Barnum, Fiord, Ritz                           | TK11  | Black, Oak, Smoked oak | 6-8 weeks | 5.60 kg | 7.160               | 8.950                |
| Fabric gr. 3 | Clay, Hallingdal, Steelcut Quartet, Steelcut Trio     | TK11  | Black, Oak, Smoked oak | 6-8 weeks | 5.60 kg | 7.276               | 9.095                |
| Fabric gr. 4 | Acca, Cifrado, Ecriture, Moss, Uniform Melange, Vidar | TK11  | Black, Oak, Smoked oak | 6-8 weeks | 5.60 kg | 7.396               | 9.245                |
| Fabric gr. 5 | Karakorum, Sisu                                       | TK11  | Black, Oak, Smoked oak | 6-8 weeks | 5.60 kg | 7.756               | 9.695                |
| Fabric gr. 6 | Fuse, Gentle  | TK11  | Black, Oak, Smoked oak | 6-8 weeks | 5.60 kg | 8.352               | 10.440               |
| Leather      | Tailor Semi-aniline leather                           | TK11  | Black, Oak, Smoked oak | 6-8 weeks | 5.60 kg | 7.040               | 8.800                |
| Leather      | Noble Aniline leather                                 | TK11  | Black, Oak, Smoked oak | 6-8 weeks | 5.60 kg | 7.516               | 9.395                |
| Leather      | Elmosoft Semi-aniline leather                         | TK11  | Black, Oak, Smoked oak | 6-8 weeks | 5.60 kg | 7.876               | 9.845                |
| Fabric COM   | COM Fabric  | TK11  | Black, Oak, Smoked oak | 6-8 weeks | 5.60 kg | 6.920               | 8.650                |

**Frame      Seat**

TK11 Wood      Upholstered

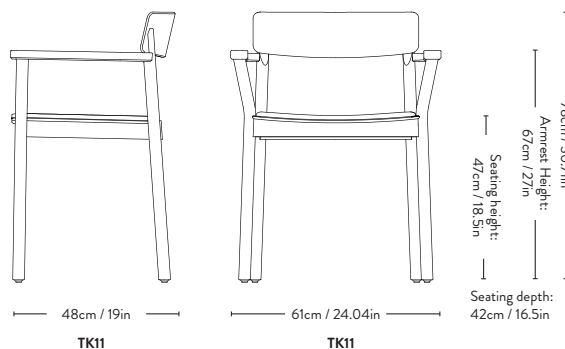
**Material:** Water based lacquered or oiled solid wood and formpressed veneer with upholstered HR foam seat.

TK11 Black water based lacquered ash.  
TK11 Water based lacquered oak and Smoked oiled oak.

**Fabric usage:** 0.36 meter based on a 140 cm roll.  
**Leather usage:** 0.36 square meters based on a yield of 60% pr hide.

COM must be approved by &Tradition to ensure suitability for upholstery.

Wagner QuickClick Plast gliders are installed as standard.  
Wagner QuickClick Felt gliders available upon request.



# Betty <sup>TK4 & TK5</sup> Thau & Kallio 2019



| Item code | Product               | Webbing | Model | Colli qty. | Lead time  | Weight  | PRICE EX. VAT (SEK) | PRICE INC. VAT (SEK) |
|-----------|-----------------------|---------|-------|------------|------------|---------|---------------------|----------------------|
| 13040094  | Black                 | Natural | TK4   | 1 pc       | Stock item | 5.80 kg | 6.560               | 8.200                |
| 13041094  | Black                 | Black   | TK4   | 1 pc       | Stock item | 5.80 kg | 6.560               | 8.200                |
| 13040092  | Oak                   | Natural | TK4   | 1 pc       | Stock item | 5.80 kg | 6.560               | 8.200                |
| 13040093  | Smoked Oak <b>NEW</b> | Natural | TK4   | 1 pc       | Stock item | 5.80 kg | 6.560               | 8.200                |
| 13050094  | Black                 | Natural | TK5   | 1 pc       | Stock item | 7.40 kg | 7.756               | 9.695                |
| 13051094  | Black                 | Black   | TK5   | 1 pc       | Stock item | 7.40 kg | 7.756               | 9.695                |
| 13050092  | Oak                   | Natural | TK5   | 1 pc       | Stock item | 7.40 kg | 7.756               | 9.695                |
| 13050093  | Smoked oak <b>NEW</b> | Natural | TK5   | 1 pc       | Stock item | 7.40 kg | 7.756               | 9.695                |

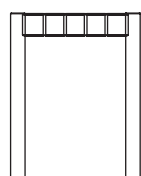
**Frame      Seat**

**TK4 Wood**    Natural or Black Linen and PP webbing  
**TK5 Wood**    Natural or Black Linen and PP webbing

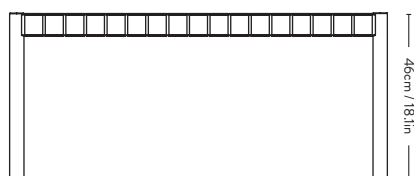
**Material:** Water based lacquered or oiled solid wood and formpressed veneer with seat in natural linen and PP webbing.

TK4, TK5 Black water based lacquered ash.  
 TK4, TK5 Water based lacquered oak and Smoked oiled oak.

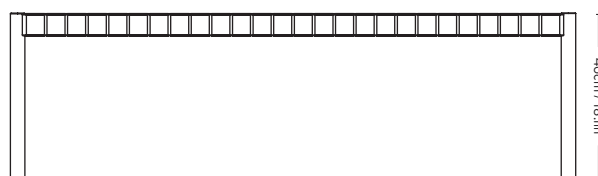
Felt gliders installed as standard.



36cm / 14.2in  
TK4 & TK5



105cm / 41.3in  
TK4



157cm / 61.8in  
TK5

# Betty<sup>TK7 & TK8</sup> Thau & Kallio 2021



| Item code | Product                    | Webbing | Model | Colli qty. | Lead time  | Weight  | PRICE EX. VAT (SEK) | PRICE INC. VAT (SEK) |
|-----------|----------------------------|---------|-------|------------|------------|---------|---------------------|----------------------|
| 13070094  | Black                      | Natural | TK7   | 1 pc       | Stock item | 3.50 kg | 4.532               | 5.665                |
| 13071094  | Black                      | Black   | TK7   | 1 pc       | Stock item | 3.50 kg | 4.532               | 5.665                |
| 13070092  | Oak                        | Natural | TK7   | 1 pc       | Stock item | 3.50 kg | 4.532               | 5.665                |
| 13070093  | Smoked oak <b>NEW</b>      | Natural | TK7   | 1 pc       | Stock item | 3.50 kg | 4.532               | 5.665                |
| 13071199  | TK7 w. Footrest Protector* |         | TK7   | 1 pc       | 6-8 weeks  | 3.60 kg | 4.884               | 6.105                |
| 13080094  | Black                      | Natural | TK8   | 1 pc       | Stock item | 3.50 kg | 4.532               | 5.665                |
| 13081094  | Black                      | Black   | TK8   | 1 pc       | Stock item | 3.50 kg | 4.532               | 5.665                |
| 13080092  | Oak                        | Natural | TK8   | 1 pc       | Stock item | 3.50 kg | 4.532               | 5.665                |
| 13080093  | Smoked oak <b>NEW</b>      | Natural | TK8   | 1 pc       | Stock item | 3.50 kg | 4.532               | 5.665                |
| 13081199  | TK8 w. Footrest Protector* |         | TK8   | 1 pc       | 6-8 weeks  | 3.60 kg | 4.884               | 6.105                |
| 13010005  | Footrest protector         |         |       | 1 pc       | Stock item | 0.10 kg | 352                 | 440                  |

**Frame      Seat**

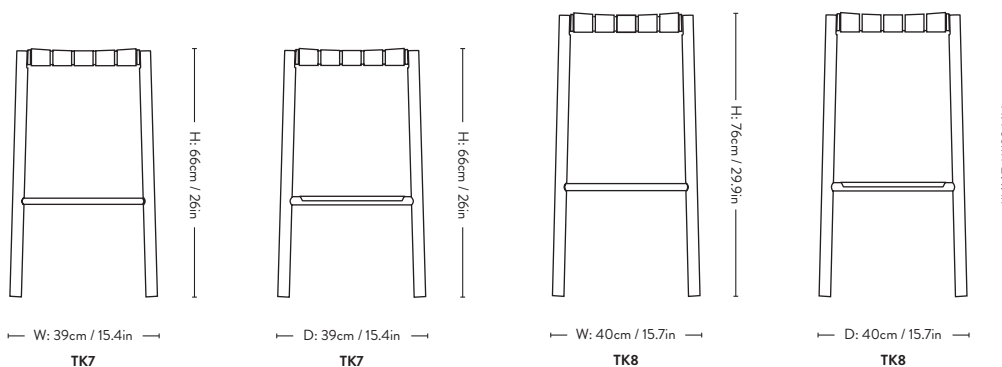
**TK7** Wood      Natural or Black Linen and PP webbing  
**TK8** Wood      Natural or Black Linen and PP webbing

**Material:** Water based lacquered or oiled solid wood with seat in natural linen and PP webbing.  
 The footrest protector is from steel.

TK7, TK8 Water based Black lacquered ash.  
 TK7, TK8 Water based lacquered oak and Smoked oiled oak.

Felt gliders installed as standard.  
 Plastic gliders are available upon request

\*Please specify stool colour with the order  
 (Black, Black/Black, Oak, Smoked Oak).



NEW

# Allwood AV35

## Anderssen & Voll

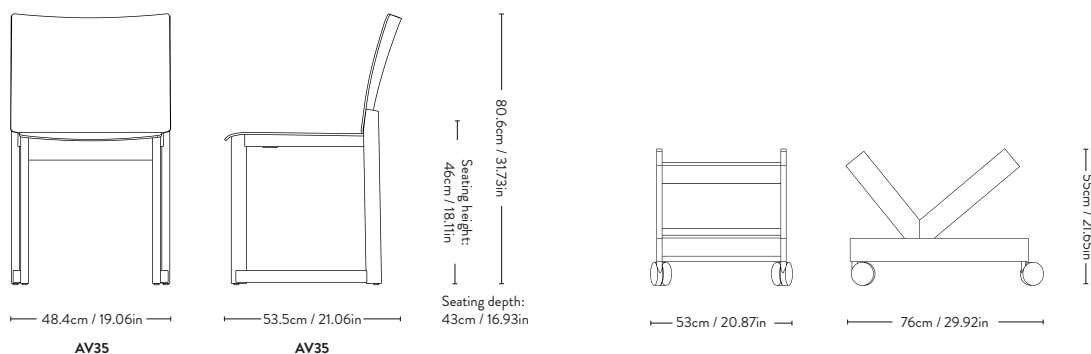
### 2024



| Item code | Product                  | Model | Finish | Colli qty. | Lead time  | Weight  | PRICE EX. VAT (SEK) | PRICE INC. VAT (SEK) |
|-----------|--------------------------|-------|--------|------------|------------|---------|---------------------|----------------------|
| 91101002  | Allwood Chair            | AV35  | Oak    | 2 pcs      | Stock item | 4.80 kg | 5.144               | 6.430                |
| 91101008  | Allwood Stacking trolley | AV35  | Oak    | 1 pc       | Stock item | 9.30 kg | 5.964               | 7.455                |

**Material:** Water based lacquered Solid oak & oak veneer

Stacking quantity: 12 pcs



# Boomerang<sup>HM1</sup> Hvidt & Mølgaard 1956



| Item no. | Upholstery    | Base            | Finish       | Model | Lead time  | Weight  | PRICE EX. VAT (SEK) | PRICE INC. VAT (SEK) |
|----------|---------------|-----------------|--------------|-------|------------|---------|---------------------|----------------------|
| 14019205 | Karakorum 003 | Brass           | Oiled Oak    | HM1   | Stock item | 8.50 kg | 26.264              | 32.830               |
| 14019605 |               | Brass           | Oiled Walnut |       |            |         | 28.652              | 35.815               |
| 14019405 |               | Stainless Steel | Oiled Oak    |       |            |         | 26.264              | 32.830               |
| 14019705 |               | Stainless Steel | Oiled Walnut |       |            |         | 28.652              | 35.815               |

|                     | Upholstery  | Base            | Finish       | Model | Lead time | Weight  | PRICE EX. VAT (SEK) | PRICE INC. VAT (SEK) |
|---------------------|---|-----------------|--------------|-------|-----------|---------|---------------------|----------------------|
| <b>Fabric gr. 1</b> | Hot Madison, Remix, Re-Wool                           | Brass           | Oiled Oak    | HM1   | 6-8 weeks | 8.50 kg | 26.264              | 32.830               |
|                     |   | Brass           | Oiled Walnut |       |           |         | 28.652              | 35.815               |
|                     |   | Stainless Steel | Oiled Oak    |       |           |         | 26.264              | 32.830               |
|                     |   | Stainless Steel | Oiled Walnut |       |           |         | 28.652              | 35.815               |
| <b>Fabric gr. 2</b> | Canvas, Barnum, Fiord, Ritz                           | Brass           | Oiled Oak    | HM1   | 6-8 weeks | 8.50 kg | 27.456              | 34.320               |
|                     |   | Brass           | Oiled Walnut |       |           |         | 29.844              | 37.305               |
|                     |   | Stainless Steel | Oiled Oak    |       |           |         | 27.456              | 34.320               |
|                     |   | Stainless Steel | Oiled Walnut |       |           |         | 29.844              | 37.305               |
| <b>Fabric gr. 3</b> | Clay, Hallingdal, Steelcut Quartet, Steelcut Trio     | Brass           | Oiled Oak    | HM1   | 6-8 weeks | 8.50 kg | 28.052              | 35.065               |
|                     |   | Brass           | Oiled Walnut |       |           |         | 30.440              | 38.050               |
|                     |   | Stainless Steel | Oiled Oak    |       |           |         | 28.052              | 35.065               |
|                     |   | Stainless Steel | Oiled Walnut |       |           |         | 30.440              | 38.050               |
| <b>Fabric gr. 4</b> | Acca, Cifrado, Ecriture, Moss, Uniform Melange, Vidar | Brass           | Oiled Oak    | HM1   | 6-8 weeks | 8.50 kg | 28.652              | 35.815               |
|                     |   | Brass           | Oiled Walnut |       |           |         | 31.040              | 38.800               |
|                     |   | Stainless Steel | Oiled Oak    |       |           |         | 28.652              | 35.815               |
|                     |   | Stainless Steel | Oiled Walnut |       |           |         | 31.040              | 38.800               |
| <b>Fabric gr. 5</b> | Karakorum, Sisu                                       | Brass           | Oiled Oak    | HM1   | 6-8 weeks | 8.50 kg | 29.844              | 37.305               |
|                     |   | Brass           | Oiled Walnut |       |           |         | 32.232              | 40.290               |
|                     |   | Stainless Steel | Oiled Oak    |       |           |         | 29.844              | 37.305               |
|                     |   | Stainless Steel | Oiled Walnut |       |           |         | 32.232              | 40.290               |
| <b>Fabric gr. 6</b> | Fuse, Gentle  | Brass           | Oiled Oak    | HM1   | 6-8 weeks | 8.50 kg | 33.428              | 41.785               |
|                     |   | Brass           | Oiled Walnut |       |           |         | 35.816              | 44.770               |
|                     |   | Stainless Steel | Oiled Oak    |       |           |         | 33.428              | 41.785               |
|                     |   | Stainless Steel | Oiled Walnut |       |           |         | 35.816              | 44.770               |
| <b>Fabric COM</b>   | COM Fabric  | Brass           | Oiled Oak    | HM1   | 6-8 weeks | 8.50 kg | 26.264              | 32.830               |
|                     |   | Brass           | Oiled Walnut |       |           |         | 28.652              | 35.815               |
|                     |   | Stainless Steel | Oiled Oak    |       |           |         | 26.264              | 32.830               |
|                     |   | Stainless Steel | Oiled Walnut |       |           |         | 28.652              | 35.815               |

| Frame | Finish                  |
|-------|-------------------------|
| Wood  | Oiled Oak, Oiled Walnut |
| Metal | Brass, Stainless Steel  |

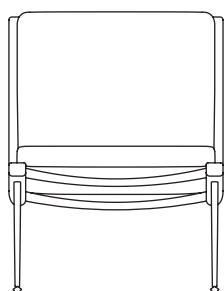
**Material:** Wood, HR foam, polyester wadding, fabric upholstery, brass, and stainless steel.

**Fabric usage:** 2 meters based on a 140cm roll.

COM must be approved by &Tradition to ensure suitability for upholstery.

HM1 is not available in leather.

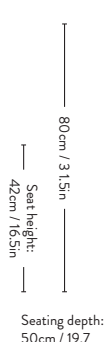
Plastic gliders are installed as standard.



61cm / 24in  
HM1

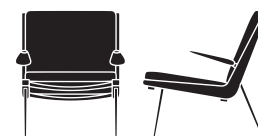


79cm / 31in  
HM1





# Boomerang<sup>HM2</sup> Hvidt & Mølgaard 1956



| Item no. | Upholstery    | Base            | Finish       | Model | Lead time  | Weight  | PRICE EX. VAT (SEK) | PRICE INC. VAT (SEK) |
|----------|---------------|-----------------|--------------|-------|------------|---------|---------------------|----------------------|
| 14029205 | Karakorum 003 | Brass           | Oiled Oak    | HM2   | Stock item | 8.50 kg | 28.652              | 35.815               |
| 14029605 |               | Brass           | Oiled Walnut |       |            |         | 32.236              | 40.295               |
| 14029405 |               | Stainless Steel | Oiled Oak    |       |            |         | 28.652              | 35.815               |
| 14029705 |               | Stainless Steel | Oiled Walnut |       |            |         | 32.236              | 40.295               |

|                     | Upholstery  | Base            | Finish       | Model | Lead time | Weight  | PRICE EX. VAT (SEK) | PRICE INC. VAT (SEK) |
|---------------------|---|-----------------|--------------|-------|-----------|---------|---------------------|----------------------|
| <b>Fabric gr. 1</b> | Hot Madison, Remix, Re-Wool                           | Brass           | Oiled Oak    | HM2   | 6-8 weeks | 8.50 kg | 28.652              | 35.815               |
|                     |   | Brass           | Oiled Walnut |       |           |         | 32.236              | 40.295               |
|                     |   | Stainless Steel | Oiled Oak    |       |           |         | 28.652              | 35.815               |
|                     |   | Stainless Steel | Oiled Walnut |       |           |         | 32.236              | 40.295               |
| <b>Fabric gr. 2</b> | Canvas, Barnum, Fiord, Ritz                           | Brass           | Oiled Oak    | HM2   | 6-8 weeks | 8.50 kg | 29.844              | 37.305               |
|                     |   | Brass           | Oiled Walnut |       |           |         | 33.428              | 41.785               |
|                     |   | Stainless Steel | Oiled Oak    |       |           |         | 29.844              | 37.305               |
|                     |   | Stainless Steel | Oiled Walnut |       |           |         | 33.428              | 41.785               |
| <b>Fabric gr. 3</b> | Clay, Hallingdal, Steelcut Quartet, Steelcut Trio     | Brass           | Oiled Oak    | HM2   | 6-8 weeks | 8.50 kg | 30.440              | 38.050               |
|                     |   | Brass           | Oiled Walnut |       |           |         | 34.024              | 42.530               |
|                     |   | Stainless Steel | Oiled Oak    |       |           |         | 30.440              | 38.050               |
|                     |   | Stainless Steel | Oiled Walnut |       |           |         | 34.024              | 42.530               |
| <b>Fabric gr. 4</b> | Acca, Cifrado, Ecriture, Moss, Uniform Melange, Vidar | Brass           | Oiled Oak    | HM2   | 6-8 weeks | 8.50 kg | 31.040              | 38.800               |
|                     |   | Brass           | Oiled Walnut |       |           |         | 34.624              | 43.280               |
|                     |   | Stainless Steel | Oiled Oak    |       |           |         | 31.040              | 38.800               |
|                     |   | Stainless Steel | Oiled Walnut |       |           |         | 34.624              | 43.280               |
| <b>Fabric gr. 5</b> | Karakorum, Sisu                                       | Brass           | Oiled Oak    | HM2   | 6-8 weeks | 8.50 kg | 32.232              | 40.290               |
|                     |   | Brass           | Oiled Walnut |       |           |         | 35.816              | 44.770               |
|                     |   | Stainless Steel | Oiled Oak    |       |           |         | 32.232              | 40.290               |
|                     |   | Stainless Steel | Oiled Walnut |       |           |         | 35.816              | 44.770               |
| <b>Fabric gr. 6</b> | Fuse, Gentle  | Brass           | Oiled Oak    | HM2   | 6-8 weeks | 8.50 kg | 35.816              | 44.770               |
|                     |   | Brass           | Oiled Walnut |       |           |         | 39.400              | 49.250               |
|                     |   | Stainless Steel | Oiled Oak    |       |           |         | 35.816              | 44.770               |
|                     |   | Stainless Steel | Oiled Walnut |       |           |         | 39.400              | 49.250               |
| <b>Fabric COM</b>   | COM Fabric  | Brass           | Oiled Oak    | HM2   | 6-8 weeks | 8.50 kg | 28.652              | 35.815               |
|                     |   | Brass           | Oiled Walnut |       |           |         | 32.236              | 40.295               |
|                     |   | Stainless Steel | Oiled Oak    |       |           |         | 28.652              | 35.815               |
|                     |   | Stainless Steel | Oiled Walnut |       |           |         | 32.236              | 40.295               |

| Frame | Finish                  |
|-------|-------------------------|
| Wood  | Oiled Oak, Oiled Walnut |
| Metal | Brass, Stainless Steel  |

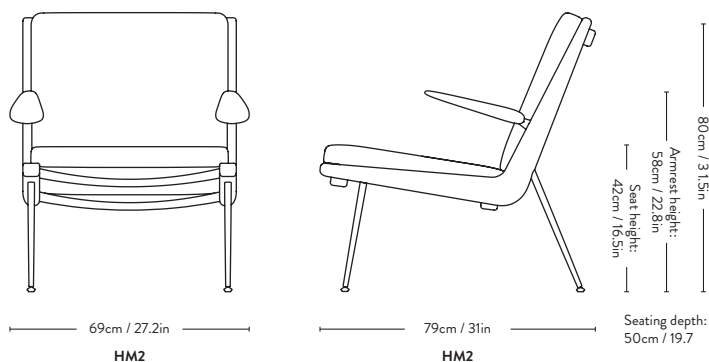
**Material:** Wood, HR foam, polyester wadding, fabric upholstery, brass, and stainless steel.

**Fabric usage:** 2 meters based on a 140cm roll.

COM must be approved by &Tradition to ensure suitability for upholstery.

HM2 is not available in leather.

Plastic gliders are installed as standard.

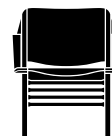


NEW

AX<sup>HM11</sup>



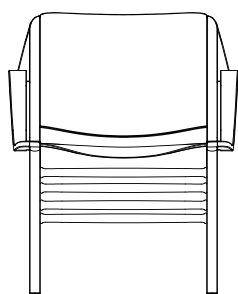
# Hvidt & Mølgaard 1950



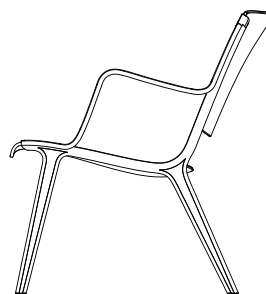
| Item code | Product          | Model | Colli qty. | Lead time  | Weight  | PRICE EX. VAT (SEK) | PRICE INC. VAT (SEK) |
|-----------|------------------|-------|------------|------------|---------|---------------------|----------------------|
| 15100096  | Oak and Walnut   | HM11  | 1 pc       | Stock item | 6.20 kg | 11.936              | 14.920               |
| 15100097  | Dark Stained Oak | HM11  | 1 pc       | Stock item | 6.20 kg | 11.936              | 14.920               |

**Material:** Water based lacquered oak veneer, walnut veneer, and solid walnut inserts

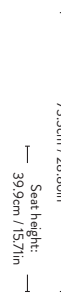
Plastic gliders are installed as standard, and interchangeable felt gliders are available upon request.



62.2cm / 24.49in



71.1cm / 27.99in

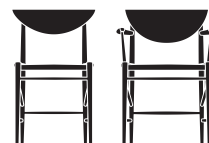


73.3cm / 28.86in  
Seat height:  
39.9cm / 15.71in

Seating depth:  
53.2cm / 20.94in

HM11

# Drawn<sup>HM3 & HM4</sup> Hvidt & Mølgaard 1956



| Item code | Upholstery                        | Model | Colli qty. | Lead time  | Weight  | PRICE EX. VAT (SEK) | PRICE INC. VAT (SEK) |
|-----------|-----------------------------------|-------|------------|------------|---------|---------------------|----------------------|
| 14030092  | Oiled Oak w. Natural Paper Cord   | HM3   | 1 pc       | Stock item | 4.50 kg | 6.920               | 8.650                |
| 14030094  | Black Oak w. Natural Paper Cord   | HM3   | 1 pc       | Stock item | 4.30 kg | 6.920               | 8.650                |
| 14030096  | Walnut w. Natural Paper Cord      | HM3   | 1 pc       | Stock item | 4.50 kg | 7.756               | 9.695                |
| 14040092  | Oiled Oak w. Natural Paper Cord   | HM4   | 1 pc       | Stock item | 6.00 kg | 9.308               | 11.635               |
| 14040094  | Black Oak with Natural Paper Cord | HM4   | 1 pc       | Stock item | 5.70 kg | 9.308               | 11.635               |
| 14040096  | Walnut w. Natural Paper Cord      | HM4   | 1 pc       | Stock item | 6.00 kg | 10.500              | 13.125               |

| Item code | Upholstery                                | Model | Colli qty. | Lead time  | Weight  | PRICE EX. VAT (SEK) | PRICE INC. VAT (SEK) |
|-----------|---|-------|------------|------------|---------|---------------------|----------------------|
| 14100107  | Drawn Seat Pad w. Black Prescott Leather  | HM3   | 1 pc       | Stock item | 0.60 kg | 888                 | 1.110                |
| 14100207  | Drawn Seat Pad w. Cognac Prescott Leather | HM3   | 1 pc       | Stock item | 0.60 kg | 888                 | 1.110                |
| 14100307  | Drawn Seat Pad w. Black Prescott Leather  | HM4   | 1 pc       | Stock item | 0.70 kg | 1.068               | 1.335                |
| 14100407  | Drawn Seat Pad w. Cognac Prescott Leather | HM4   | 1 pc       | Stock item | 0.70 kg | 1.068               | 1.335                |

**Frame**

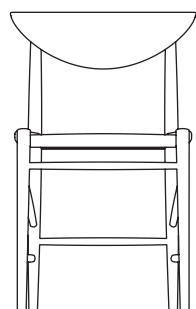
Oiled Oak  
Black water based lacquered Oak  
Oiled Walnut

**Seat**

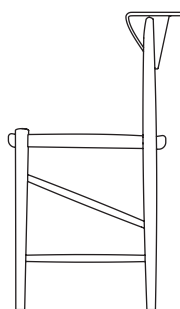
Natural Paper Cord

**Material:** Solid wood, formpressed wood veneer & paper cord.

Wagner QuickClick Plast gliders are installed as standard.  
Wagner QuickClick Felt gliders available upon request.

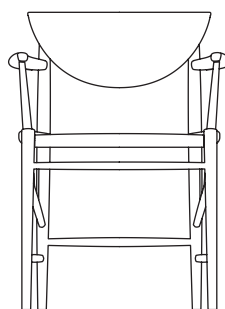


49cm / 19.3in  
**HM3**

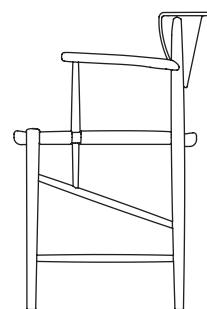


46cm / 18.1in  
**HM3**

78cm / 30.7in  
Seat height:  
46cm / 18.1in  
Seating depth:  
42cm / 16.5in



59cm / 23.2in  
**HM4**



54cm / 21.3in  
**HM4**

78cm / 30.7in  
Armrest height: 69cm / 27.2in  
Seat height:  
46cm / 18.1in  
Seating depth:  
49cm / 19.3in

# Little Petra <sup>VB1</sup>

## Viggo Boesen

### 1938



| Item no. | Upholstery               | Model | Base   | Lead time  | Weight   | PRICE EX. VAT (SEK) | PRICE INC. VAT (SEK) |
|----------|--------------------------|-------|--------|------------|----------|---------------------|----------------------|
| 69113203 | Karakorum 003            | VB1   | Oak    | 2-4 weeks  | 20.00 kg | 29.844              | 37.305               |
| 69113204 | Karakorum 003            | VB1   | Walnut | 2-4 weeks  | 20.00 kg | 29.844              | 37.305               |
| 69113205 | Sheepskin Moonlight 17mm | VB1   | Oak    | Stock item | 20.00 kg | 40.592              | 50.740               |
| 69113206 | Sheepskin Moonlight 17mm | VB1   | Walnut | Stock item | 20.00 kg | 40.592              | 50.740               |
| 69113207 | Sheepskin Sahara 17mm    | VB1   | Oak    | Stock item | 20.00 kg | 40.592              | 50.740               |
| 69113208 | Sheepskin Sahara 17mm    | VB1   | Walnut | Stock item | 20.00 kg | 40.592              | 50.740               |
| 69113209 | Sheepskin Honey 50mm     | VB1   | Oak    | 2-4 weeks  | 20.00 kg | 40.592              | 50.740               |
| 69113210 | Sheepskin Honey 50mm     | VB1   | Walnut | 2-4 weeks  | 20.00 kg | 40.592              | 50.740               |

| Item no.      | Upholstery  | Model | Base   | Lead time | Weight   | PRICE EX. VAT (SEK) | PRICE INC. VAT (SEK) |
|---------------|---|-------|--------|-----------|----------|---------------------|----------------------|
| Fabric gr. 2  | Canvas, Barnum, Fiord, Ritz                           | VB1   | Oak    | 6-8 weeks | 20.00 kg | 26.264              | 32.830               |
|               |   | VB1   | Walnut | 6-8 weeks | 20.00 kg |                     |                      |
| Fabric gr. 3  | Clay, Hallingdal, Steelcut Quartet, Steelcut Trio     | VB1   | Oak    | 6-8 weeks | 20.00 kg | 27.456              | 34.320               |
|               |   | VB1   | Walnut | 6-8 weeks | 20.00 kg |                     |                      |
| Fabric gr. 4  | Acca, Cifrado, Ecriture, Moss, Uniform Melange, Vidar | VB1   | Oak    | 6-8 weeks | 20.00 kg | 28.652              | 35.815               |
|               |   | VB1   | Walnut | 6-8 weeks | 20.00 kg |                     |                      |
| Fabric gr. 5  | Karakorum, Sisu                                       | VB1   | Oak    | 6-8 weeks | 20.00 kg | 34.620              | 43.275               |
|               |   | VB1   | Walnut | 6-8 weeks | 20.00 kg |                     |                      |
| Fabric gr. 6  | Gentle  | VB1   | Oak    | 6-8 weeks | 20.00 kg | 38.204              | 47.755               |
|               |   | VB1   | Walnut | 6-8 weeks | 20.00 kg |                     |                      |
| Sheepskin MTO | Sheepskin 17mm, Sheepskin 50mm                        | VB1   | Oak    | 6-8 weeks | 20.00 kg | 47.756              | 59.695               |
|               |   | VB1   | Walnut | 6-8 weeks | 20.00 kg |                     |                      |
| Fabric COM    | COM Fabric  | VB1   | Oak    | 6-8 weeks | 20.00 kg | 26.264              | 32.830               |
|               |   | VB1   | Walnut | 6-8 weeks | 20.00 kg |                     |                      |

As with most natural materials, differences in structure, density and thickness are expected, as two pieces of sheepskin never look identical and tend to show natural variations in both curls and tones.

#### Base Finish

Solid Oak Oiled Oak  
Solid Walnut Oiled Walnut

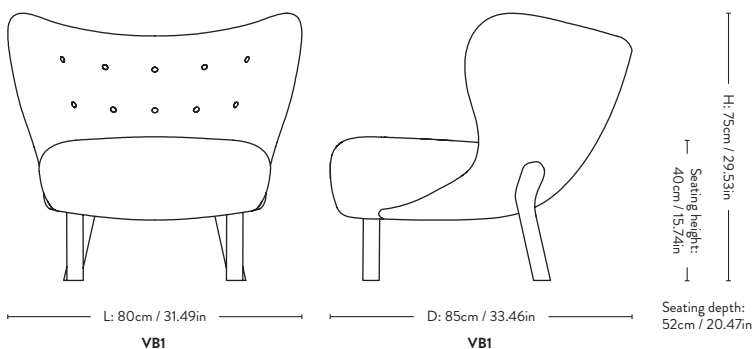
**Material:** Wood, HR foam, polyester wadding, fabric upholstery.

**Fabric usage:** 3.5 meters based on a 140cm roll.

COM must be approved by &Tradition to ensure suitability for upholstery.

Little Petra VB1 is not available in leather.

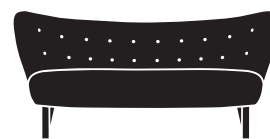
Felt gliders installed as standard.



# Little Petra <sup>VB2</sup>

## Viggo Boesen

### 1938



| Item no. | Upholstery               | Model | Base   | Lead time  | Weight   | PRICE EX. VAT (SEK) | PRICE INC. VAT (SEK) |
|----------|--------------------------|-------|--------|------------|----------|---------------------|----------------------|
| 69113406 | Karakorum 003            | VB2   | Oak    | 2-4 weeks  | 35.00 kg | 44.172              | 55.215               |
| 69113405 | Karakorum 003            | VB2   | Walnut | 2-4 weeks  | 35.00 kg | 44.172              | 55.215               |
| 69113402 | Sheepskin Moonlight 17mm | VB2   | Oak    | Stock item | 35.00 kg | 59.696              | 74.620               |
| 69113401 | Sheepskin Moonlight 17mm | VB2   | Walnut | Stock item | 35.00 kg | 59.696              | 74.620               |
| 69113404 | Sheepskin Sahara 17mm    | VB2   | Oak    | Stock item | 35.00 kg | 59.696              | 74.620               |
| 69113403 | Sheepskin Sahara 17mm    | VB2   | Walnut | Stock item | 35.00 kg | 59.696              | 74.620               |

| Item no.      | Upholstery  | Model | Base   | Lead time | Weight   | PRICE EX. VAT (SEK) | PRICE INC. VAT (SEK) |
|---------------|---|-------|--------|-----------|----------|---------------------|----------------------|
| Fabric gr. 2  | Canvas, Barnum, Fiord, Ritz                           | VB2   | Oak    | 6-8 weeks | 35.00 kg | 43.576              | 54.470               |
|               |   | VB2   | Walnut | 6-8 weeks | 35.00 kg |                     |                      |
| Fabric gr. 3  | Clay, Hallingdal, Steelcut Quartet, Steelcut Trio     | VB2   | Oak    | 6-8 weeks | 35.00 kg | 44.772              | 55.965               |
|               |   | VB2   | Walnut | 6-8 weeks | 35.00 kg |                     |                      |
| Fabric gr. 4  | Acca, Cifrado, Ecriture, Moss, Uniform Melange, Vidar | VB2   | Oak    | 6-8 weeks | 35.00 kg | 47.160              | 58.950               |
|               |   | VB2   | Walnut | 6-8 weeks | 35.00 kg |                     |                      |
| Fabric gr. 5  | Karakorum, Sisu                                       | VB2   | Oak    | 6-8 weeks | 35.00 kg | 52.532              | 65.665               |
|               |   | VB2   | Walnut | 6-8 weeks | 35.00 kg |                     |                      |
| Fabric gr. 6  | Gentle  | VB2   | Oak    | 6-8 weeks | 35.00 kg | 57.904              | 72.380               |
|               |   | VB2   | Walnut | 6-8 weeks | 35.00 kg |                     |                      |
| Sheepskin MTO | Sheepskin 17mm, Sheepskin 50mm                        | VB2   | Oak    | 6-8 weeks | 35.00 kg | 65.664              | 82.080               |
|               |   | VB2   | Walnut | 6-8 weeks | 35.00 kg |                     |                      |
| Fabric COM    | COM Fabric  | VB2   | Oak    | 6-8 weeks | 35.00 kg | 43.576              | 54.470               |
|               |   | VB2   | Walnut | 6-8 weeks | 35.00 kg |                     |                      |

As with most natural materials, differences in structure, density and thickness are expected, as two pieces of sheepskin never look identical and tend to show natural variations in both curls and tones.

#### Base Finish

Solid Oak Oiled Oak  
Solid Walnut Oiled Walnut

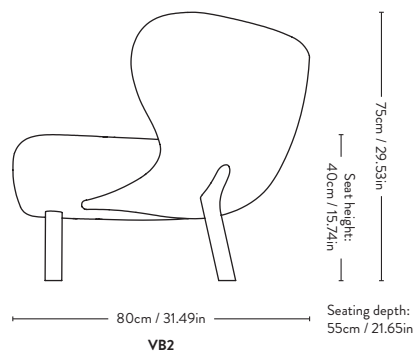
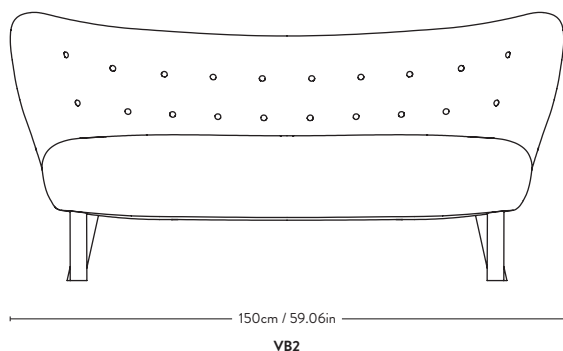
**Material:** Wood, HR foam, polyester wadding, fabric upholstery.

**Fabric usage:** 5.6 meters based on a 140cm roll.

COM must be approved by &Tradition to ensure suitability for upholstery.


Little Petra VB2 is not available in leather.

Felt gliders installed as standard.



NEW

# Petra VB3



## Viggo Boesen 1938



| Item no. | Upholstery               | Model | Base   | Lead time | Weight   | PRICE EX. VAT (SEK) | PRICE INC. VAT (SEK) |
|----------|--------------------------|-------|--------|-----------|----------|---------------------|----------------------|
| 69113510 | Karakorum 003            | VB3   | Oak    | 2-4 weeks | 26.50 kg | 35.816              | 44.770               |
| 69113511 | Karakorum 003            | VB3   | Walnut | 2-4 weeks | 26.50 kg | 35.816              | 44.770               |
| 69113504 | Sheepskin Moonlight 17mm | VB3   | Oak    | 2-4 weeks | 26.50 kg | 59.696              | 74.620               |
| 69113505 | Sheepskin Moonlight 17mm | VB3   | Walnut | 2-4 weeks | 26.50 kg | 59.696              | 74.620               |
| 69113506 | Sheepskin Sahara 17mm    | VB3   | Oak    | 2-4 weeks | 26.50 kg | 59.696              | 74.620               |
| 69113507 | Sheepskin Sahara 17mm    | VB3   | Walnut | 2-4 weeks | 26.50 kg | 59.696              | 74.620               |
| 69113512 | Sheepskin Honey 50 mm    | VB3   | Oak    | 2-4 weeks | 26.50 kg | 59.696              | 74.620               |
| 69113513 | Sheepskin Honey 50 mm    | VB3   | Walnut | 2-4 weeks | 26.50 kg | 59.696              | 74.620               |

| Item no.      | Upholstery  | Model | Base   | Lead time | Weight   | PRICE EX. VAT (SEK) | PRICE INC. VAT (SEK) |
|---------------|---|-------|--------|-----------|----------|---------------------|----------------------|
| Fabric gr. 2  | Canvas, Barnum, Fiord, Ritz                           | VB3   | Oak    | 6-8 weeks | 26.50 kg | 32.232              | 40.290               |
|               |   | VB3   | Walnut | 6-8 weeks | 26.50 kg |                     |                      |
| Fabric gr. 3  | Clay, Hallingdal, Steelcut Quartet, Steelcut Trio     | VB3   | Oak    | 6-8 weeks | 26.50 kg | 33.428              | 41.785               |
|               |   | VB3   | Walnut | 6-8 weeks | 26.50 kg |                     |                      |
| Fabric gr. 4  | Acca, Cifrado, Ecriture, Moss, Uniform Melange, Vidar | VB3   | Oak    | 6-8 weeks | 26.50 kg | 34.620              | 43.275               |
|               |   | VB3   | Walnut | 6-8 weeks | 26.50 kg |                     |                      |
| Fabric gr. 5  | Karakorum, Sisu                                       | VB3   | Oak    | 6-8 weeks | 26.50 kg | 40.592              | 50.740               |
|               |   | VB3   | Walnut | 6-8 weeks | 26.50 kg |                     |                      |
| Fabric gr. 6  | Gentle  | VB3   | Oak    | 6-8 weeks | 26.50 kg | 45.368              | 56.710               |
|               |   | VB3   | Walnut | 6-8 weeks | 26.50 kg |                     |                      |
| Sheepskin MTO | Sheepskin 17mm, Sheepskin 50mm                        | VB3   | Oak    | 6-8 weeks | 26.50 kg | 66.860              | 83.575               |
|               |   | VB3   | Walnut | 6-8 weeks | 26.50 kg |                     |                      |
| Fabric COM    | COM Fabric  | VB2   | Oak    | 6-8 weeks | 35.00 kg | 32.232              | 40.290               |
|               |   | VB2   | Walnut | 6-8 weeks | 35.00 kg |                     |                      |

As with most natural materials, differences in structure, density and thickness are expected, as two pieces of sheepskin never look identical and tend to show natural variations in both curls and tones.

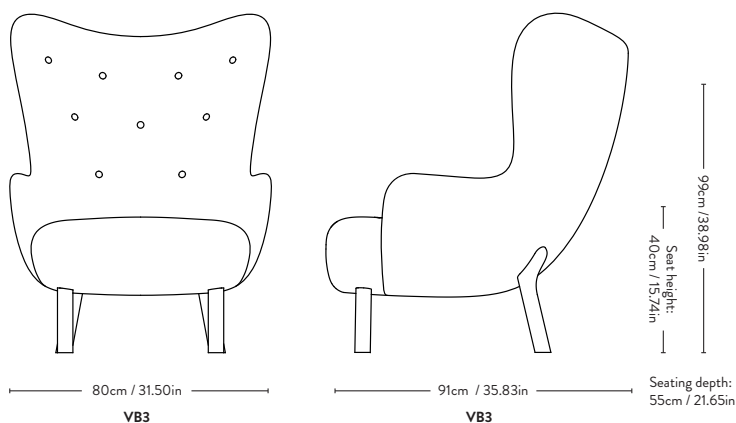
#### Base Finish

Solid Oak Oiled Oak  
Solid Walnut Oiled Walnut

**Material:** Wood, HR foam, polyester wadding, fabric upholstery

**Fabric usage:** 4.4 meters based on a 140cm roll

COM must be approved by &Tradition to ensure suitability for upholstery. Petra VB3 is not available in leather. Felt gliders installed as standard.



# Pouf <sup>ATD1</sup> &Tradition 2020



| Item no.      | Upholstery  | Model | Base   | Colli qty. | Lead time | Weight  | PRICE EX. VAT (SEK) | PRICE INC. VAT (SEK) |
|---------------|---|-------|--------|------------|-----------|---------|---------------------|----------------------|
| Fabric gr. 2  | Canvas, Barnum, Fiord, Ritz                           | ATD1  | Oak    | 1 pc       | 6-8 weeks | 5.20 kg | 8.956               | 11.195               |
|               |   | ATD1  | Walnut | 1 pc       | 6-8 weeks | 5.20 kg |                     |                      |
| Fabric gr. 3  | Clay, Hallingdal, Steelcut Quartet, Steelcut Trio     | ATD1  | Oak    | 1 pc       | 6-8 weeks | 5.20 kg | 9.252               | 11.565               |
|               |   | ATD1  | Walnut | 1 pc       | 6-8 weeks | 5.20 kg |                     |                      |
| Fabric gr. 4  | Acca, Cifrado, Ecriture, Moss, Uniform Melange, Vidar | ATD1  | Oak    | 1 pc       | 6-8 weeks | 5.20 kg | 9.312               | 11.640               |
|               |   | ATD1  | Walnut | 1 pc       | 6-8 weeks | 5.20 kg |                     |                      |
| Fabric gr. 5  | Karakorum, Sisu                                       | ATD1  | Oak    | 1 pc       | 6-8 weeks | 5.20 kg | 9.552               | 11.940               |
|               |   | ATD1  | Walnut | 1 pc       | 6-8 weeks | 5.20 kg |                     |                      |
| Fabric gr. 6  | Gentle  | ATD1  | Oak    | 1 pc       | 6-8 weeks | 5.20 kg | 10.508              | 13.135               |
|               |   | ATD1  | Walnut | 1 pc       | 6-8 weeks | 5.20 kg |                     |                      |
| Sheepskin MTO | Sheepskin 17mm, Sheepskin 50mm                        | ATD1  | Oak    | 1 pc       | 6-8 weeks | 5.20 kg | 12.536              | 15.670               |
|               |   | ATD1  | Walnut | 1 pc       | 6-8 weeks | 5.20 kg |                     |                      |
| Fabric COM    | COM Fabric  | ATD1  | Oak    | 1 pc       | 6-8 weeks | 5.20 kg | 8.956               | 11.195               |
|               |   | ATD1  | Walnut | 1 pc       | 6-8 weeks | 5.20 kg |                     |                      |

As with most natural materials, differences in structure, density and thickness are expected, as two pieces of sheepskin never look identical and tend to show natural variations in both curls and tones.

#### Base Finish

Solid Oak Oiled Oak  
Solid Walnut Oiled Walnut

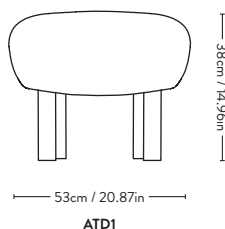
**Material:** Wood, HR foam, polyester wadding, fabric upholstery.

**Fabric usage:** 1.2 meter based on a 140cm roll.

COM must be approved by &Tradition to ensure suitability for upholstery.

Pouf ATD1 is not available in leather.

Felt gliders installed as standard.



# Little Petra & Pouf VB1 & ATD1

## Viggo Boesen 1938



| Item no. | Upholstery               | Model      | Base   | Lead time | Weight   | PRICE EX. VAT (SEK) | PRICE INC. VAT (SEK) |
|----------|--------------------------|------------|--------|-----------|----------|---------------------|----------------------|
| 69112912 | Karakorum 003            | VB1 & ATD1 | Oak    | 6-8 weeks | 25.20 kg | 39.396              | 49.245               |
| 69112913 | Karakorum 003            | VB1 & ATD1 | Walnut | 6-8 weeks | 25.20 kg | 39.396              | 49.245               |
| 69112914 | Sheepskin Moonlight 17mm | VB1 & ATD1 | Oak    | 6-8 weeks | 25.20 kg | 53.128              | 66.410               |
| 69112915 | Sheepskin Moonlight 17mm | VB1 & ATD1 | Walnut | 6-8 weeks | 25.20 kg | 53.128              | 66.410               |
| 69112916 | Sheepskin Sahara 17mm    | VB1 & ATD1 | Oak    | 6-8 weeks | 25.20 kg | 53.128              | 66.410               |
| 69112917 | Sheepskin Sahara 17mm    | VB1 & ATD1 | Walnut | 6-8 weeks | 25.20 kg | 53.128              | 66.410               |
| 69112918 | Sheepskin Honey 50mm     | VB1 & ATD1 | Oak    | 6-8 weeks | 25.20 kg | 53.128              | 66.410               |
| 69112919 | Sheepskin Honey 50mm     | VB1 & ATD1 | Walnut | 6-8 weeks | 25.20 kg | 53.128              | 66.410               |

| Item no.      | Upholstery  | Model      | Base   | Lead time | Weight   | PRICE EX. VAT (SEK) | PRICE INC. VAT (SEK) |
|---------------|---|------------|--------|-----------|----------|---------------------|----------------------|
| Fabric gr. 2  | Canvas, Barnum, Fiord, Ritz                           | VB1 & ATD1 | Oak    | 6-8 weeks | 25.20 kg | 35.216              | 44.020               |
|               |   |            | Walnut | 6-8 weeks | 25.20 kg |                     |                      |
| Fabric gr. 3  | Clay, Hallingdal, Steelcut Quartet, Steelcut Trio     | VB1 & ATD1 | Oak    | 6-8 weeks | 25.20 kg | 36.412              | 45.515               |
|               |   |            | Walnut | 6-8 weeks | 25.20 kg |                     |                      |
| Fabric gr. 4  | Acca, Cifrado, Ecriture, Moss, Uniform Melange, Vidar | VB1 & ATD1 | Oak    | 6-8 weeks | 25.20 kg | 37.964              | 47.455               |
|               |   |            | Walnut | 6-8 weeks | 25.20 kg |                     |                      |
| Fabric gr. 5  | Karakorum, Sisu                                       | VB1 & ATD1 | Oak    | 6-8 weeks | 25.20 kg | 44.172              | 55.215               |
|               |   |            | Walnut | 6-8 weeks | 25.20 kg |                     |                      |
| Fabric gr. 6  | Gentle  | VB1 & ATD1 | Oak    | 6-8 weeks | 25.20 kg | 48.592              | 60.740               |
|               |   |            | Walnut | 6-8 weeks | 25.20 kg |                     |                      |
| Sheepskin MTO | Sheepskin 17mm, Sheepskin 50mm                        | VB1 & ATD1 | Oak    | 6-8 weeks | 25.20 kg | 60.292              | 75.365               |
|               |   |            | Walnut | 6-8 weeks | 25.20 kg |                     |                      |
| Fabric COM    | COM Fabric  | VB1 & ATD1 | Oak    | 6-8 weeks | 25.20 kg | 35.216              | 44.020               |
|               |   |            | Walnut | 6-8 weeks | 25.20 kg |                     |                      |

As with most natural materials, differences in structure, density and thickness are expected, as two pieces of sheepskin never look identical and tend to show natural variations in both curls and tones.

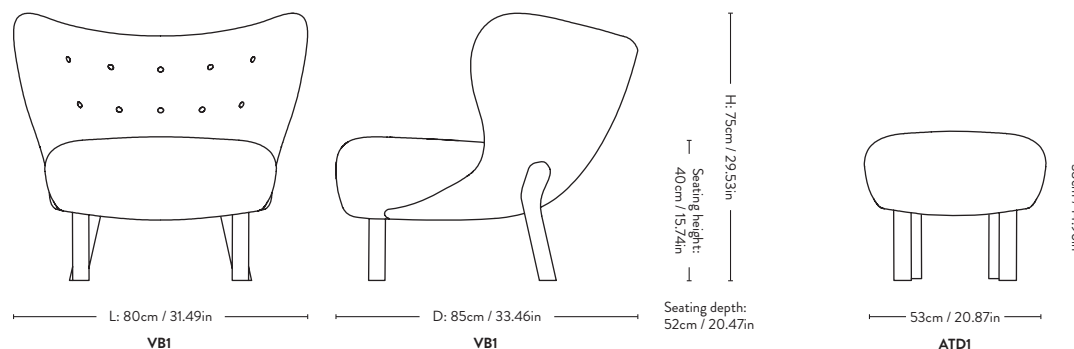
### Base Finish

Solid Oak Oiled Oak  
Solid Walnut Oiled Walnut

**Material:** Wood, HR foam, polyester wadding, fabric upholstery.

**Fabric usage:** 4.7 meters based on a 140cm roll.

COM must be approved by &Tradition to ensure suitability for upholstery. Little Petra VB1 & Pouf ATD1 are not available in leather. Felt gliders installed as standard.





NEW

# Petra & Puff VB3 & ATD1

## Viggo Boesen

### 1938



| Item no. | Upholstery               | Model      | Base   | Lead time | Weight   | PRICE EX. VAT (SEK) | PRICE INC. VAT (SEK) |
|----------|--------------------------|------------|--------|-----------|----------|---------------------|----------------------|
| 69123511 | Karakorum 003            | VB3 & ATD1 | Oak    | 6-8 weeks | 31.70 kg | 45.368              | 56.710               |
| 69123512 | Karakorum 003            | VB3 & ATD1 | Walnut | 6-8 weeks | 31.70 kg | 45.368              | 56.710               |
| 69123501 | Sheepskin Moonlight 17mm | VB3 & ATD1 | Oak    | 6-8 weeks | 31.70 kg | 72.828              | 91.035               |
| 69123502 | Sheepskin Moonlight 17mm | VB3 & ATD1 | Walnut | 6-8 weeks | 31.70 kg | 72.828              | 91.035               |
| 69123503 | Sheepskin Sahara 17mm    | VB3 & ATD1 | Oak    | 6-8 weeks | 31.70 kg | 72.828              | 91.035               |
| 69123504 | Sheepskin Sahara 17mm    | VB3 & ATD1 | Walnut | 6-8 weeks | 31.70 kg | 72.828              | 91.035               |
| 69123513 | Sheepskin Honey 50 mm    | VB3 & ATD1 | Oak    | 6-8 weeks | 31.70 kg | 72.828              | 91.035               |
| 69123514 | Sheepskin Honey 50 mm    | VB3 & ATD1 | Walnut | 6-8 weeks | 31.70 kg | 72.828              | 91.035               |

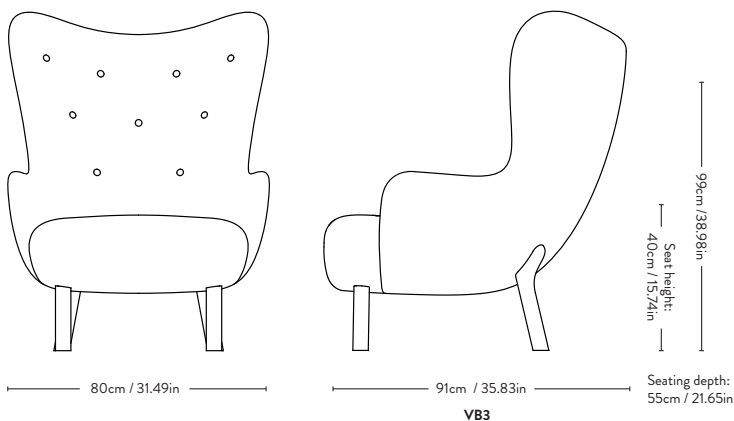
| Item no.      | Upholstery  | Model      | Base   | Lead time | Weight   | PRICE EX. VAT (SEK) | PRICE INC. VAT (SEK) |
|---------------|---|------------|--------|-----------|----------|---------------------|----------------------|
| Fabric gr. 2  | Canvas, Barnum, Fiord, Ritz                           | VB3 & ATD1 | Oak    | 6-8 weeks | 31.70 kg | 41.188              | 51.485               |
|               |   | VB3 & ATD1 | Walnut | 6-8 weeks | 31.70 kg |                     |                      |
| Fabric gr. 3  | Clay, Hallingdal, Steelcut Trio, Steelcut Quartet     | VB3 & ATD1 | Oak    | 6-8 weeks | 31.70 kg | 42.384              | 52.980               |
|               |   | VB3 & ATD1 | Walnut | 6-8 weeks | 31.70 kg |                     |                      |
| Fabric gr. 4  | Acca, Cifrado, Ecriture, Moss, Uniform Melange, Vidar | VB3 & ATD1 | Oak    | 6-8 weeks | 31.70 kg | 43.936              | 54.920               |
|               |   | VB3 & ATD1 | Walnut | 6-8 weeks | 31.70 kg |                     |                      |
| Fabric gr. 5  | Karakorum, Sisu                                       | VB3 & ATD1 | Oak    | 6-8 weeks | 31.70 kg | 50.144              | 62.680               |
|               |   | VB3 & ATD1 | Walnut | 6-8 weeks | 31.70 kg |                     |                      |
| Fabric gr. 6  | Gentle  | VB3 & ATD1 | Oak    | 6-8 weeks | 31.70 kg | 54.920              | 68.650               |
|               |   | VB3 & ATD1 | Walnut | 6-8 weeks | 31.70 kg |                     |                      |
| Sheepskin MTO | Sheepskin 17mm, Sheepskin 50mm                        | VB3 & ATD1 | Oak    | 6-8 weeks | 31.70 kg | 79.396              | 99.245               |
|               |   | VB3 & ATD1 | Walnut | 6-8 weeks | 31.70 kg |                     |                      |
| Fabric COM    | COM Fabric  | VB3 & ATD1 | Oak    | 6-8 weeks | 31.70 kg | 41.188              | 51.485               |
|               |   | VB3 & ATD1 | Walnut | 6-8 weeks | 31.70 kg |                     |                      |

As with most natural materials, differences in structure, density and thickness are expected, as two pieces of sheepskin never look identical and tend to show natural variations in both curls and tones.

#### Base Finish

Solid Oak Oiled Oak  
Solid Walnut Oiled Walnut

**Material:** Wood, HR foam, polyester wadding,  
**Fabric usage:** 5.6 meters based on a 140cm roll  
COM must be approved by &Tradition to ensure suitability for upholstery.  
Petra VB3 and Pouf ATD1 are not available in leather  
Felt gliders installed as standard.



# Wulff <sup>ATD2</sup> &Tradition 1938 / 2021



| Item no. | Upholstery               | Model | Base   | Lead time | Weight   | PRICE EX. VAT (SEK) | PRICE INC. VAT (SEK) |
|----------|--------------------------|-------|--------|-----------|----------|---------------------|----------------------|
| 41103202 | Karakorum 003            | ATD2  | Oak    | 2-4 weeks | 15.00 kg | 31.040              | 38.800               |
| 41104202 |                          | ATD2  | Walnut | 2-4 weeks | 15.00 kg | 33.428              | 41.785               |
| 41103204 | Sheepskin Moonlight 17mm | ATD2  | Oak    | 2-4 weeks | 15.00 kg | 41.784              | 52.230               |
| 41104204 |                          | ATD2  | Walnut | 2-4 weeks | 15.00 kg | 44.172              | 55.215               |
| 41103205 | Sheepskin Honey 50mm     | ATD2  | Oak    | 2-4 weeks | 15.00 kg | 41.784              | 52.230               |
| 41104205 |                          | ATD2  | Walnut | 2-4 weeks | 15.00 kg | 44.172              | 55.215               |

| Item no.      | Upholstery  | Model | Base   | Lead time | Weight   | PRICE EX. VAT (SEK) | PRICE INC. VAT (SEK) |
|---------------|---|-------|--------|-----------|----------|---------------------|----------------------|
| Fabric gr. 1  | Hot Madison, Remix, Re-Wool                           | ATD2  | Oak    | 6-8 weeks | 15.00 kg | 26.264              | 32.830               |
|               |   | ATD2  | Walnut | 6-8 weeks | 15.00 kg | 31.040              | 38.800               |
| Fabric gr. 2  | Canvas, Barnum, Fiord, Ritz                           | ATD2  | Oak    | 6-8 weeks | 15.00 kg | 27.456              | 34.320               |
|               |   | ATD2  | Walnut | 6-8 weeks | 15.00 kg | 32.232              | 40.290               |
| Fabric gr. 3  | Clay, Hallingdal, Steelcut Quartet, Steelcut Trio     | ATD2  | Oak    | 6-8 weeks | 15.00 kg | 28.652              | 35.815               |
|               |   | ATD2  | Walnut | 6-8 weeks | 15.00 kg | 33.428              | 41.785               |
| Fabric gr. 4  | Acca, Cifrado, Ecriture, Moss, Uniform Melange, Vidar | ATD2  | Oak    | 6-8 weeks | 15.00 kg | 29.844              | 37.305               |
|               |   | ATD2  | Walnut | 6-8 weeks | 15.00 kg | 34.620              | 43.275               |
| Fabric gr. 5  | Karakorum, Sisu                                       | ATD2  | Oak    | 6-8 weeks | 15.00 kg | 35.816              | 44.770               |
|               |   | ATD2  | Walnut | 6-8 weeks | 15.00 kg | 40.592              | 50.740               |
| Fabric gr. 6  | Gentle  | ATD2  | Oak    | 6-8 weeks | 15.00 kg | 39.396              | 49.245               |
|               |   | ATD2  | Walnut | 6-8 weeks | 15.00 kg | 44.772              | 55.965               |
| Sheepskin MTO | Sheepskin 17mm, Sheepskin 50mm                        | ATD2  | Oak    | 6-8 weeks | 15.00 kg | 47.696              | 59.620               |
|               |   | ATD2  | Walnut | 6-8 weeks | 15.00 kg | 52.472              | 65.590               |
| Fabric COM    | COM Fabric  | ATD2  | Oak    | 6-8 weeks | 15.00 kg | 26.264              | 32.830               |
|               |   | ATD2  | Walnut | 6-8 weeks | 15.00 kg | 31.040              | 38.800               |

As with most natural materials, differences in structure, density and thickness are expected, as two pieces of sheepskin never look identical and tend to show natural variations in both curls and tones.

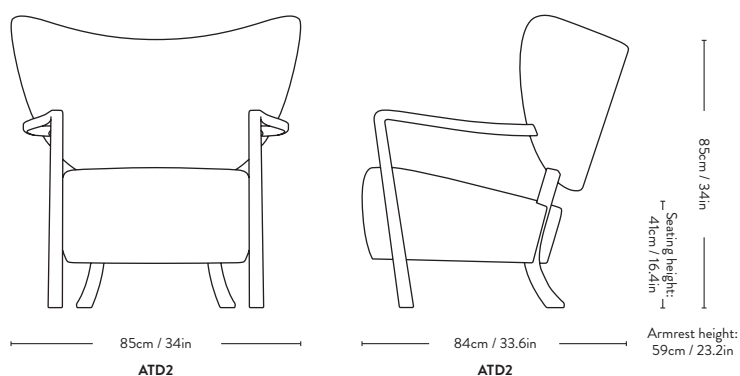
**Material:** Oiled wood, HR foam, polyester wadding, fabric upholstery.

**Fabric usage:** 2.5 meters based on a 140cm roll.

COM must be approved by &Tradition to ensure suitability for upholstery.

Wulff ATD2 is not available in leather.

Felt gliders installed as standard.



# Wulff ATD3 &Tradition 2022



|                          | Upholstery  | Model | Base   | Lead time | Weight  | PRICE EX.<br>VAT (SEK) | PRICE INC.<br>VAT (SEK) |
|--------------------------|---|-------|--------|-----------|---------|------------------------|-------------------------|
| <b>Fabric gr. 1</b>      | Hot Madison, Remix, Re-Wool                           | ATD3  | Oak    | 6-8 weeks | 6.70 kg | 10.740                 | 13.425                  |
|                          |   | ATD3  | Walnut | 6-8 weeks | 6.70 kg | 11.336                 | 14.170                  |
| <b>Fabric gr. 2</b>      | Canvas, Barnum, Fiord, Ritz                           | ATD3  | Oak    | 6-8 weeks | 6.70 kg | 11.336                 | 14.170                  |
|                          |   | ATD3  | Walnut | 6-8 weeks | 6.70 kg | 11.936                 | 14.920                  |
| <b>Fabric gr. 3</b>      | Clay, Hallingdal, Steelcut Quartet, Steelcut Trio     | ATD3  | Oak    | 6-8 weeks | 6.70 kg | 11.936                 | 14.920                  |
|                          |   | ATD3  | Walnut | 6-8 weeks | 6.70 kg | 12.532                 | 15.665                  |
| <b>Fabric gr. 4</b>      | Acca, Cifrado, Ecriture, Moss, Uniform Melange, Vidar | ATD3  | Oak    | 6-8 weeks | 6.70 kg | 12.532                 | 15.665                  |
|                          |   | ATD3  | Walnut | 6-8 weeks | 6.70 kg | 13.128                 | 16.410                  |
| <b>Fabric gr. 5</b>      | Karakorum, Sisu                                       | ATD3  | Oak    | 6-8 weeks | 6.70 kg | 14.324                 | 17.905                  |
|                          |   | ATD3  | Walnut | 6-8 weeks | 6.70 kg | 14.920                 | 18.650                  |
| <b>Fabric gr. 6</b>      | Gentle  | ATD3  | Oak    | 6-8 weeks | 6.70 kg | 15.516                 | 19.395                  |
|                          |   | ATD3  | Walnut | 6-8 weeks | 6.70 kg | 16.712                 | 20.890                  |
| <b>Sheepskin<br/>MTO</b> | Sheepskin 17mm, Sheepskin 50mm                        | ATD3  | Oak    | 6-8 weeks | 6.70 kg | 16.112                 | 20.140                  |
|                          |   | ATD3  | Walnut | 6-8 weeks | 6.70 kg | 16.712                 | 20.890                  |
| <b>Fabric<br/>COM</b>    | COM Fabric  | ATD3  | Oak    | 6-8 weeks | 6.70 kg | 10.740                 | 13.425                  |
|                          |   | ATD3  | Walnut | 6-8 weeks | 6.70 kg | 11.336                 | 14.170                  |

As with most natural materials, differences in structure, density and thickness are expected, as two pieces of sheepskin never look identical and tend to show natural variations in both curls and tones.

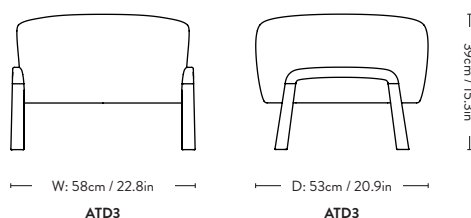
**Material:** Oiled wood, HR foam, polyester wadding, fabric upholstery.

**Fabric usage:** 1.3 meters based on a 140cm roll.

COM must be approved by &Tradition to ensure suitability for upholstery.

Wulff ATD3 is not available in leather.

Felt gliders installed as standard.



# Wulff ATD2 & ATD3 &Tradition 2022



| Item no. | Upholstery               | Model       | Base   | Lead time | Weight   | PRICE EX. VAT (SEK) | PRICE INC. VAT (SEK) |
|----------|--------------------------|-------------|--------|-----------|----------|---------------------|----------------------|
| 41105202 | Karakorum 003            | ATD2 & ATD3 | Oak    | 6-8 weeks | 21.70 kg | 41.784              | 52.230               |
| 41106202 |                          | ATD2 & ATD3 | Walnut | 6-8 weeks | 21.70 kg | 44.772              | 55.965               |
| 41105204 | Sheepskin Moonlight 17mm | ATD2 & ATD3 | Oak    | 6-8 weeks | 21.70 kg | 54.324              | 67.905               |
| 41106204 |                          | ATD2 & ATD3 | Walnut | 6-8 weeks | 21.70 kg | 57.308              | 71.635               |
| 41105205 | Sheepskin Honey 50mm     | ATD2 & ATD3 | Oak    | 6-8 weeks | 21.70 kg | 54.324              | 67.905               |
| 41106205 |                          | ATD2 & ATD3 | Walnut | 6-8 weeks | 21.70 kg | 57.308              | 71.635               |

|                      | Upholstery  | Model       | Base   | Lead time | Weight   | PRICE EX. VAT (SEK) | PRICE INC. VAT (SEK) |
|----------------------|---|-------------|--------|-----------|----------|---------------------|----------------------|
| <b>Fabric gr. 1</b>  | Hot Madison, Remix, Re-Wool                           | ATD2 & ATD3 | Oak    | 6-8 weeks | 21.70 kg | 33.428              | 41.785               |
|                      |   | ATD2 & ATD3 | Walnut | 6-8 weeks | 21.70 kg | 38.800              | 48.500               |
| <b>Fabric gr. 2</b>  | Canvas, Barnum, Fiord, Ritz                           | ATD2 & ATD3 | Oak    | 6-8 weeks | 21.70 kg | 35.216              | 44.020               |
|                      |   | ATD2 & ATD3 | Walnut | 6-8 weeks | 21.70 kg | 40.592              | 50.740               |
| <b>Fabric gr. 3</b>  | Clay, Hallingdal, Steelcut Quartet, Steelcut Trio     | ATD2 & ATD3 | Oak    | 6-8 weeks | 21.70 kg | 36.412              | 45.515               |
|                      |   | ATD2 & ATD3 | Walnut | 6-8 weeks | 21.70 kg | 41.784              | 52.230               |
| <b>Fabric gr. 4</b>  | Acca, Cifrado, Ecriture, Moss, Uniform Melange, Vidar | ATD2 & ATD3 | Oak    | 6-8 weeks | 21.70 kg | 38.800              | 48.500               |
|                      |   | ATD2 & ATD3 | Walnut | 6-8 weeks | 21.70 kg | 44.172              | 55.215               |
| <b>Fabric gr. 5</b>  | Karakorum, Sisu                                       | ATD2 & ATD3 | Oak    | 6-8 weeks | 21.70 kg | 46.560              | 58.200               |
|                      |   | ATD2 & ATD3 | Walnut | 6-8 weeks | 21.70 kg | 51.936              | 64.920               |
| <b>Fabric gr. 6</b>  | Gentle  | ATD2 & ATD3 | Oak    | 6-8 weeks | 21.70 kg | 51.336              | 64.170               |
|                      |   | ATD2 & ATD3 | Walnut | 6-8 weeks | 21.70 kg | 57.904              | 72.380               |
| <b>Sheepskin MTO</b> | Sheepskin 17mm, Sheepskin 50mm                        | ATD2 & ATD3 | Oak    | 6-8 weeks | 21.70 kg | 60.232              | 75.290               |
|                      |   | ATD2 & ATD3 | Walnut | 6-8 weeks | 21.70 kg | 65.604              | 82.005               |
| <b>Fabric COM</b>    | COM Fabric  | ATD2 & ATD3 | Oak    | 6-8 weeks | 21.70 kg | 33.428              | 41.785               |
|                      |   | ATD2 & ATD3 | Walnut | 6-8 weeks | 21.70 kg | 38.800              | 48.500               |

As with most natural materials, differences in structure, density and thickness are expected, as two pieces of sheepskin never look identical and tend to show natural variations in both curls and tones.

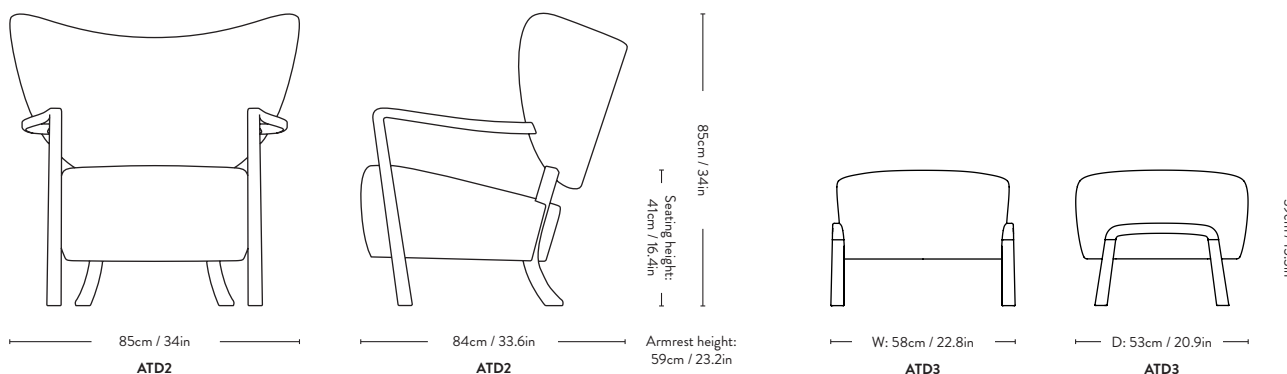
**Material:** Oiled wood, HR foam, polyester wadding, fabric upholstery.

**Fabric usage:** 3.8 meters based on a 140cm roll.

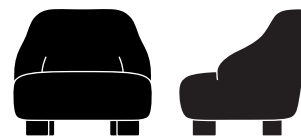
COM must be approved by &Tradition to ensure suitability for upholstery.

Wulff ATD2 & ATD3 are not available in leather.

Felt gliders installed as standard.



# Margas LC1 Liljencrantz 2022



| Item no. | Upholstery    | Base      | Model | Lead time | Weight  | PRICE EX. VAT (SEK) | PRICE INC. VAT (SEK) |
|----------|---------------|-----------|-------|-----------|---------|---------------------|----------------------|
| 11500202 | Karakorum 001 | Black Oak | LC1   | 2-4 weeks | 26.0 kg | 25.068              | 31.335               |
| 11500402 |               | Oak       | LC1   | 2-4 weeks | 26.0 kg | 25.068              | 31.335               |
| 11500602 |               | Walnut    | LC1   | 2-4 weeks | 26.0 kg | 28.652              | 35.815               |
| 11500205 | Clay 0011     | Black Oak | LC1   | 2-4 weeks | 26.0 kg | 23.276              | 29.095               |
| 11500405 |               | Oak       | LC1   | 2-4 weeks | 26.0 kg | 23.276              | 29.095               |
| 11500605 |               | Walnut    | LC1   | 2-4 weeks | 26.0 kg | 26.860              | 33.575               |

|                     | Upholstery  | Base      | Model | Lead time | Weight  | PRICE EX. VAT (SEK) | PRICE INC. VAT (SEK) |
|---------------------|---|-----------|-------|-----------|---------|---------------------|----------------------|
| <b>Fabric gr. 1</b> | Hot Madison, Remix, Re-Wool                           | Black Oak | LC1   | 6-8 weeks | 26.0 kg | 20.292              | 25.365               |
|                     |   | Oak       | LC1   | 6-8 weeks | 26.0 kg | 20.292              | 25.365               |
|                     |   | Walnut    | LC1   | 6-8 weeks | 26.0 kg | 23.876              | 29.845               |
| <b>Fabric gr. 2</b> | Canvas, Barnum, Fiord, Ritz                           | Black Oak | LC1   | 6-8 weeks | 26.0 kg | 22.680              | 28.350               |
|                     |   | Oak       | LC1   | 6-8 weeks | 26.0 kg | 22.680              | 28.350               |
|                     |   | Walnut    | LC1   | 6-8 weeks | 26.0 kg | 26.264              | 32.830               |
| <b>Fabric gr. 3</b> | Clay, Hallingdal, Steelcut Quartet, Steelcut Trio     | Black Oak | LC1   | 6-8 weeks | 26.0 kg | 23.276              | 29.095               |
|                     |   | Oak       | LC1   | 6-8 weeks | 26.0 kg | 23.276              | 29.095               |
|                     |   | Walnut    | LC1   | 6-8 weeks | 26.0 kg | 26.860              | 33.575               |
| <b>Fabric gr. 4</b> | Acca, Cifrado, Ecriture, Moss, Uniform Melange, Vidar | Black Oak | LC1   | 6-8 weeks | 26.0 kg | 23.876              | 29.845               |
|                     |   | Oak       | LC1   | 6-8 weeks | 26.0 kg | 23.876              | 29.845               |
|                     |   | Walnut    | LC1   | 6-8 weeks | 26.0 kg | 27.456              | 34.320               |
| <b>Fabric gr. 5</b> | Karakorum, Sisu                                       | Black Oak | LC1   | 6-8 weeks | 26.0 kg | 28.652              | 35.815               |
|                     |   | Oak       | LC1   | 6-8 weeks | 26.0 kg | 28.652              | 35.815               |
|                     |   | Walnut    | LC1   | 6-8 weeks | 26.0 kg | 32.232              | 40.290               |
| <b>Fabric gr. 6</b> | Gentle  | Black Oak | LC1   | 6-8 weeks | 26.0 kg | 31.636              | 39.545               |
|                     |   | Oak       | LC1   | 6-8 weeks | 26.0 kg | 31.636              | 39.545               |
|                     |   | Walnut    | LC1   | 6-8 weeks | 26.0 kg | 35.816              | 44.770               |
| <b>COM Fabric</b>   | COM Fabric  | Black Oak | LC1   | 6-8 weeks | 26.0 kg | 20.292              | 25.365               |
|                     |   | Oak       | LC1   | 6-8 weeks | 26.0 kg | 20.292              | 25.365               |
|                     |   | Walnut    | LC1   | 6-8 weeks | 26.0 kg | 23.876              | 29.845               |

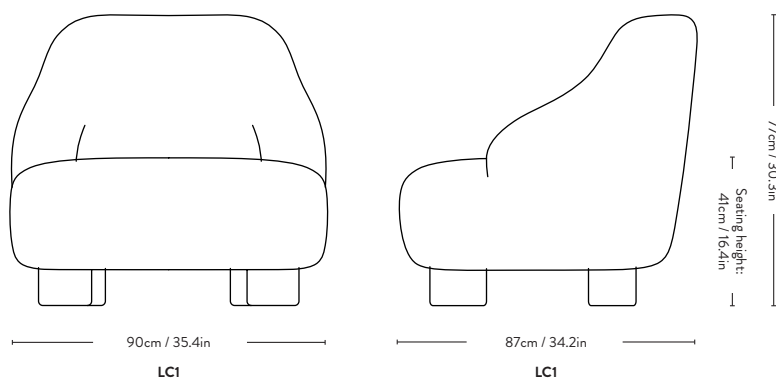
**Material:** Wood, HR foam, polyester wadding, fabric upholstery.

**Frame:** Black water based lacquered Oak, Oiled Oak or Oiled Walnut

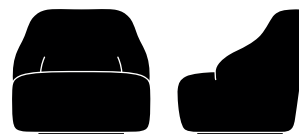
**Fabric usage:** 2.8 meters based on a 140cm roll. COM must be approved by &Tradition to ensure suitability for upholstery.

Margas LC1 is not available in leather.

Felt gliders installed as standard.



# Margas LC2 Liljencrantz 2022



| Item no. | Upholstery    | Base         | Model | Lead time | Weight  | PRICE EX. VAT (SEK) | PRICE INC. VAT (SEK) |
|----------|---------------|--------------|-------|-----------|---------|---------------------|----------------------|
| 11550202 | Karakorum 001 | Black Swivel | LC2   | 2-4 weeks | 32.0 kg | 25.068              | 31.335               |
| 11550205 | Clay 0011     | Black Swivel | LC2   | 2-4 weeks | 32.0 kg | 20.292              | 25.365               |

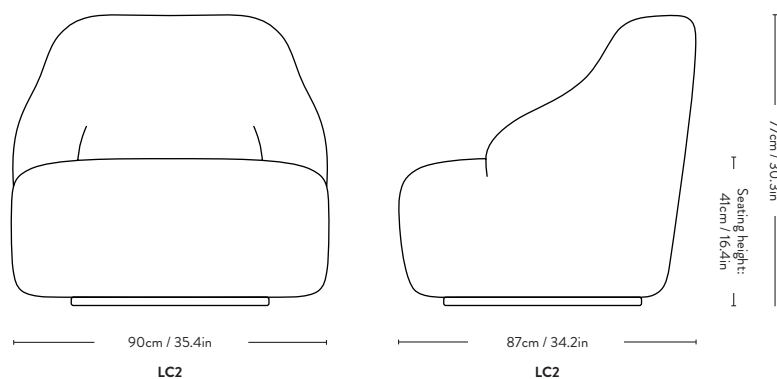
|                     | Upholstery  | Base         | Model | Lead time | Weight  | PRICE EX. VAT (SEK) | PRICE INC. VAT (SEK) |
|---------------------|---|--------------|-------|-----------|---------|---------------------|----------------------|
| <b>Fabric gr. 1</b> | Hot Madison, Remix, Re-Wool                           | Black Swivel | LC2   | 6-8 weeks | 32.0 kg | 20.292              | 25.365               |
| <b>Fabric gr. 2</b> | Canvas, Barnum, Fiord, Ritz                           | Black Swivel | LC2   | 6-8 weeks | 32.0 kg | 22.680              | 28.350               |
| <b>Fabric gr. 3</b> | Clay, Hallingdal, Steelcut Quartet, Steelcut Trio     | Black Swivel | LC2   | 6-8 weeks | 32.0 kg | 23.276              | 29.095               |
| <b>Fabric gr. 4</b> | Acca, Cifrado, Ecriture, Moss, Uniform Melange, Vidar | Black Swivel | LC2   | 6-8 weeks | 32.0 kg | 23.876              | 29.845               |
| <b>Fabric gr. 5</b> | Karakorum, Sisu                                       | Black Swivel | LC2   | 6-8 weeks | 32.0 kg | 28.652              | 35.815               |
| <b>Fabric gr. 6</b> | Gentle  | Black Swivel | LC2   | 6-8 weeks | 32.0 kg | 31.636              | 39.545               |
| <b>COM Fabric</b>   | COM Fabric  | Black Swivel | LC2   | 6-8 weeks | 32.0 kg | 20.292              | 25.365               |

**Material:** Wood, HR foam, polyester wadding, fabric upholstery.

**Fabric usage:** 2.8 meters based on a 140cm roll.  
COM must be approved by &Tradition to ensure suitability for upholstery.

Margas LC2 is not available in leather.

Felt gliders installed as standard.  
Swivel w. return function.



# Margas LC3 Liljencrantz 2022



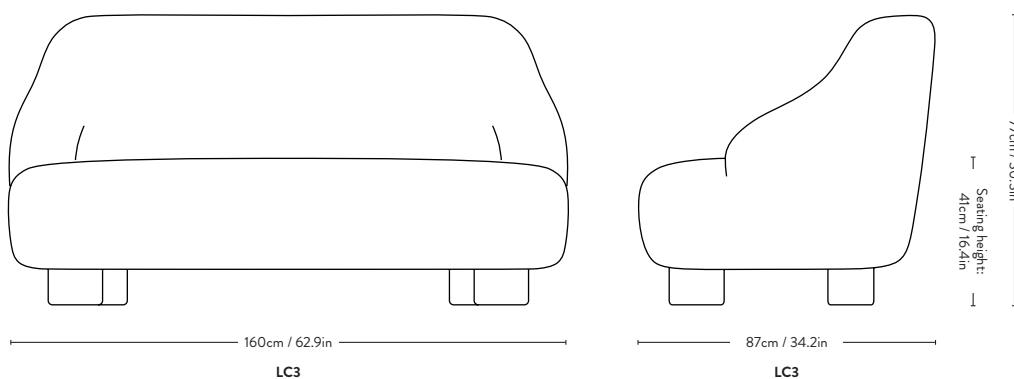
| Item no. | Upholstery    | Base      | Model | Lead time | Weight  | PRICE EX. VAT (SEK) | PRICE INC. VAT (SEK) |
|----------|---------------|-----------|-------|-----------|---------|---------------------|----------------------|
| 11600202 | Karakorum 001 | Black Oak | LC3   | 2-4 weeks | 38.0 kg | 34.620              | 43.275               |
| 11600402 |               | Oak       | LC3   | 2-4 weeks | 38.0 kg | 34.620              | 43.275               |
| 11600602 |               | Walnut    | LC3   | 2-4 weeks | 38.0 kg | 38.204              | 47.755               |
| 11600205 | Clay 0011     | Black Oak | LC3   | 2-4 weeks | 38.0 kg | 32.232              | 40.290               |
| 11600405 |               | Oak       | LC3   | 2-4 weeks | 38.0 kg | 32.232              | 40.290               |
| 11600605 |               | Walnut    | LC3   | 2-4 weeks | 38.0 kg | 35.816              | 44.770               |

|                     | Upholstery  | Base           | Model | Lead time | Weight  | PRICE EX. VAT (SEK) | PRICE INC. VAT (SEK) |
|---------------------|---|----------------|-------|-----------|---------|---------------------|----------------------|
| <b>Fabric gr. 1</b> | Hot Madison, Remix, Re-Wool                           | Black Oak, Oak | LC3   | 6-8 weeks | 38.0 kg | 27.456              | 34.320               |
|                     |   | Walnut         | LC3   | 6-8 weeks | 38.0 kg | 31.040              | 38.800               |
| <b>Fabric gr. 2</b> | Canvas, Barnum, Fiord, Ritz                           | Black Oak, Oak | LC3   | 6-8 weeks | 38.0 kg | 31.040              | 38.800               |
|                     |   | Walnut         | LC3   | 6-8 weeks | 38.0 kg | 34.620              | 43.275               |
| <b>Fabric gr. 3</b> | Clay, Hallingdal, Steelcut Quartet, Steelcut Trio     | Black Oak, Oak | LC3   | 6-8 weeks | 38.0 kg | 32.232              | 40.290               |
|                     |   | Walnut         | LC3   | 6-8 weeks | 38.0 kg | 35.816              | 44.770               |
| <b>Fabric gr. 4</b> | Acca, Cifrado, Ecriture, Moss, Uniform Melange, Vidar | Black Oak, Oak | LC3   | 6-8 weeks | 38.0 kg | 33.428              | 41.785               |
|                     |   | Walnut         | LC3   | 6-8 weeks | 38.0 kg | 37.008              | 46.260               |
| <b>Fabric gr. 5</b> | Karakorum, Sisu                                       | Black Oak, Oak | LC3   | 6-8 weeks | 38.0 kg | 38.204              | 47.755               |
|                     |   | Walnut         | LC3   | 6-8 weeks | 38.0 kg | 41.784              | 52.230               |
| <b>Fabric gr. 6</b> | Gentle  | Black Oak, Oak | LC3   | 6-8 weeks | 38.0 kg | 41.784              | 52.230               |
|                     |   | Walnut         | LC3   | 6-8 weeks | 38.0 kg | 45.964              | 57.455               |
| <b>COM Fabric</b>   | COM Fabric  | Black Oak, Oak | LC3   | 6-8 weeks | 38.0 kg | 27.456              | 34.320               |
|                     |   | Walnut         | LC3   | 6-8 weeks | 38.0 kg | 31.040              | 38.800               |

**Material:** Wood, HR foam, polyester wadding, fabric upholstery.  
**Frame:** Black water based lacquered Oak, Oiled Oak or Oiled Walnut

**Fabric usage:** 4.2 meters based on a 140cm roll.  
 COM must be approved by &Tradition to ensure suitability for upholstery.

Margas LC3 is not available in leather.  
 Felt gliders installed as standard.



# Loafer SC24

## Space Copenhagen 2019



| Price gr.    | Upholstery  | Model | Lead time | Weight   | PRICE EX. VAT (SEK) | PRICE INC. VAT (SEK) |
|--------------|---|-------|-----------|----------|---------------------|----------------------|
| Fabric gr. 1 | Hot Madison, Remix, Re-Wool                           | SC24  | 6-8 weeks | 15.50 kg | 12.532              | 15.665               |
| Fabric gr. 2 | Canvas, Barnum, Fiord, Ritz                           | SC24  | 6-8 weeks | 15.50 kg | 13.724              | 17.155               |
| Fabric gr. 3 | Clay, Hallingdal, Steelcut Quartet, Steelcut Trio     | SC24  | 6-8 weeks | 15.50 kg | 14.324              | 17.905               |
| Fabric gr. 4 | Acca, Cifrado, Ecriture, Moss, Uniform Melange, Vidar | SC24  | 6-8 weeks | 15.50 kg | 16.112              | 20.140               |
| Fabric gr. 5 | Karakorum, Sisu                                       | SC24  | 6-8 weeks | 15.50 kg | 19.696              | 24.620               |
| Fabric gr. 6 | Fuse, Gentle  | SC24  | 6-8 weeks | 15.50 kg | 21.488              | 26.860               |
| Leather      | Noble Aniline leather                                 | SC24  | 6-8 weeks | 15.50 kg | 24.472              | 30.590               |
| Leather      | Elmosoft Semi-aniline leather                         | SC24  | 6-8 weeks | 15.50 kg | 29.248              | 36.560               |
| COM          | COM Fabric  | SC24  | 6-8 weeks | 15.50 kg | 12.532              | 15.665               |

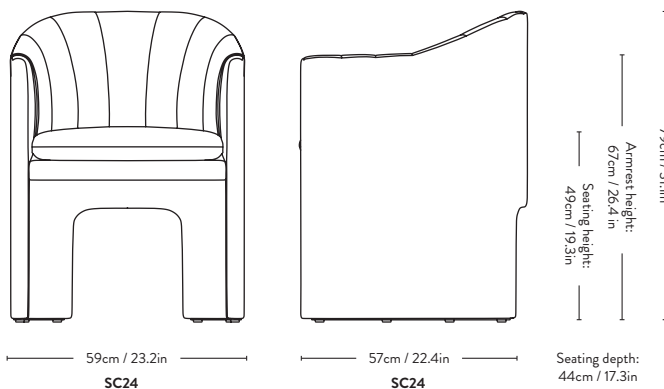
**Material:** Wood, HR foam, polyester wadding, fabric upholstery.

**Fabric usage:** 2.7 meters based on 140cm roll.

**Leather usage:** 6.4 square meters based on a yield of 60% pr hide.

COM must be approved by &Tradition to ensure suitability for upholstery.

Plastic gliders installed as standard.





# Loafer SC23

## Space Copenhagen 2018



| Price gr.     | Upholstery  | Model | Lead time | Weight   | PRICE EX. VAT (SEK) | PRICE INC. VAT (SEK) |
|---------------|---|-------|-----------|----------|---------------------|----------------------|
| Fabric gr. 1  | Hot Madison, Remix, Re-Wool                           | SC23  | 6-8 weeks | 26.00 kg | 14.920              | 18.650               |
| Fabric gr. 2  | Canvas, Barnum, Fiord, Ritz                           | SC23  | 6-8 weeks | 26.00 kg | 16.112              | 20.140               |
| Fabric gr. 3  | Clay, Hallingdal, Steelcut Quartet, Steelcut Trio     | SC23  | 6-8 weeks | 26.00 kg | 16.712              | 20.890               |
| Fabric gr. 4  | Acca, Cifrado, Ecriture, Moss, Uniform Melange, Vidar | SC23  | 6-8 weeks | 26.00 kg | 18.500              | 23.125               |
| Fabric gr. 5  | Karakorum, Sisu                                       | SC23  | 6-8 weeks | 26.00 kg | 22.084              | 27.605               |
| Fabric gr. 6  | Fuse, Gentle  | SC23  | 6-8 weeks | 26.00 kg | 24.472              | 30.590               |
| Leather       | Noble Aniline leather                                 | SC23  | 6-8 weeks | 26.00 kg | 25.664              | 32.080               |
| Leather       | Elmosoft Semi-aniline leather                         | SC23  | 6-8 weeks | 26.00 kg | 30.440              | 38.050               |
| Sheepskin MTO | Sheepskin 17mm  | SC23  | 6-8 weeks | 26.00 kg | 36.412              | 45.515               |
| COM           | COM Fabric  | SC23  | 6-8 weeks | 26.00 kg | 14.920              | 18.650               |

As with most natural materials, differences in structure, density and thickness are expected, as two pieces of sheepskin never look identical and tend to show natural variations in both curls and tones.

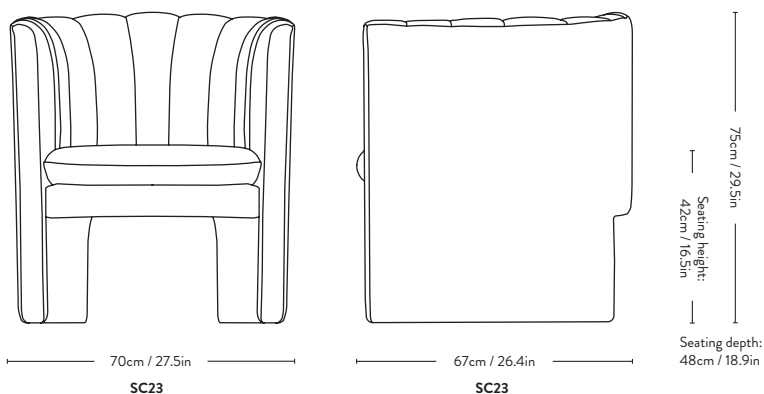
**Material:** Wood, HR foam, polyester wadding, fabric upholstery.

**Fabric usage:** 3.3 meters based on 140cm roll.

**Leather usage:** 7.7 square meters based on a yield of 60% pr hide.

COM must be approved by &Tradition to ensure suitability for upholstery.

Felt gliders installed as standard.



# Loafer SC25

## Space Copenhagen

### 2019



| Price gr.    | Upholstery  | Model | Lead time | Weight   | PRICE EX. VAT (SEK) | PRICE INC. VAT (SEK) |
|--------------|---|-------|-----------|----------|---------------------|----------------------|
| Fabric gr. 1 | Hot Madison, Remix, Re-Wool                           | SC25  | 6-8 weeks | 36.00 kg | 31.040              | 38.800               |
| Fabric gr. 2 | Canvas, Barnum, Fiord, Ritz                           | SC25  | 6-8 weeks | 36.00 kg | 34.620              | 43.275               |
| Fabric gr. 3 | Clay, Hallingdal, Steelcut Quartet, Steelcut Trio     | SC25  | 6-8 weeks | 36.00 kg | 35.816              | 44.770               |
| Fabric gr. 4 | Acca, Cifrado, Ecriture, Moss, Uniform Melange, Vidar | SC25  | 6-8 weeks | 36.00 kg | 40.592              | 50.740               |
| Fabric gr. 5 | Karakorum, Sisu                                       | SC25  | 6-8 weeks | 36.00 kg | 42.980              | 53.725               |
| Fabric gr. 6 | Fuse, Gentle  | SC25  | 6-8 weeks | 36.00 kg | 47.160              | 58.950               |
| Leather      | Noble Aniline leather                                 | SC25  | 6-8 weeks | 36.00 kg | 46.560              | 58.200               |
| Leather      | Elmosoft Semi-aniline leather                         | SC25  | 6-8 weeks | 36.00 kg | 56.112              | 70.140               |
| COM          | COM Fabric  | SC25  | 6-8 weeks | 36.00 kg | 31.040              | 38.800               |

**Material:** Wood, HR foam, polyester wadding, fabric upholstery.

**Fabric usage:** 5.8 meters based on 140cm roll.

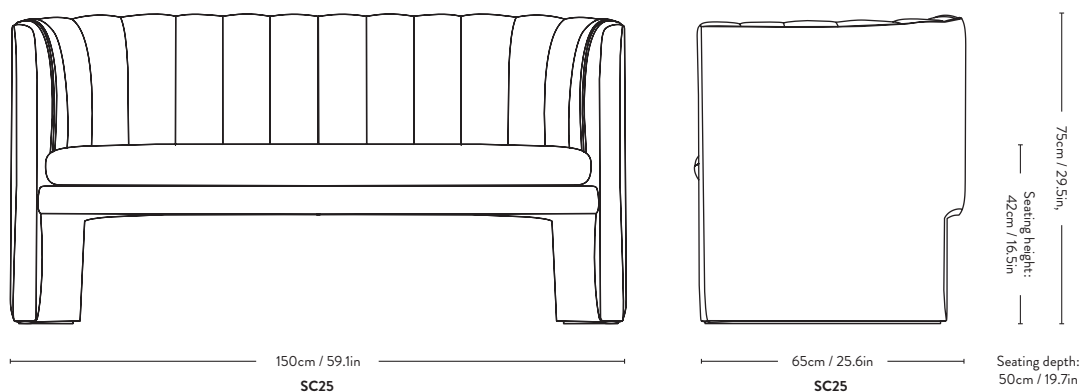
**Leather usage:** 11 square meters based on a yield of 60% pr hide.

COM must be approved by &Tradition to ensure suitability for upholstery.

Felt gliders installed as standard.

Customized sizes available upon request.

Extra height: 10% upcharge



# Loafer <sup>SC26</sup> Space Copenhagen 2019



| Price gr.    | Upholstery  | Model | Lead time | Weight   | PRICE EX. VAT (SEK) | PRICE INC. VAT (SEK) |
|--------------|---|-------|-----------|----------|---------------------|----------------------|
| Fabric gr. 1 | Hot Madison, Remix, Re-Wool                           | SC26  | 6-8 weeks | 45.00 kg | 34.024              | 42.530               |
| Fabric gr. 2 | Canvas, Barnum, Fiord, Ritz                           | SC26  | 6-8 weeks | 45.00 kg | 37.604              | 47.005               |
| Fabric gr. 3 | Clay, Hallingdal, Steelcut Quartet, Steelcut Trio     | SC26  | 6-8 weeks | 45.00 kg | 38.800              | 48.500               |
| Fabric gr. 4 | Acca, Cifrado, Ecriture, Moss, Uniform Melange, Vidar | SC26  | 6-8 weeks | 45.00 kg | 43.576              | 54.470               |
| Fabric gr. 5 | Karakorum, Sisu                                       | SC26  | 6-8 weeks | 45.00 kg | 45.964              | 57.455               |
| Fabric gr. 6 | Fuse, Gentle  | SC26  | 6-8 weeks | 45.00 kg | 50.740              | 63.425               |
| Leather      | Noble Aniline leather                                 | SC26  | 6-8 weeks | 45.00 kg | 49.548              | 61.935               |
| Leather      | Elmosoft Semi-aniline leather                         | SC26  | 6-8 weeks | 45.00 kg | 59.456              | 74.320               |
| COM          | COM Fabric  | SC26  | 6-8 weeks | 45.00 kg | 34.024              | 42.530               |

**Material:** Wood, HR foam, polyester wadding, fabric upholstery.

**Fabric usage:** 6.7 meters based on 140cm roll.

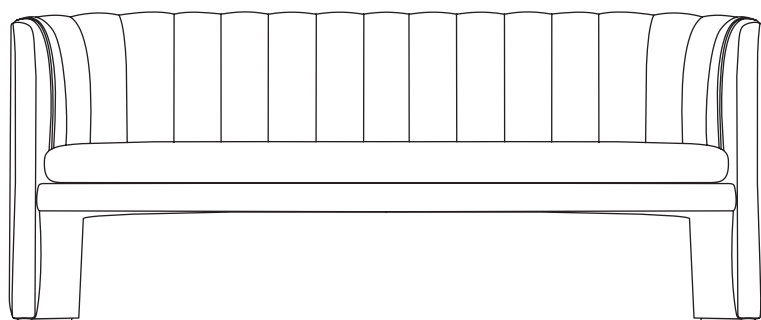
**Leather usage:** 12.7 square meters based on a yield of 60% pr hide.

COM must be approved by &Tradition to ensure suitability for upholstery.

Felt gliders installed as standard.

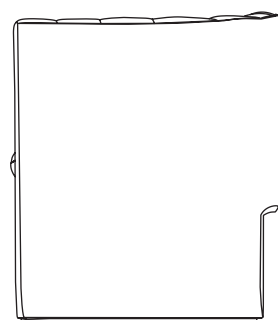
Customized sizes available upon request.

Extra height: 10% upcharge



185cm / 72.8in

SC26



65cm / 25.6in

SC26



75cm / 29.5in

Seating height:  
42cm / 16.5in

Seating depth:  
50cm / 19.7in

# Inland <sup>AV21</sup> Anderssen & Voll 2023



| Item no. | Upholstery                   | Base       | Model | Lead time  | Weight | PRICE EX. VAT (SEK) | PRICE INC. VAT (SEK) |
|----------|------------------------------|------------|-------|------------|--------|---------------------|----------------------|
| 12100300 | Noble Aniline leather Cognac | Warm Black | AV21  | Stock item | 48 kg  | 35.816              | 44.770               |

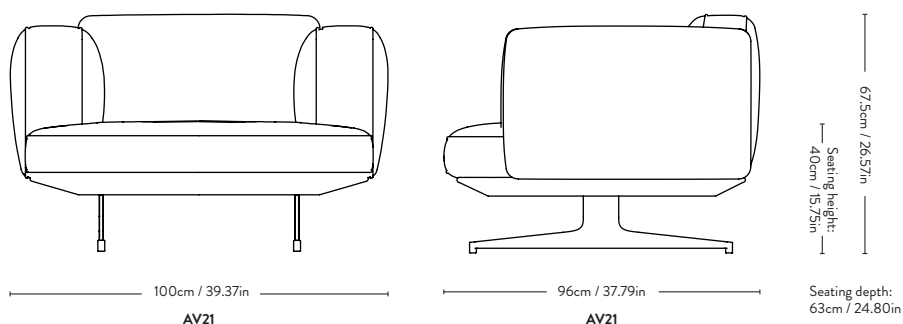
| Price gr.    | Upholstery  | Base                             | Model | Lead time              | Weight | PRICE EX. VAT (SEK) | PRICE INC. VAT (SEK) |
|--------------|---|----------------------------------|-------|------------------------|--------|---------------------|----------------------|
| Fabric gr. 1 | Hot Madison, Remix, Re-Wool                           | Warm Black<br>Polished aluminium | AV21  | 6-8 weeks<br>6-8 weeks | 48 kg  | 21.488              | 26.860               |
| Fabric gr. 2 | Canvas, Barnum, Fiord                                 | Warm Black<br>Polished aluminium | AV21  | 6-8 weeks<br>6-8 weeks | 48 kg  | 23.876              | 29.845               |
| Fabric gr. 3 | Clay, Hallingdal, Steelcut Quartet, Steelcut Trio     | Warm Black<br>Polished aluminium | AV21  | 6-8 weeks<br>6-8 weeks | 48 kg  | 24.472              | 30.590               |
| Fabric gr. 4 | Acca, Cifrado, Ecriture, Moss, Uniform Melange, Vidar | Warm Black<br>Polished aluminium | AV21  | 6-8 weeks<br>6-8 weeks | 48 kg  | 27.456              | 34.320               |
| Fabric gr. 5 | Karakorum, Sisu                                       | Warm Black<br>Polished aluminium | AV21  | 6-8 weeks<br>6-8 weeks | 48 kg  | 35.816              | 44.770               |
| Fabric gr. 6 | Fuse, Gentle  | Warm Black<br>Polished aluminium | AV21  | 6-8 weeks<br>6-8 weeks | 48 kg  | 39.396              | 49.245               |
| Leather      | Noble Aniline leather                                 | Warm Black<br>Polished aluminium | AV21  | 6-8 weeks<br>6-8 weeks | 48 kg  | 35.816              | 44.770               |
| Leather      | Elmosoft Semi-aniline leather                         | Warm Black<br>Polished aluminium | AV21  | 6-8 weeks<br>6-8 weeks | 48 kg  | 38.204              | 47.755               |
| COM          | COM Fabric  | Warm Black<br>Polished aluminium | AV21  | 6-8 weeks<br>6-8 weeks | 48 kg  | 21.488              | 26.860               |

**Material:** Wood, steel base, HR foam, polyester wadding, fabric upholstery.

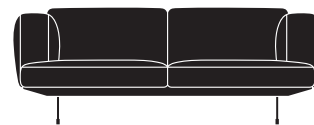
**Fabric usage:** 6.1 meters based on 140cm roll.

**Leather usage:** 10.8 square meters based on a yield of 60% pr hide.

COM must be approved by &Tradition to ensure suitability for upholstery. Felt gliders installed as standard.



# Inland <sup>AV22</sup> Anderssen & Voll 2022



| Item no. | Upholstery                   | Base       | Model | Lead time  | Weight  | PRICE EX. VAT (SEK) | PRICE INC. VAT (SEK) |
|----------|------------------------------|------------|-------|------------|---------|---------------------|----------------------|
| 12200300 | Noble Aniline leather Cognac | Warm Black | AV22  | Stock item | 78.0 kg | 47.756              | 59.695               |

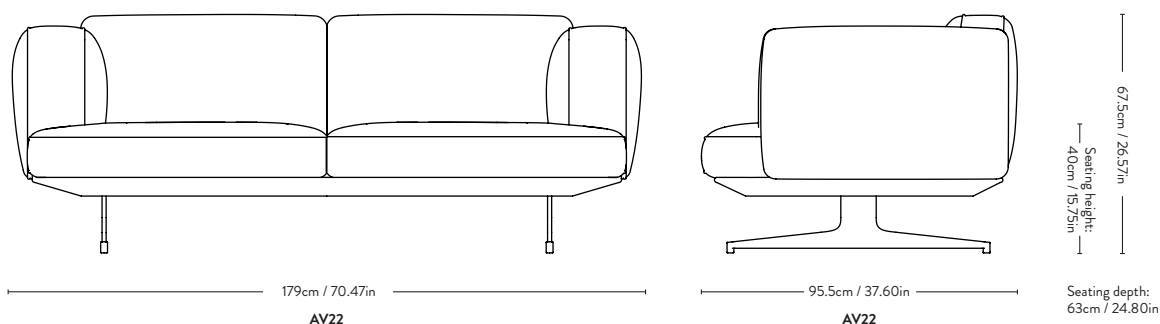
| Price gr.    | Upholstery  | Base                             | Model | Lead time              | Weight  | PRICE EX. VAT (SEK) | PRICE INC. VAT (SEK) |
|--------------|---|----------------------------------|-------|------------------------|---------|---------------------|----------------------|
| Fabric gr. 1 | Hot Madison, Remix, Re-Wool                           | Warm Black<br>Polished aluminium | AV22  | 6-8 weeks<br>6-8 weeks | 78.0 kg | 29.844              | 37.305               |
| Fabric gr. 2 | Canvas, Barnum, Fiord                                 | Warm Black<br>Polished aluminium | AV22  | 6-8 weeks<br>6-8 weeks | 78.0 kg | 32.232              | 40.290               |
| Fabric gr. 3 | Clay, Hallingdal, Steelcut Quartet, Steelcut Trio     | Warm Black<br>Polished aluminium | AV22  | 6-8 weeks<br>6-8 weeks | 78.0 kg | 33.428              | 41.785               |
| Fabric gr. 4 | Acca, Cifrado, Ecriture, Moss, Uniform Melange, Vidar | Warm Black<br>Polished aluminium | AV22  | 6-8 weeks<br>6-8 weeks | 78.0 kg | 35.816              | 44.770               |
| Fabric gr. 5 | Karakorum, Sisu                                       | Warm Black<br>Polished aluminium | AV22  | 6-8 weeks<br>6-8 weeks | 78.0 kg | 45.368              | 56.710               |
| Fabric gr. 6 | Fuse, Gentle  | Warm Black<br>Polished aluminium | AV22  | 6-8 weeks<br>6-8 weeks | 78.0 kg | 50.144              | 62.680               |
| Leather      | Noble Aniline leather                                 | Warm Black<br>Polished aluminium | AV22  | 6-8 weeks<br>6-8 weeks | 78.0 kg | 47.756              | 59.695               |
| Leather      | Elmosoft Semi-aniline leather                         | Warm Black<br>Polished aluminium | AV22  | 6-8 weeks<br>6-8 weeks | 78.0 kg | 53.724              | 67.155               |
| COM          | COM Fabric  | Warm Black<br>Polished aluminium | AV22  | 6-8 weeks<br>6-8 weeks | 78.0 kg | 29.844              | 37.305               |

**Material:** Wood, steel base, HR foam, polyester wadding, fabric upholstery.

**Fabric usage:** 7.9 meters based on 140cm roll.

**Leather usage:** 19.8 square meters based on a yield of 60% pr hide.

COM must be approved by &Tradition to ensure suitability for upholstery. Felt gliders installed as standard.



# Inland AV23 Anderssen & Voll 2022



| Item no.     | Upholstery  | Base                             | Model | Lead time              | Weight  | PRICE EX. VAT (SEK) | PRICE INC. VAT (SEK) |
|--------------|---|----------------------------------|-------|------------------------|---------|---------------------|----------------------|
| 12300300     | Noble Aniline leather Cognac                          | Warm Black                       | AV23  | Stock item             | 92.0 kg | 53.724              | 67.155               |
| Price gr.    | Upholstery  | Base                             | Model | Lead time              | Weight  | PRICE EX. VAT (SEK) | PRICE INC. VAT (SEK) |
| Fabric gr. 1 | Hot Madison, Remix, Re-Wool                           | Warm Black<br>Polished aluminium | AV23  | 6-8 weeks<br>6-8 weeks | 92.0 kg | 35.816              | 44.770               |
| Fabric gr. 2 | Canvas, Barnum, Fiord                                 | Warm Black<br>Polished aluminium | AV23  | 6-8 weeks<br>6-8 weeks | 92.0 kg | 38.204              | 47.755               |
| Fabric gr. 3 | Clay, Hallingdal, Steelcut Quartet, Steelcut Trio     | Warm Black<br>Polished aluminium | AV23  | 6-8 weeks<br>6-8 weeks | 92.0 kg | 39.396              | 49.245               |
| Fabric gr. 4 | Acca, Cifrado, Ecriture, Moss, Uniform Melange, Vidar | Warm Black<br>Polished aluminium | AV23  | 6-8 weeks<br>6-8 weeks | 92.0 kg | 41.784              | 52.230               |
| Fabric gr. 5 | Karakorum, Sisu                                       | Warm Black<br>Polished aluminium | AV23  | 6-8 weeks<br>6-8 weeks | 92.0 kg | 53.724              | 67.155               |
| Fabric gr. 6 | Fuse, Gentle  | Warm Black<br>Polished aluminium | AV23  | 6-8 weeks<br>6-8 weeks | 92.0 kg | 59.696              | 74.620               |
| Leather      | Noble Aniline leather                                 | Warm Black<br>Polished aluminium | AV23  | 6-8 weeks<br>6-8 weeks | 92.0 kg | 53.724              | 67.155               |
| Leather      | Elmosoft Semi-aniline leather                         | Warm Black<br>Polished aluminium | AV23  | 6-8 weeks<br>6-8 weeks | 92.0 kg | 59.696              | 74.620               |
| COM          | COM Fabric  | Warm Black<br>Polished aluminium | AV23  | 6-8 weeks<br>6-8 weeks | 92.0 kg | 35.816              | 44.770               |

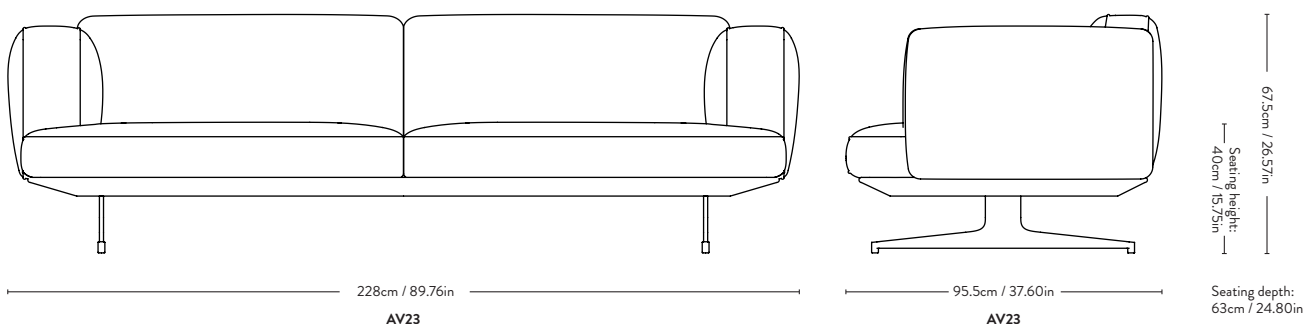
**Material:** Wood, steel base, HR foam, polyester wadding, fabric upholstery.

**Fabric usage:** 9.8 meters based on 140cm roll.

**Leather usage:** 25.3 square meters based on a yield of 60% pr hide.

COM must be approved by &Tradition to ensure suitability for upholstery.

Felt gliders installed as standard.



# Inland AV32

## Anderssen & Voll

### 2023



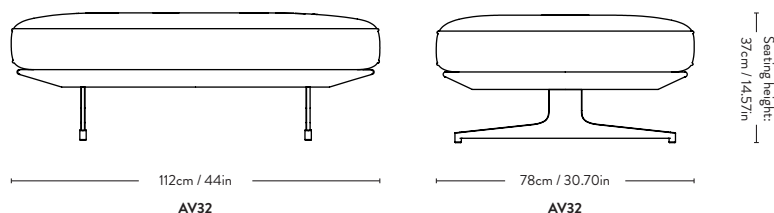
| Price gr.    | Upholstery  | Base                             | Model | Lead time              | Weight | PRICE EX. VAT (SEK) | PRICE INC. VAT (SEK) |
|--------------|---|----------------------------------|-------|------------------------|--------|---------------------|----------------------|
| Fabric gr. 1 | Hot Madison, Remix, Re-Wool                           | Warm Black<br>Polished aluminium | AV32  | 6-8 weeks<br>6-8 weeks | 29 kg  | 11.936              | 14.920               |
| Fabric gr. 2 | Canvas, Barnum, Fiord                                 | Warm Black<br>Polished aluminium | AV32  | 6-8 weeks<br>6-8 weeks | 29 kg  | 14.324              | 17.905               |
| Fabric gr. 3 | Clay, Hallingdal, Steelcut Quartet, Steelcut Trio     | Warm Black<br>Polished aluminium | AV32  | 6-8 weeks<br>6-8 weeks | 29 kg  | 14.920              | 18.650               |
| Fabric gr. 4 | Acca, Cifrado, Ecriture, Moss, Uniform Melange, Vidar | Warm Black<br>Polished aluminium | AV32  | 6-8 weeks<br>6-8 weeks | 29 kg  | 17.904              | 22.380               |
| Fabric gr. 5 | Karakorum, Sisu                                       | Warm Black<br>Polished aluminium | AV32  | 6-8 weeks<br>6-8 weeks | 29 kg  | 21.488              | 26.860               |
| Fabric gr. 6 | Fuse, Gentle  | Warm Black<br>Polished aluminium | AV32  | 6-8 weeks<br>6-8 weeks | 29 kg  | 23.876              | 29.845               |
| Leather      | Noble Aniline leather                                 | Warm Black<br>Polished aluminium | AV32  | 6-8 weeks<br>6-8 weeks | 29 kg  | 20.292              | 25.365               |
| Leather      | Elmosoft Semi-aniline leather                         | Warm Black<br>Polished aluminium | AV32  | 6-8 weeks<br>6-8 weeks | 29 kg  | 22.680              | 28.350               |
| COM          | COM Fabric  | Warm Black<br>Polished aluminium | AV32  | 6-8 weeks<br>6-8 weeks | 29 kg  | 11.936              | 14.920               |

**Material:** Wood, steel base, HR foam, polyester wadding, fabric upholstery.

**Fabric usage:** 3.6 meters based on 140cm roll.

**Leather usage:** 4.3 square meters based on a yield of 60% pr hide.

COM must be approved by &Tradition to ensure suitability for upholstery. Felt gliders installed as standard.



# Mayor <sup>AJ5</sup>

## Arne Jacobsen & Flemming Lassen 1939



| Price gr.    | Upholstery  | Model | Base   | Lead time | Weight   | PRICE EX. VAT (SEK) | PRICE INC. VAT (SEK) |
|--------------|---|-------|--------|-----------|----------|---------------------|----------------------|
| Fabric gr. 1 | Hot Madison, Remix, Re-Wool                           | AJ5   | Oak    | 6-8 weeks | 45.00 kg | 44.172              | 55.215               |
|              |   | AJ5   | Walnut | 6-8 weeks | 45.00 kg | 50.144              | 62.680               |
| Fabric gr. 2 | Canvas, Barnum, Fiord, Ritz                           | AJ5   | Oak    | 6-8 weeks | 45.00 kg | 47.756              | 59.695               |
|              |   | AJ5   | Walnut | 6-8 weeks | 45.00 kg | 53.724              | 67.155               |
| Fabric gr. 3 | Clay, Hallingdal, Steelcut Quartet, Steelcut Trio     | AJ5   | Oak    | 6-8 weeks | 45.00 kg | 48.948              | 61.185               |
|              |   | AJ5   | Walnut | 6-8 weeks | 45.00 kg | 54.920              | 68.650               |
| Fabric gr. 4 | Acca, Cifrado, Ecriture, Moss, Uniform Melange, Vidar | AJ5   | Oak    | 6-8 weeks | 45.00 kg | 51.336              | 64.170               |
|              |   | AJ5   | Walnut | 6-8 weeks | 45.00 kg | 57.308              | 71.635               |
| Fabric gr. 5 | Karakorum, Sisu                                       | AJ5   | Oak    | 6-8 weeks | 45.00 kg | 59.696              | 74.620               |
|              |   | AJ5   | Walnut | 6-8 weeks | 45.00 kg | 65.664              | 82.080               |
| Fabric gr. 6 | Fuse, Gentle  | AJ5   | Oak    | 6-8 weeks | 45.00 kg | 65.664              | 82.080               |
|              |   | AJ5   | Walnut | 6-8 weeks | 45.00 kg | 72.232              | 90.290               |
| Leather      | Noble Aniline leather                                 | AJ5   | Oak    | 6-8 weeks | 45.00 kg | 71.636              | 89.545               |
|              |   | AJ5   | Walnut | 6-8 weeks | 45.00 kg | 77.604              | 97.005               |
| Leather      | Elmosoft Semi-aniline leather                         | AJ5   | Oak    | 6-8 weeks | 45.00 kg | 85.964              | 107.455              |
|              |   | AJ5   | Walnut | 6-8 weeks | 45.00 kg | 91.936              | 114.920              |
| Sheepskin    | Sheepskin 17mm (Moonlight & Sahara)                   | AJ5   | Oak    | 6-8 weeks | 45.00 kg | 85.964              | 107.455              |
|              |   | AJ5   | Walnut | 6-8 weeks | 45.00 kg | 91.936              | 114.920              |
| Fabric COM   | COM Fabric  | AJ5   | Oak    | 6-8 weeks | 45.00 kg | 44.172              | 55.215               |
|              |   | AJ5   | Walnut | 6-8 weeks | 45.00 kg | 50.144              | 62.680               |

| Item no. | Add on  | Lead time  | Weight  | PRICE EX. VAT (SEK) | PRICE INC. VAT (SEK) |
|----------|---|------------|---------|---------------------|----------------------|
| 101015   | Mayor high legs - legs providing a seating height of 47cm.<br>*must be specified with the order | 9-10 weeks | 0.10 kg | 2.980               | 3.725                |
| 101016   | Piping & buttons in Noble Aniline leather.<br>*must be specified with the order                 | 6-8 weeks  |         | 6.560               | 8.200                |

As with most natural materials, differences in structure, density and thickness are expected, as two pieces of sheepskin never look identical and tend to show natural variations in both curls and tones.

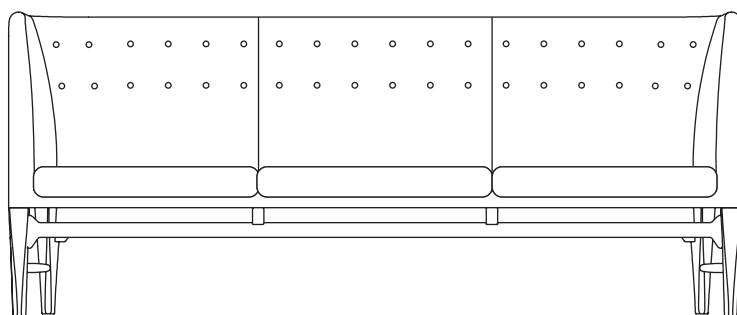
COM must be approved by &Tradition to ensure suitability for upholstery. Felt gliders installed as standard.

**Fabric usage:** 6.5 meters based on 140cm roll.

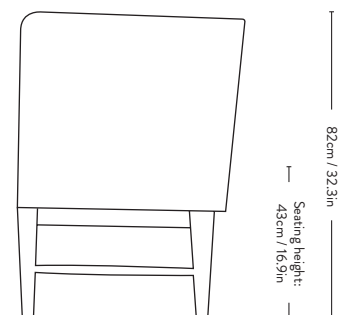
**Leather usage:** 12 square meters based on a yield of 60% pr hide.

| Base         | Finish   |
|--------------|--|
| Solid Oak    | Oiled Oak, Smoked Oiled Oak, Black Water Based Lacquered Oak |
| Solid Walnut | Oiled Walnut   |

**Material:** Solid oak or walnut base, solid beech frame, elastic belts and HR foam. Fabric or leather upholstery.



200cm / 78.7in  
AJ5



62cm / 24.4in  
AJ5

82cm / 32.3in  
Seating height:  
43cm / 16.9in  
Seating depth:  
50cm / 19.7in



# Mayor <sup>AJ6</sup>

## Arne Jacobsen & Flemming Lassen 1939



| Price gr.    | Upholstery   | Model | Base   | Lead time | Weight   | PRICE EX. VAT (SEK) | PRICE INC. VAT (SEK) |
|--------------|--|-------|--------|-----------|----------|---------------------|----------------------|
| Fabric gr. 1 | Hot Madison, Remix, Re-Wool                            | AJ6   | Oak    | 6-8 weeks | 38.00 kg | 39.396              | 49.245               |
|              |  | AJ6   | Walnut | 6-8 weeks | 38.00 kg | 44.172              | 55.215               |
| Fabric gr. 2 | Canvas, Barnum, Fiord, Ritz                            | AJ6   | Oak    | 6-8 weeks | 38.00 kg | 42.980              | 53.725               |
|              |  | AJ6   | Walnut | 6-8 weeks | 38.00 kg | 47.756              | 59.695               |
| Fabric gr. 3 | Clay, Hallingdal, Steelcut Quartet, Steelcut Trio      | AJ6   | Oak    | 6-8 weeks | 38.00 kg | 44.172              | 55.215               |
|              |  | AJ6   | Walnut | 6-8 weeks | 38.00 kg | 48.948              | 61.185               |
| Fabric gr. 4 | Acca, Cifrado, Ecriture , Moss, Uniform Melange, Vidar | AJ6   | Oak    | 6-8 weeks | 38.00 kg | 46.560              | 58.200               |
|              |  | AJ6   | Walnut | 6-8 weeks | 38.00 kg | 51.336              | 64.170               |
| Fabric gr. 5 | Karakorum, Sisu  | AJ6   | Oak    | 6-8 weeks | 38.00 kg | 52.532              | 65.665               |
|              |  | AJ6   | Walnut | 6-8 weeks | 38.00 kg | 57.308              | 71.635               |
| Fabric gr. 6 | Fuse, Gentle   | AJ6   | Oak    | 6-8 weeks | 38.00 kg | 57.904              | 72.380               |
|              |  | AJ6   | Walnut | 6-8 weeks | 38.00 kg | 63.276              | 79.095               |
| Leather      | Noble Aniline leather                                  | AJ6   | Oak    | 6-8 weeks | 38.00 kg | 60.888              | 76.110               |
|              |  | AJ6   | Walnut | 6-8 weeks | 38.00 kg | 65.664              | 82.080               |
| Leather      | Elmosoft Semi-aniline leather                          | AJ6   | Oak    | 6-8 weeks | 38.00 kg | 74.024              | 92.530               |
|              |  | AJ6   | Walnut | 6-8 weeks | 38.00 kg | 78.800              | 98.500               |
| Sheepskin    | Sheepskin 17mm (Moonlight & Sahara)                    | AJ6   | Oak    | 6-8 weeks | 38.00 kg | 74.024              | 92.530               |
|              |  | AJ6   | Walnut | 6-8 weeks | 38.00 kg | 78.800              | 98.500               |
| Fabric COM   | COM Fabric   | AJ6   | Oak    | 6-8 weeks | 38.00 kg | 39.396              | 49.245               |
|              |  | AJ6   | Walnut | 6-8 weeks | 38.00 kg | 44.172              | 55.215               |

| Item no. | Add on  | Lead time  | Weight  | PRICE EX. VAT (SEK) | PRICE INC. VAT (SEK) |
|----------|---|------------|---------|---------------------|----------------------|
| 101015   | Mayor high legs - legs providing a seating height of 47cm.<br>*must be specified with the order | 9-10 weeks | 0.10 kg | 2.980               | 3.725                |
| 101016   | Piping & buttons in Noble Aniline leather.<br>*must be specified with the order                 | 6-8 weeks  |         | 6.560               | 8.200                |

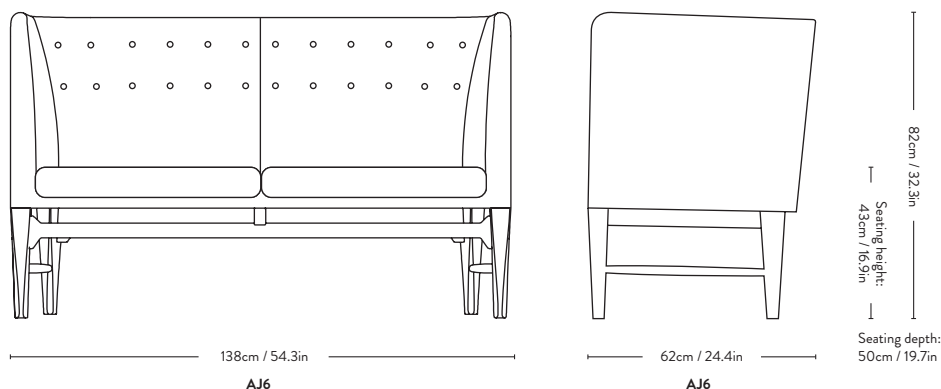
As with most natural materials, differences in structure, density and thickness are expected, as two pieces of sheepskin never look identical and tend to show natural variations in both curls and tones.

COM must be approved by &Tradition to ensure suitability for upholstery.  
Felt gliders installed as standard.

**Fabric usage:** 5 meters based on 140cm roll.  
**Leather usage:** 10 square meters based on a yield of 60% pr hide.

| Base         | Finish   |
|--------------|--|
| Solid Oak    | Oiled Oak, Smoked Oiled Oak, Black Water Based Lacquered Oak |
| Solid Walnut | Oiled Walnut   |

**Material:** Solid oak or walnut base, solid beech frame, elastic belts and HR foam.  
Fabric or leather upholstery.



# Cloud LN1

## Luca Nichetto

### 2015



| Price gr.    | Upholstery  | Model | Base                 | Lead time | Weight   | PRICE EX. VAT (SEK) | PRICE INC. VAT (SEK) |
|--------------|---|-------|----------------------|-----------|----------|---------------------|----------------------|
| Fabric gr. 1 | Hot Madison, Remix, Re-Wool                           | LN1   | Warm Black or Chrome | 6-8 weeks | 40.00 kg | 25.068              | 31.335               |
| Fabric gr. 2 | Canvas, Barnum, Fiord, Ritz                           | LN1   | Warm Black or Chrome | 6-8 weeks | 40.00 kg | 28.652              | 35.815               |
| Fabric gr. 3 | Clay, Hallingdal, Steelcut Quartet, Steelcut Trio     | LN1   | Warm Black or Chrome | 6-8 weeks | 40.00 kg | 29.248              | 36.560               |
| Fabric gr. 4 | Acca, Cifrado, Ecriture, Moss, Uniform Melange, Vidar | LN1   | Warm Black or Chrome | 6-8 weeks | 40.00 kg | 31.040              | 38.800               |
| Fabric gr. 5 | Karakorum, Sisu                                       | LN1   | Warm Black or Chrome | 6-8 weeks | 40.00 kg | 38.204              | 47.755               |
| Fabric gr. 6 | Fuse, Gentle  | LN1   | Warm Black or Chrome | 6-8 weeks | 40.00 kg | 41.784              | 52.230               |
| Leather      | Noble Aniline leather                                 | LN1   | Warm Black or Chrome | 6-8 weeks | 40.00 kg | 46.560              | 58.200               |
| Leather      | Elmosoft Semi-aniline leather                         | LN1   | Warm Black or Chrome | 6-8 weeks | 40.00 kg | 56.112              | 70.140               |
| Fabric COM   | COM Fabric  | LN1   | Warm Black or Chrome | 6-8 weeks | 40.00 kg | 25.068              | 31.335               |

#### Legs

#### Finish

|            |                          |
|------------|--------------------------|
| Solid      | Powder Coated Warm Black |
| Steel tube | Chrome                   |

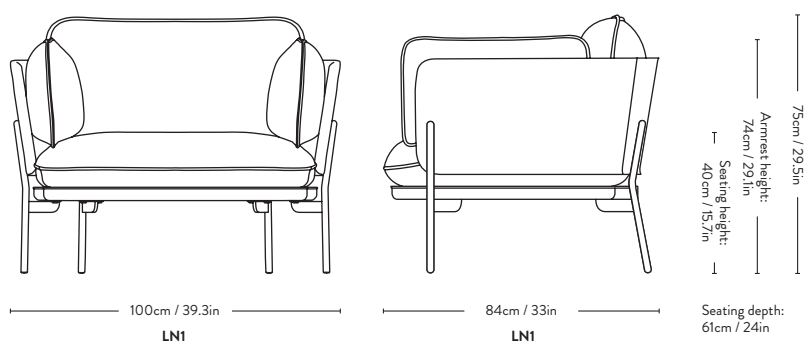
**Material:** Plywood, solid wood and steel base with no-zag springs. HR foam, polyester fibers and feather pillows. Solid steel legs. Fabric or leather upholstery.

**Fabric usage:** 6 meters based on 140cm roll.

**Leather usage:** 14 square meters based on a yield of 60% pr hide.

COM must be approved by &Tradition to ensure suitability for upholstery.

Felt gliders installed as standard.



# Cloud LN2

## Luca Nichetto

### 2015



| Price gr.    | Upholstery  | Model | Base                 | Lead time | Weight   | PRICE EX. VAT (SEK) | PRICE INC. VAT (SEK) |
|--------------|---|-------|----------------------|-----------|----------|---------------------|----------------------|
| Fabric gr. 1 | Hot Madison, Remix, Re-Wool                           | LN2   | Warm Black or Chrome | 6-8 weeks | 57.00 kg | 33.428              | 41.785               |
| Fabric gr. 2 | Canvas, Barnum, Fiord, Ritz                           | LN2   | Warm Black or Chrome | 6-8 weeks | 57.00 kg | 38.204              | 47.755               |
| Fabric gr. 3 | Clay, Hallingdal, Steelcut Quartet, Steelcut Trio     | LN2   | Warm Black or Chrome | 6-8 weeks | 57.00 kg | 39.396              | 49.245               |
| Fabric gr. 4 | Acca, Cifrado, Ecriture, Moss, Uniform Melange, Vidar | LN2   | Warm Black or Chrome | 6-8 weeks | 57.00 kg | 40.592              | 50.740               |
| Fabric gr. 5 | Karakorum, Sisu                                       | LN2   | Warm Black or Chrome | 6-8 weeks | 57.00 kg | 54.324              | 67.905               |
| Fabric gr. 6 | Fuse, Gentle  | LN2   | Warm Black or Chrome | 6-8 weeks | 57.00 kg | 59.696              | 74.620               |
| Leather      | Noble Aniline leather                                 | LN2   | Warm Black or Chrome | 6-8 weeks | 57.00 kg | 62.680              | 78.350               |
| Leather      | Elmosoft Semi-aniline leather                         | LN2   | Warm Black or Chrome | 6-8 weeks | 57.00 kg | 75.216              | 94.020               |
| Fabric COM   | COM Fabric  | LN2   | Warm Black or Chrome | 6-8 weeks | 57.00 kg | 33.428              | 41.785               |

#### Legs

#### Finish

Solid Powder Coated Warm Black  
Steel tube Chrome

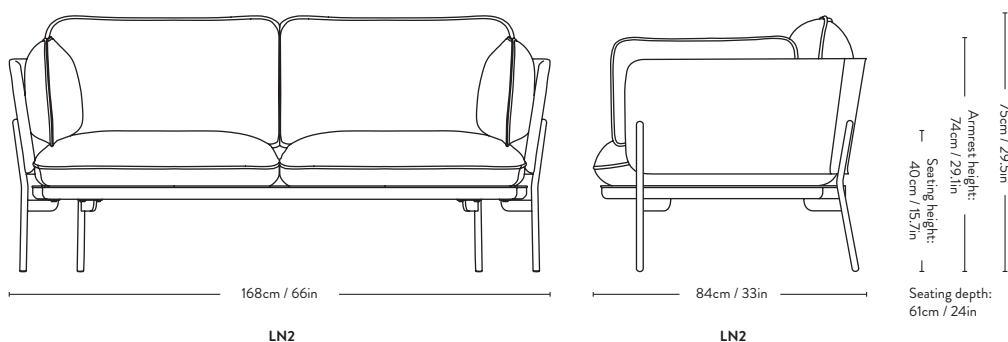
**Material:** Plywood, solid wood and steel base with no-zag springs. HR foam, polyester fibers and feather pillows. Solid steel legs. Fabric or leather upholstery.

**Fabric usage:** 8 meters based on 140cm roll.

**Leather usage:** 19 square meters based on a yield of 60% pr hide.

COM must be approved by &Tradition to ensure suitability for upholstery.

Felt gliders installed as standard.



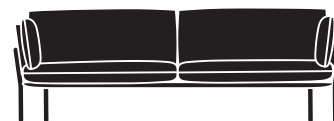
LN2

LN2

# Cloud LN3.2

## Luca Nichetto

### 2015



| Price gr.    | Upholstery  | Model | Base                 | Lead time | Weight   | PRICE EX. VAT (SEK) | PRICE INC. VAT (SEK) |
|--------------|---|-------|----------------------|-----------|----------|---------------------|----------------------|
| Fabric gr. 1 | Hot Madison, Remix, Re-Wool                           | LN3.2 | Warm Black or Chrome | 6-8 weeks | 69.00 kg | 39.996              | 49.995               |
| Fabric gr. 2 | Canvas, Barnum, Fiord, Ritz                           | LN3.2 | Warm Black or Chrome | 6-8 weeks | 69.00 kg | 45.368              | 56.710               |
| Fabric gr. 3 | Clay, Hallingdal, Steelcut Quartet, Steelcut Trio     | LN3.2 | Warm Black or Chrome | 6-8 weeks | 69.00 kg | 46.560              | 58.200               |
| Fabric gr. 4 | Acca, Cifrado, Ecriture, Moss, Uniform Melange, Vidar | LN3.2 | Warm Black or Chrome | 6-8 weeks | 69.00 kg | 49.548              | 61.935               |
| Fabric gr. 5 | Karakorum, Sisu                                       | LN3.2 | Warm Black or Chrome | 6-8 weeks | 69.00 kg | 65.664              | 82.080               |
| Fabric gr. 6 | Fuse, Gentle  | LN3.2 | Warm Black or Chrome | 6-8 weeks | 69.00 kg | 72.232              | 90.290               |
| Leather      | Noble Aniline leather                                 | LN3.2 | Warm Black or Chrome | 6-8 weeks | 69.00 kg | 69.248              | 86.560               |
| Leather      | Elmosoft Semi-aniline leather                         | LN3.2 | Warm Black or Chrome | 6-8 weeks | 69.00 kg | 83.576              | 104.470              |
| Fabric COM   | COM Fabric  | LN3.2 | Warm Black or Chrome | 6-8 weeks | 69.00 kg | 39.996              | 49.995               |

#### Legs Finish

|            |                          |
|------------|--------------------------|
| Solid      | Powder Coated Warm Black |
| Steel tube | Chrome                   |

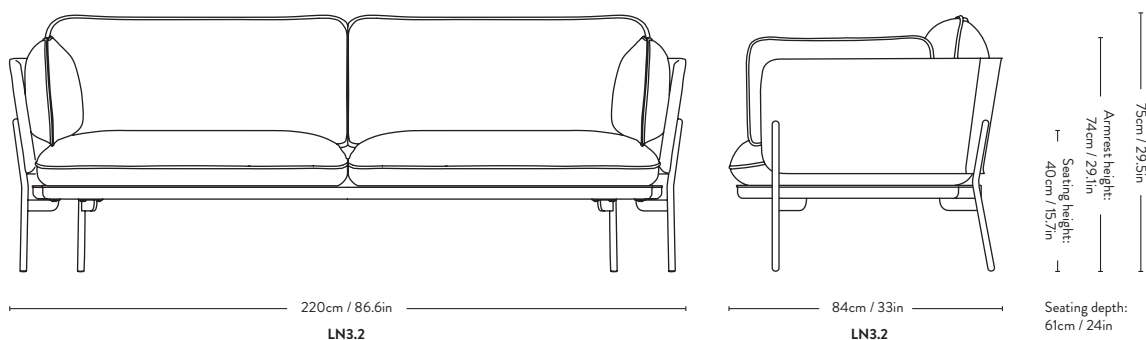
**Material:** Plywood, solid wood and steel base with no-zag springs. HR foam, polyester fibers and feather pillows. Solid steel legs. Fabric or leather upholstery.

**Fabric usage:** 11 meters based on 140cm roll.

**Leather usage:** 21 square meters based on a yield of 60% pr hide.

COM must be approved by &Tradition to ensure suitability for upholstery.

Felt gliders installed as standard.



# Cloud LN5

## Luca Nichetto

### 2018



| Price gr.    | Upholstery  | Model | Base                 | Lead time | Weight   | PRICE EX. VAT (SEK) | PRICE INC. VAT (SEK) |
|--------------|---|-------|----------------------|-----------|----------|---------------------|----------------------|
| Fabric gr. 1 | Hot Madison, Remix, Re-Wool                           | LN5   | Warm Black or Chrome | 6-8 weeks | 50.00 kg | 33.428              | 41.785               |
| Fabric gr. 2 | Canvas, Barnum, Fiord, Ritz                           | LN5   | Warm Black or Chrome | 6-8 weeks | 50.00 kg | 39.396              | 49.245               |
| Fabric gr. 3 | Clay, Hallingdal, Steelcut Quartet, Steelcut Trio     | LN5   | Warm Black or Chrome | 6-8 weeks | 50.00 kg | 39.996              | 49.995               |
| Fabric gr. 4 | Acca, Cifrado, Ecriture, Moss, Uniform Melange, Vidar | LN5   | Warm Black or Chrome | 6-8 weeks | 50.00 kg | 44.172              | 55.215               |
| Fabric gr. 5 | Karakorum, Sisu                                       | LN5   | Warm Black or Chrome | 6-8 weeks | 50.00 kg | 65.664              | 82.080               |
| Fabric gr. 6 | Fuse, Gentle  | LN5   | Warm Black or Chrome | 6-8 weeks | 50.00 kg | 71.636              | 89.545               |
| Leather      | Noble Aniline leather                                 | LN5   | Warm Black or Chrome | 6-8 weeks | 50.00 kg | 54.920              | 68.650               |
| Fabric COM   | COM Fabric  | LN5   | Warm Black or Chrome | 6-8 weeks | 50.00 kg | 33.428              | 41.785               |

| Item no. | Add on   | Lead time | Weight | PRICE EX. VAT (DKK) | PRICE INC. VAT (DKK) |
|----------|--|-----------|--------|---------------------|----------------------|
| 30310001 | Power outlet incl bracket (DK plug)<br>*must be specified with the order | 6-8 weeks |        | 2.980               | 3.725                |

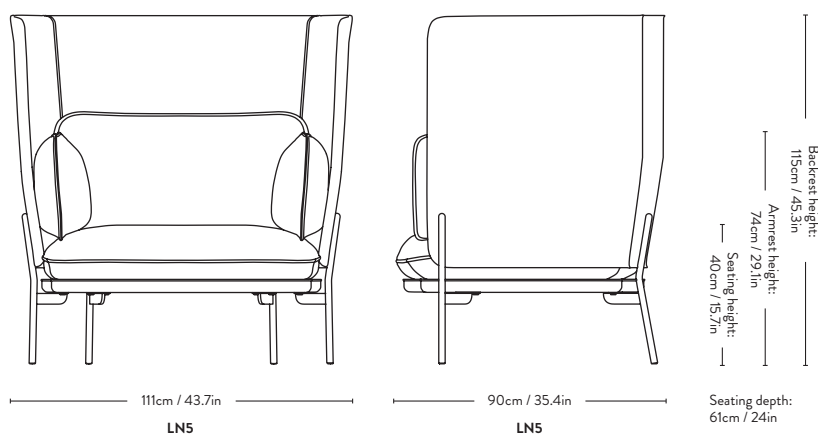
| Legs       | Finish                   |
|------------|--------------------------|
| Solid      | Powder Coated Warm Black |
| Steel tube | Chrome                   |

**Material:** Plywood, solid wood and steel base with no-zag springs. HR foam, polyester fibers and feather pillows. Solid steel legs. Fabric or leather upholstery.

**Fabric usage:** 12 meters based on 140cm roll.

COM must be approved by &Tradition to ensure suitability for upholstery.

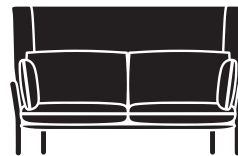
Felt gliders installed as standard.



# Cloud LN6

## Luca Nichetto

### 2017



| Price gr.    | Upholstery  | Model | Base                 | Lead time | Weight   | PRICE EX. VAT (SEK) | PRICE INC. VAT (SEK) |
|--------------|---|-------|----------------------|-----------|----------|---------------------|----------------------|
| Fabric gr. 1 | Hot Madison, Remix, Re-Wool                           | LN6   | Warm Black or Chrome | 6-8 weeks | 71.00 kg | 42.980              | 53.725               |
| Fabric gr. 2 | Canvas, Barnum, Fiord, Ritz                           | LN6   | Warm Black or Chrome | 6-8 weeks | 71.00 kg | 48.948              | 61.185               |
| Fabric gr. 3 | Clay, Hallingdal, Steelcut Quartet, Steelcut Trio     | LN6   | Warm Black or Chrome | 6-8 weeks | 71.00 kg | 50.144              | 62.680               |
| Fabric gr. 4 | Acca, Cifrado, Ecriture, Moss, Uniform Melange, Vidar | LN6   | Warm Black or Chrome | 6-8 weeks | 71.00 kg | 54.920              | 68.650               |
| Fabric gr. 5 | Karakorum, Sisu                                       | LN6   | Warm Black or Chrome | 6-8 weeks | 71.00 kg | 78.800              | 98.500               |
| Fabric gr. 6 | Fuse, Gentle  | LN6   | Warm Black or Chrome | 6-8 weeks | 71.00 kg | 86.560              | 108.200              |
| Leather      | Noble Aniline leather                                 | LN6   | Warm Black or Chrome | 6-8 weeks | 71.00 kg | 68.052              | 85.065               |
| Fabric COM   | COM Fabric  | LN6   | Warm Black or Chrome | 6-8 weeks | 71.00 kg | 42.980              | 53.725               |

| Item no. | Add on   | Lead time | Weight | PRICE EX. VAT (SEK) | PRICE INC. VAT (SEK) |
|----------|--|-----------|--------|---------------------|----------------------|
| 30310001 | Power outlet incl bracket (DK plug)<br>*must be specified with the order | 6-8 weeks |        | 2.980               | 3.725                |

#### Legs

#### Finish

Solid Powder Coated Warm Black  
Steel tube Chrome

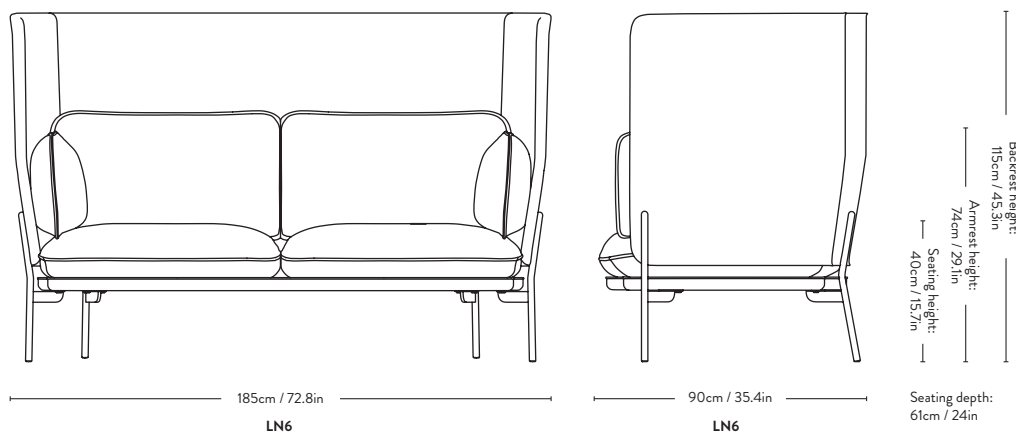
**Material:** Plywood, solid wood and steel base with no-zag springs. HR foam, polyester fibers and feather pillows. Solid steel legs. Fabric or leather upholstery.

**Fabric usage:** 17 meters based on 140cm roll.

COM must be approved by &Tradition to ensure suitability for upholstery.

Cloud LN6 is not available in COL leather.

Felt gliders installed as standard.



# Cloud LN7

## Luca Nichetto

### 2017



| Price gr.    | Upholstery  | Model | Base                 | Lead time | Weight   | PRICE EX. VAT (SEK) | PRICE INC. VAT (SEK) |
|--------------|---|-------|----------------------|-----------|----------|---------------------|----------------------|
| Fabric gr. 1 | Hot Madison, Remix, Re-Wool                           | LN7   | Warm Black or Chrome | 6-8 weeks | 85.00 kg | 48.948              | 61.185               |
| Fabric gr. 2 | Canvas, Barnum, Fiord, Ritz                           | LN7   | Warm Black or Chrome | 6-8 weeks | 85.00 kg | 56.112              | 70.140               |
| Fabric gr. 3 | Clay, Hallingdal, Steelcut Quartet, Steelcut Trio     | LN7   | Warm Black or Chrome | 6-8 weeks | 85.00 kg | 57.308              | 71.635               |
| Fabric gr. 4 | Acca, Cifrado, Ecriture, Moss, Uniform Melange, Vidar | LN7   | Warm Black or Chrome | 6-8 weeks | 85.00 kg | 64.472              | 80.590               |
| Fabric gr. 5 | Karakorum, Sisu                                       | LN7   | Warm Black or Chrome | 6-8 weeks | 85.00 kg | 95.516              | 119.395              |
| Fabric gr. 6 | Fuse, Gentle  | LN7   | Warm Black or Chrome | 6-8 weeks | 85.00 kg | 105.068             | 131.335              |
| Leather      | Noble Aniline leather                                 | LN7   | Warm Black or Chrome | 6-8 weeks | 85.00 kg | 79.996              | 99.995               |
| Fabric COM   | COM Fabric  | LN7   | Warm Black or Chrome | 6-8 weeks | 85.00 kg | 48.948              | 61.185               |

| Item no. | Add on   | Lead time | Weight | PRICE EX. VAT (SEK) | PRICE INC. VAT (SEK) |
|----------|--|-----------|--------|---------------------|----------------------|
| 30310001 | Power outlet incl bracket (DK plug)<br>*must be specified with the order | 6-8 weeks |        | 2.980               | 3.725                |

#### Legs

Solid Steel tube

#### Finish

Powder Coated Warm Black  
Chrome

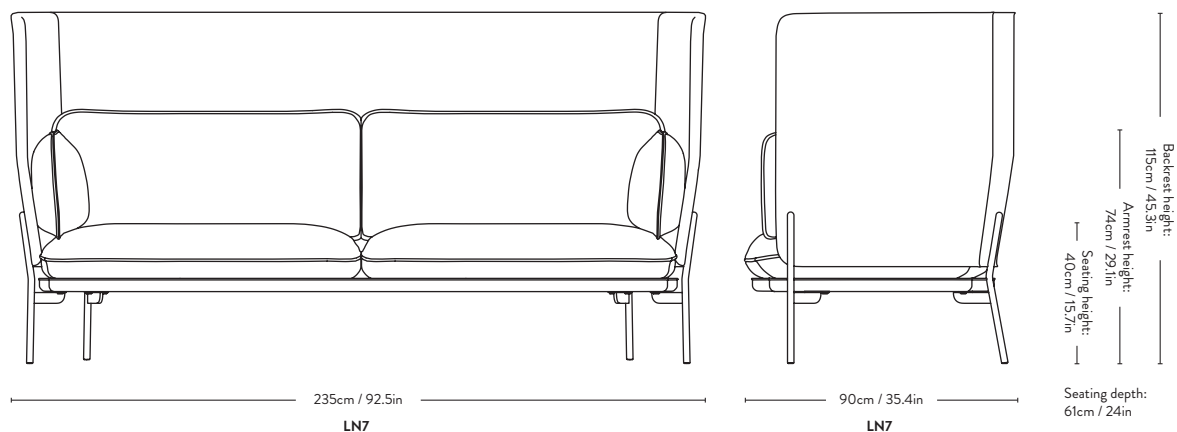
**Material:** Plywood, solid wood and steel base with no-zag springs. HR foam, polyester fibers and feather pillows. Solid steel legs. Fabric or leather upholstery.

**Fabric usage:** 18 meters based on 140cm roll.

COM must be approved by &Tradition to ensure suitability for upholstery.

Cloud LN7 is not available in COL leather.

Felt gliders installed as standard.



# Develius <sup>EV1-EV7</sup>

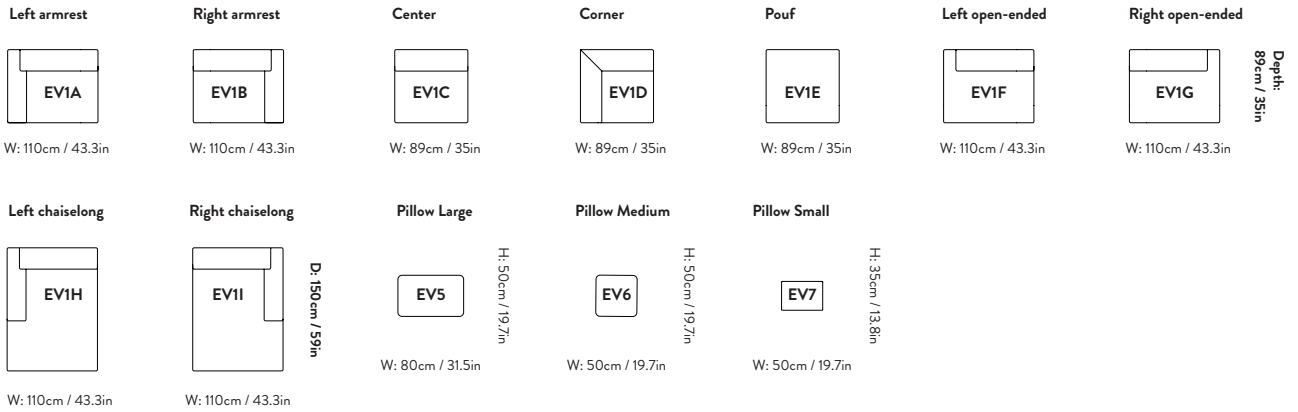
## Edward van Vliet

### 2018



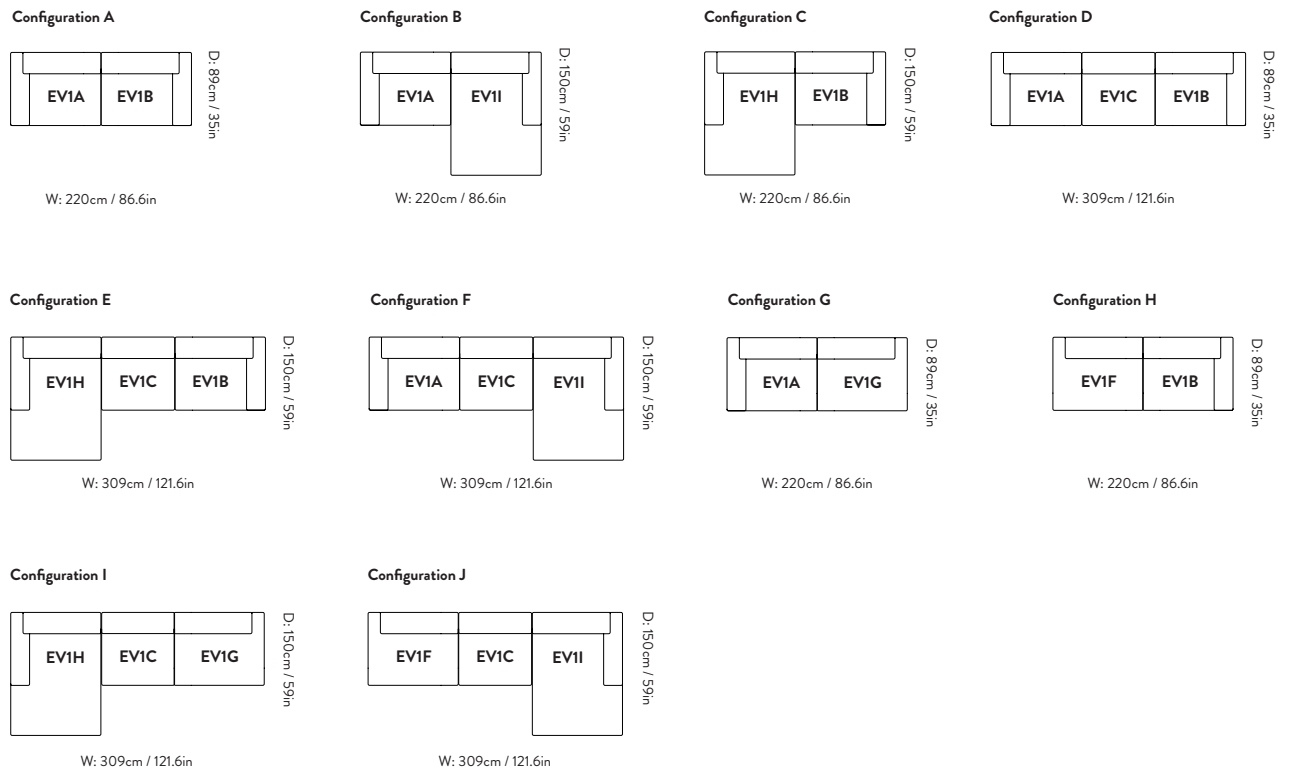
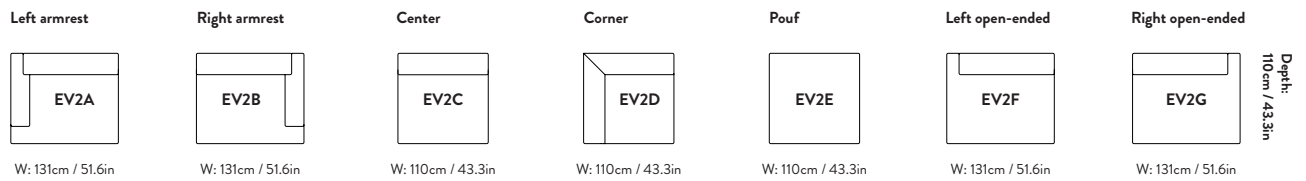
**EV1 modules:**

Seating Depth: 64cm / 25.2in, Seating Height: 42cm / 16.5in, Armrest Height: 60cm / 23.6in, Backrest Height: 70cm / 27.6in



**EV2 modules:**

Seating Depth: 85cm / 33.5in, Seating Height: 42cm / 16.5in, Armrest Height: 60cm / 23.6in, Backrest Height: 70cm / 27.6in



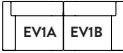
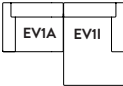
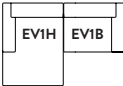

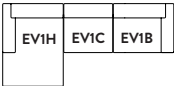
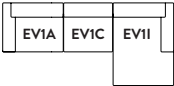


# Develius

## Edward van Vliet

### 2018



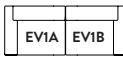
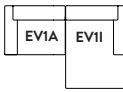
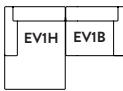
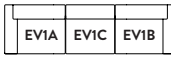
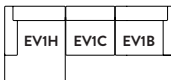
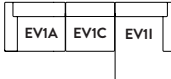
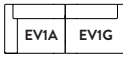
| Item no. | Model   | Upholstery      | Lead time | PRICE EX.<br>VAT (SEK) | PRICE INC.<br>VAT (SEK) |
|----------|---|-----------------|-----------|------------------------|-------------------------|
| 70341001 | Configuration A   | Hot Madison 094 | 2-4 weeks | 28.644                 | 35.805                  |
| 70361001 |    | Clay 0003       | 2-4 weeks | 32.228                 | 40.285                  |
| 70381001 |   | Hallingdal 220  | 2-4 weeks | 32.228                 | 40.285                  |
| 70341002 | Configuration B   | Hot Madison 094 | 2-4 weeks | 32.824                 | 41.030                  |
| 70361002 |    | Clay 0003       | 2-4 weeks | 36.404                 | 45.505                  |
| 70381002 |   | Hallingdal 220  | 2-4 weeks | 36.404                 | 45.505                  |
| 70341003 | Configuration C   | Hot Madison 094 | 2-4 weeks | 32.824                 | 41.030                  |
| 70361003 |    | Clay 0003       | 2-4 weeks | 36.404                 | 45.505                  |
| 70381003 |   | Hallingdal 220  | 2-4 weeks | 36.404                 | 45.505                  |
| 70341004 | Configuration D   | Hot Madison 094 | 2-4 weeks | 40.580                 | 50.725                  |
| 70361004 |  | Clay 0003       | 2-4 weeks | 45.952                 | 57.440                  |
| 70381004 |   | Hallingdal 220  | 2-4 weeks | 45.952                 | 57.440                  |
| 70341005 | Configuration E   | Hot Madison 094 | 2-4 weeks | 44.760                 | 55.950                  |
| 70361005 |  | Clay 0003       | 2-4 weeks | 50.132                 | 62.665                  |
| 70381005 |   | Hallingdal 220  | 2-4 weeks | 50.132                 | 62.665                  |
| 70341006 | Configuration F   | Hot Madison 094 | 2-4 weeks | 44.760                 | 55.950                  |
| 70361006 |  | Clay 0003       | 2-4 weeks | 50.132                 | 62.665                  |
| 70381006 |   | Hallingdal 220  | 2-4 weeks | 50.132                 | 62.665                  |

# Develius

## Edward van Vliet

### 2018



| Model     | Product  | Upholstery  | Lead time | PRICE EX.  | PRICE INC.  |           |        |        |
|-----------|--|---|-----------|--|---|-----------|--------|--------|
|           |  |   |           | VAT (SEK)  | VAT (SEK)   |           |        |        |
| A         | Configuration A<br>   | <ul style="list-style-type: none"> <li>• Hot Madison, Remix, Re-wool</li> <li>• Canvas, Barnum, Fiord, Ritz</li> <li>• Clay, Hallingdal, Steelcut Quartet, Steelcut Trio</li> <li>• Acca, Cifrado, Ecriture, Moss, Uniform Melange, Vidar</li> <li>• Karakorum, Sisu</li> <li>• Fuse, Gentle</li> <li>• Noble Aniline leather</li> <li>• COM</li> </ul> | 6-8 weeks | 28.644   | 35.805  |           |        |        |
|           |  |   | 6-8 weeks | 31.032   | 38.790  |           |        |        |
|           |  |   | 6-8 weeks | 32.228   | 40.285  |           |        |        |
|           |  |   | 6-8 weeks | 38.196   | 47.745  |           |        |        |
|           |  |   | 6-8 weeks | 57.300   | 71.625  |           |        |        |
|           |  |   | 6-8 weeks | 63.272   | 79.090  |           |        |        |
|           |  |   | 6-8 weeks | 54.912   | 68.640  |           |        |        |
|           |  |   | 6-8 weeks | 28.644   | 35.805  |           |        |        |
|           |  |   | B         | Configuration B<br>   | <ul style="list-style-type: none"> <li>• Hot Madison, Remix, Re-wool</li> <li>• Canvas, Barnum, Fiord, Ritz</li> <li>• Clay, Hallingdal, Steelcut Quartet, Steelcut Trio</li> <li>• Acca, Cifrado, Ecriture, Moss, Uniform Melange, Vidar</li> <li>• Karakorum, Sisu</li> <li>• Fuse, Gentle</li> <li>• Noble Aniline leather</li> <li>• COM</li> </ul> | 6-8 weeks | 32.824 | 41.030 |
|           |  |   |           |  |   | 6-8 weeks | 35.212 | 44.015 |
| 6-8 weeks | 36.404   | 45.505  |           |  |   |           |        |        |
| 6-8 weeks | 42.376   | 52.970  |           |  |   |           |        |        |
| 6-8 weeks | 62.676   | 78.345  |           |  |   |           |        |        |
| 6-8 weeks | 69.240   | 86.550  |           |  |   |           |        |        |
| 6-8 weeks | 61.480   | 76.850  |           |  |   |           |        |        |
| 6-8 weeks | 32.824   | 41.030  |           |  |   |           |        |        |
| C         | Configuration C<br>  | <ul style="list-style-type: none"> <li>• Hot Madison, Remix, Re-wool</li> <li>• Canvas, Barnum, Fiord, Ritz</li> <li>• Clay, Hallingdal, Steelcut Quartet, Steelcut Trio</li> <li>• Acca, Cifrado, Ecriture, Moss, Uniform Melange, Vidar</li> <li>• Karakorum, Sisu</li> <li>• Fuse, Gentle</li> <li>• Noble Aniline leather</li> <li>• COM</li> </ul> |           |  |   | 6-8 weeks | 32.824 | 41.030 |
|           |  |   |           |  |   | 6-8 weeks | 35.212 | 44.015 |
|           |  |   | 6-8 weeks | 36.404   | 45.505  |           |        |        |
|           |  |   | 6-8 weeks | 42.376   | 52.970  |           |        |        |
|           |  |   | 6-8 weeks | 62.676   | 78.345  |           |        |        |
|           |  |   | 6-8 weeks | 69.240   | 86.550  |           |        |        |
|           |  |   | 6-8 weeks | 61.480   | 76.850  |           |        |        |
|           |  |   | 6-8 weeks | 32.824   | 41.030  |           |        |        |
|           |  |   | D         | Configuration D<br> | <ul style="list-style-type: none"> <li>• Hot Madison, Remix, Re-wool</li> <li>• Canvas, Barnum, Fiord, Ritz</li> <li>• Clay, Hallingdal, Steelcut Quartet, Steelcut Trio</li> <li>• Acca, Cifrado, Ecriture, Moss, Uniform Melange, Vidar</li> <li>• Karakorum, Sisu</li> <li>• Fuse, Gentle</li> <li>• Noble Aniline leather</li> <li>• COM</li> </ul> | 6-8 weeks | 40.580 | 50.725 |
|           |  |   |           |  |   | 6-8 weeks | 44.160 | 55.200 |
| 6-8 weeks | 45.952   | 57.440  |           |  |   |           |        |        |
| 6-8 weeks | 53.712   | 67.140  |           |  |   |           |        |        |
| 6-8 weeks | 79.984   | 99.980  |           |  |   |           |        |        |
| 6-8 weeks | 88.340   | 110.425   |           |  |   |           |        |        |
| 6-8 weeks | 76.400   | 95.500  |           |  |   |           |        |        |
| 6-8 weeks | 40.580   | 50.725  |           |  |   |           |        |        |
| E         | Configuration E<br> | <ul style="list-style-type: none"> <li>• Hot Madison, Remix, Re-wool</li> <li>• Canvas, Barnum, Fiord, Ritz</li> <li>• Clay, Hallingdal, Steelcut Quartet, Steelcut Trio</li> <li>• Acca, Cifrado, Ecriture, Moss, Uniform Melange, Vidar</li> <li>• Karakorum, Sisu</li> <li>• Fuse, Gentle</li> <li>• Noble Aniline leather</li> <li>• COM</li> </ul> |           |  |   | 6-8 weeks | 44.760 | 55.950 |
|           |  |   |           |  |   | 6-8 weeks | 48.340 | 60.425 |
|           |  |   | 6-8 weeks | 50.132   | 62.665  |           |        |        |
|           |  |   | 6-8 weeks | 57.892   | 72.365  |           |        |        |
|           |  |   | 6-8 weeks | 85.356   | 106.695   |           |        |        |
|           |  |   | 6-8 weeks | 94.312   | 117.890   |           |        |        |
|           |  |   | 6-8 weeks | 82.968   | 103.710   |           |        |        |
|           |  |   | 6-8 weeks | 44.760   | 55.950  |           |        |        |
|           |  |   | F         | Configuration F<br> | <ul style="list-style-type: none"> <li>• Hot Madison, Remix, Re-wool</li> <li>• Canvas, Barnum, Fiord, Ritz</li> <li>• Clay, Hallingdal, Steelcut Quartet, Steelcut Trio</li> <li>• Acca, Cifrado, Ecriture, Moss, Uniform Melange, Vidar</li> <li>• Karakorum, Sisu</li> <li>• Fuse, Gentle</li> <li>• Noble Aniline leather</li> <li>• COM</li> </ul> | 6-8 weeks | 44.760 | 55.950 |
|           |  |   |           |  |   | 6-8 weeks | 48.340 | 60.425 |
| 6-8 weeks | 50.132   | 62.665  |           |  |   |           |        |        |
| 6-8 weeks | 57.892   | 72.365  |           |  |   |           |        |        |
| 6-8 weeks | 85.356   | 106.695   |           |  |   |           |        |        |
| 6-8 weeks | 94.312   | 117.890   |           |  |   |           |        |        |
| 6-8 weeks | 82.968   | 103.710   |           |  |   |           |        |        |
| 6-8 weeks | 44.760   | 55.950  |           |  |   |           |        |        |
| G         | Configuration G<br> | <ul style="list-style-type: none"> <li>• Hot Madison, Remix, Re-wool</li> <li>• Canvas, Barnum, Fiord, Ritz</li> <li>• Clay, Hallingdal, Steelcut Quartet, Steelcut Trio</li> <li>• Acca, Cifrado, Ecriture, Moss, Uniform Melange, Vidar</li> <li>• Karakorum, Sisu</li> <li>• Fuse, Gentle</li> <li>• Noble Aniline leather</li> <li>• COM</li> </ul> |           |  |   | 6-8 weeks | 28.048 | 35.060 |
|           |  |   |           |  |   | 6-8 weeks | 30.436 | 38.045 |
|           |  |   | 6-8 weeks | 31.628   | 39.535  |           |        |        |
|           |  |   | 6-8 weeks | 37.004   | 46.255  |           |        |        |
|           |  |   | 6-8 weeks | 54.316   | 67.895  |           |        |        |
|           |  |   | 6-8 weeks | 60.288   | 75.360  |           |        |        |
|           |  |   | 6-8 weeks | 53.720   | 67.150  |           |        |        |
|           |  |   | 6-8 weeks | 28.048   | 35.060  |           |        |        |

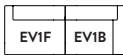
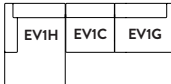
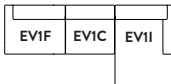
# Develius



## Edward van Vliet

### 2018



| Model   | Product   | Upholstery  | Lead time  | PRICE EX.                     | PRICE INC. |        |        |
|---|---|---|--|-------------------------------|------------|--------|--------|
|   |   |   |  | VAT (SEK)                     | VAT (SEK)  |        |        |
| H   | Configuration H<br>  | • Hot Madison, Remix, Re-wool                           | 6-8 weeks  | 28.048                        | 35.060     |        |        |
|   |   | • Canvas, Barnum, Fiord, Ritz                           | 6-8 weeks  | 30.436                        | 38.045     |        |        |
|   |   | • Clay, Hallingdal, Steelcut Quartet, Steelcut Trio     | 6-8 weeks  | 31.628                        | 39.535     |        |        |
|   |   | • Acca, Cifrado, Ecriture, Moss, Uniform Melange, Vidar | 6-8 weeks  | 37.004                        | 46.255     |        |        |
|   |   | • Karakorum, Sisu                                       | 6-8 weeks  | 54.316                        | 67.895     |        |        |
|   |   | • Fuse, Gentle  | 6-8 weeks  | 60.288                        | 75.360     |        |        |
|   |   | • Noble Aniline leather                                 | 6-8 weeks  | 53.720                        | 67.150     |        |        |
|   |   | • COM   | 6-8 weeks  | 28.048                        | 35.060     |        |        |
|   |   | I   | Configuration I<br> | • Hot Madison, Remix, Re-wool | 6-8 weeks  | 44.160 | 55.200 |
|   |   |   |  | • Canvas, Barnum, Fiord, Ritz | 6-8 weeks  | 47.744 | 59.680 |
| • Clay, Hallingdal, Steelcut Quartet, Steelcut Trio     | 6-8 weeks   |   |  | 49.536                        | 61.920     |        |        |
| • Acca, Cifrado, Ecriture, Moss, Uniform Melange, Vidar | 6-8 weeks   |   |  | 56.700                        | 70.875     |        |        |
| • Karakorum, Sisu                                       | 6-8 weeks   |   |  | 82.372                        | 102.965    |        |        |
| • Fuse, Gentle  | 6-8 weeks   |   |  | 91.324                        | 114.155    |        |        |
| • Noble Aniline leather                                 | 6-8 weeks   |   |  | 81.772                        | 102.215    |        |        |
| • COM   | 6-8 weeks   |   |  | 44.160                        | 55.200     |        |        |
| J   | Configuration J<br> |   |  | • Hot Madison, Remix, Re-wool | 6-8 weeks  | 44.160 | 55.200 |
|   |   |   |  | • Canvas, Barnum, Fiord, Ritz | 6-8 weeks  | 47.744 | 59.680 |
|   |   | • Clay, Hallingdal, Steelcut Quartet, Steelcut Trio     | 6-8 weeks  | 49.536                        | 61.920     |        |        |
|   |   | • Acca, Cifrado, Ecriture, Moss, Uniform Melange, Vidar | 6-8 weeks  | 56.700                        | 70.875     |        |        |
|   |   | • Karakorum, Sisu                                       | 6-8 weeks  | 82.372                        | 102.965    |        |        |
|   |   | • Fuse, Gentle  | 6-8 weeks  | 91.324                        | 114.155    |        |        |
|   |   | • Noble Aniline leather                                 | 6-8 weeks  | 81.772                        | 102.215    |        |        |
|   |   | • COM   | 6-8 weeks  | 44.160                        | 55.200     |        |        |

**Material:** Wooden frame, no-zag springs, HR foam and polyester wadding. Metal brackets for connecting modules.

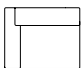


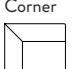

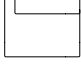
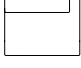
Felt gliders installed as standard.

Develius <sup>EV1A-EV1I</sup> 

Edward van Vliet

2018




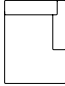
| Model | Product   | Upholstery  | Lead time | Weight   | PRICE EX. VAT (SEK) | PRICE INC. VAT (SEK) |
|-------|---|---|-----------|----------|---------------------|----------------------|
| EV1A  | Left armrest<br><br><br>Fabric usage: 5.1m*<br>Leather consumption: 9.2 sqm*     | • Hot Madison, Remix, Re-wool                           | 6-8 weeks | 50.00 kg | 14.324              | 17.905               |
|       |   | • Canvas, Barnum, Fiord, Ritz                           | 6-8 weeks | 50.00 kg | 15.516              | 19.395               |
|       |   | • Clay, Hallingdal, Steelcut Quartet, Steelcut Trio     | 6-8 weeks | 50.00 kg | 16.112              | 20.140               |
|       |   | • Acca, Cifrado, Ecriture, Moss, Uniform Melange, Vidar | 6-8 weeks | 50.00 kg | 19.100              | 23.875               |
|       |   | • Karakorum, Sisu                                       | 6-8 weeks | 50.00 kg | 28.652              | 35.815               |
|       |   | • Fuse, Gentle  | 6-8 weeks | 50.00 kg | 31.636              | 39.545               |
|       |   | • Noble Aniline leather                                 | 6-8 weeks | 50.00 kg | 27.456              | 34.320               |
|       |   | • COM   | 6-8 weeks | 50.00 kg | 14.324              | 17.905               |
| EV1B  | Right armrest<br><br><br>Fabric usage: 5.1m*<br>Leather consumption: 9.2 sqm*    | • Hot Madison, Remix, Re-wool                           | 6-8 weeks | 50.00 kg | 14.324              | 17.905               |
|       |   | • Canvas, Barnum, Fiord, Ritz                           | 6-8 weeks | 50.00 kg | 15.516              | 19.395               |
|       |   | • Clay, Hallingdal, Steelcut Quartet, Steelcut Trio     | 6-8 weeks | 50.00 kg | 16.112              | 20.140               |
|       |   | • Acca, Cifrado, Ecriture, Moss, Uniform Melange, Vidar | 6-8 weeks | 50.00 kg | 19.100              | 23.875               |
|       |   | • Karakorum, Sisu                                       | 6-8 weeks | 50.00 kg | 28.652              | 35.815               |
|       |   | • Fuse, Gentle  | 6-8 weeks | 50.00 kg | 31.636              | 39.545               |
|       |   | • Noble Aniline leather                                 | 6-8 weeks | 50.00 kg | 27.456              | 34.320               |
|       |   | • COM   | 6-8 weeks | 50.00 kg | 14.324              | 17.905               |
| EV1C  | Center<br><br><br>Fabric usage: 3.7m*<br>Leather consumption: 7 sqm*            | • Hot Madison, Remix, Re-wool                           | 6-8 weeks | 35.00 kg | 11.936              | 14.920               |
|       |   | • Canvas, Barnum, Fiord, Ritz                           | 6-8 weeks | 35.00 kg | 13.128              | 16.410               |
|       |   | • Clay, Hallingdal, Steelcut Quartet, Steelcut Trio     | 6-8 weeks | 35.00 kg | 13.724              | 17.155               |
|       |   | • Acca, Cifrado, Ecriture, Moss, Uniform Melange, Vidar | 6-8 weeks | 35.00 kg | 15.516              | 19.395               |
|       |   | • Karakorum, Sisu                                       | 6-8 weeks | 35.00 kg | 22.680              | 28.350               |
|       |   | • Fuse, Gentle  | 6-8 weeks | 35.00 kg | 25.068              | 31.335               |
|       |   | • Noble Aniline leather                                 | 6-8 weeks | 35.00 kg | 21.488              | 26.860               |
|       |   | • COM   | 6-8 weeks | 35.00 kg | 11.936              | 14.920               |
| EV1D  | Corner<br><br><br>Fabric usage: 4.5m*<br>Leather consumption: 8.1 sqm*         | • Hot Madison, Remix, Re-wool                           | 6-8 weeks | 43.00 kg | 14.324              | 17.905               |
|       |   | • Canvas, Barnum, Fiord, Ritz                           | 6-8 weeks | 43.00 kg | 15.516              | 19.395               |
|       |   | • Clay, Hallingdal, Steelcut Quartet, Steelcut Trio     | 6-8 weeks | 43.00 kg | 16.112              | 20.140               |
|       |   | • Acca, Cifrado, Ecriture, Moss, Uniform Melange, Vidar | 6-8 weeks | 43.00 kg | 19.100              | 23.875               |
|       |   | • Karakorum, Sisu                                       | 6-8 weeks | 43.00 kg | 28.652              | 35.815               |
|       |   | • Fuse, Gentle  | 6-8 weeks | 43.00 kg | 31.636              | 39.545               |
|       |   | • Noble Aniline leather                                 | 6-8 weeks | 43.00 kg | 27.456              | 34.320               |
|       |   | • COM   | 6-8 weeks | 43.00 kg | 14.324              | 17.905               |
| EV1E  | Pouf<br><br><br>Fabric usage: 2.9m*<br>Leather consumption: 5.8 sqm*           | • Hot Madison, Remix, Re-wool                           | 6-8 weeks | 26.00 kg | 10.144              | 12.680               |
|       |   | • Canvas, Barnum, Fiord, Ritz                           | 6-8 weeks | 26.00 kg | 11.336              | 14.170               |
|       |   | • Clay, Hallingdal, Steelcut Quartet, Steelcut Trio     | 6-8 weeks | 26.00 kg | 11.936              | 14.920               |
|       |   | • Acca, Cifrado, Ecriture, Moss, Uniform Melange, Vidar | 6-8 weeks | 26.00 kg | 12.532              | 15.665               |
|       |   | • Karakorum, Sisu                                       | 6-8 weeks | 26.00 kg | 16.112              | 20.140               |
|       |   | • Fuse, Gentle  | 6-8 weeks | 26.00 kg | 17.904              | 22.380               |
|       |   | • Noble Aniline leather                                 | 6-8 weeks | 26.00 kg | 16.712              | 20.890               |
|       |   | • COM   | 6-8 weeks | 26.00 kg | 10.144              | 12.680               |
| EV1F  | Left open-ended<br><br><br>Fabric usage: 4.2m*<br>Leather consumption: 8 sqm*  | • Hot Madison, Remix, Re-wool                           | 6-8 weeks | 43.00 kg | 13.724              | 17.155               |
|       |   | • Canvas, Barnum, Fiord, Ritz                           | 6-8 weeks | 43.00 kg | 14.920              | 18.650               |
|       |   | • Clay, Hallingdal, Steelcut Quartet, Steelcut Trio     | 6-8 weeks | 43.00 kg | 15.516              | 19.395               |
|       |   | • Acca, Cifrado, Ecriture, Moss, Uniform Melange, Vidar | 6-8 weeks | 43.00 kg | 17.904              | 22.380               |
|       |   | • Karakorum, Sisu                                       | 6-8 weeks | 43.00 kg | 25.664              | 32.080               |
|       |   | • Fuse, Gentle  | 6-8 weeks | 43.00 kg | 28.652              | 35.815               |
|       |   | • Noble Aniline leather                                 | 6-8 weeks | 43.00 kg | 26.264              | 32.830               |
|       |   | • COM   | 6-8 weeks | 43.00 kg | 13.724              | 17.155               |
| EV1G  | Right open-ended<br><br><br>Fabric usage: 4.2m*<br>Leather consumption: 8 sqm* | • Hot Madison, Remix, Re-wool                           | 6-8 weeks | 43.00 kg | 13.724              | 17.155               |
|       |   | • Canvas, Barnum, Fiord, Ritz                           | 6-8 weeks | 43.00 kg | 14.920              | 18.650               |
|       |   | • Clay, Hallingdal, Steelcut Quartet, Steelcut Trio     | 6-8 weeks | 43.00 kg | 15.516              | 19.395               |
|       |   | • Acca, Cifrado, Ecriture, Moss, Uniform Melange, Vidar | 6-8 weeks | 43.00 kg | 17.904              | 22.380               |
|       |   | • Karakorum, Sisu                                       | 6-8 weeks | 43.00 kg | 25.664              | 32.080               |
|       |   | • Fuse, Gentle  | 6-8 weeks | 43.00 kg | 28.652              | 35.815               |
|       |   | • Noble Aniline leather                                 | 6-8 weeks | 43.00 kg | 26.264              | 32.830               |
|       |   | • COM   | 6-8 weeks | 43.00 kg | 13.724              | 17.155               |

# Develius <sup>EV1A-EV1I</sup>

## Edward van Vliet

### 2018



| Model | Product  | Upholstery  | Lead time |          | PRICE EX.     | PRICE INC.    |
|-------|--|---|-----------|----------|---------------|---------------|
|       |  |   |           |          | VAT (SEK)     | VAT (SEK)     |
| EV1H  | Left chaiselong<br><br><br>Fabric usage: 6.1m*<br>Leather consumption: 12.3 sqm*  | • Hot Madison, Remix, Re-wool                           | 6-8 weeks | 70.00 kg | <b>18.500</b> | <b>23.125</b> |
|       |  | • Canvas, Barnum, Fiord, Ritz                           | 6-8 weeks | 70.00 kg | <b>19.696</b> | <b>24.620</b> |
|       |  | • Clay, Hallingdal, Steelcut Quartet, Steelcut Trio     | 6-8 weeks | 70.00 kg | <b>20.292</b> | <b>25.365</b> |
|       |  | • Acca, Cifrado, Ecriture, Moss, Uniform Melange, Vidar | 6-8 weeks | 70.00 kg | <b>23.276</b> | <b>29.095</b> |
|       |  | • Karakorum, Sisu                                       | 6-8 weeks | 70.00 kg | <b>34.024</b> | <b>42.530</b> |
|       |  | • Fuse, Gentle  | 6-8 weeks | 70.00 kg | <b>37.604</b> | <b>47.005</b> |
|       |  | • Noble Aniline leather                                 | 6-8 weeks | 70.00 kg | <b>34.024</b> | <b>42.530</b> |
|       |  | • COM   | 6-8 weeks | 70.00 kg | <b>18.500</b> | <b>23.125</b> |
| EV1I  | Right chaiselong<br><br><br>Fabric usage: 6.1m*<br>Leather consumption: 12.3 sqm* | • Hot Madison, Remix, Re-wool                           | 6-8 weeks | 70.00 kg | <b>18.500</b> | <b>23.125</b> |
|       |  | • Canvas, Barnum, Fiord, Ritz                           | 6-8 weeks | 70.00 kg | <b>19.696</b> | <b>24.620</b> |
|       |  | • Clay, Hallingdal, Steelcut Quartet, Steelcut Trio     | 6-8 weeks | 70.00 kg | <b>20.292</b> | <b>25.365</b> |
|       |  | • Acca, Cifrado, Ecriture, Moss, Uniform Melange, Vidar | 6-8 weeks | 70.00 kg | <b>23.276</b> | <b>29.095</b> |
|       |  | • Karakorum, Sisu                                       | 6-8 weeks | 70.00 kg | <b>34.024</b> | <b>42.530</b> |
|       |  | • Fuse, Gentle  | 6-8 weeks | 70.00 kg | <b>37.604</b> | <b>47.005</b> |
|       |  | • Noble Aniline leather                                 | 6-8 weeks | 70.00 kg | <b>34.024</b> | <b>42.530</b> |
|       |  | • COM   | 6-8 weeks | 70.00 kg | <b>18.500</b> | <b>23.125</b> |

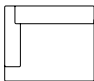
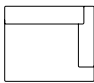
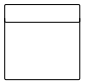
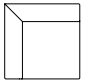

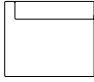

**Material:** Wooden frame, no-zag springs, HR foam and polyester wadding. Metal brackets for connecting modules.

COM must be approved by &Tradition to ensure suitability for upholstery.

Felt gliders installed as standard.

## Develius EV2A-EV2G

Edward van Vliet  
2018

| Model    | Product   | Upholstery   | Lead time | Weight   | PRICE EX.<br>VAT (SEK) | PRICE INC.<br>VAT (SEK) |
|----------|---|--|-----------|----------|------------------------|-------------------------|
| EV2A     | Left armrest<br>       | • Hot Madison, Remix, Re-wool  | 6-8 weeks | 63.00 kg | 19.100                 | 23.875                  |
|          |   | • Canvas, Barnum, Fiord, Ritz  | 6-8 weeks | 63.00 kg | 21.488                 | 26.860                  |
|          |   | • Clay, Hallingdal, Steelcut Quartet, Steelcut Trio                          | 6-8 weeks | 63.00 kg | 22.084                 | 27.605                  |
|          |   | • Acca, Cifrado, Ecriture, Moss, Uniform Melange, Vidar                      | 6-8 weeks | 63.00 kg | 24.472                 | 30.590                  |
|          |   | • Karakorum, Sisu  | 6-8 weeks | 63.00 kg | 33.428                 | 41.785                  |
|          |   | • Fuse, Gentle   | 6-8 weeks | 63.00 kg | 37.008                 | 46.260                  |
|          | Fabric usage: 5.5m*   | • COM  | 6-8 weeks | 63.00 kg | 19.100                 | 23.875                  |
| EV2B     | Right armrest<br>      | • Hot Madison, Remix, Re-wool  | 6-8 weeks | 63.00 kg | 19.100                 | 23.875                  |
|          |   | • Canvas, Barnum, Fiord, Ritz  | 6-8 weeks | 63.00 kg | 21.488                 | 26.860                  |
|          |   | • Clay, Hallingdal, Steelcut Quartet, Steelcut Trio                          | 6-8 weeks | 63.00 kg | 22.084                 | 27.605                  |
|          |   | • Acca, Cifrado, Ecriture, Moss, Uniform Melange, Vidar                      | 6-8 weeks | 63.00 kg | 24.472                 | 30.590                  |
|          |   | • Karakorum, Sisu  | 6-8 weeks | 63.00 kg | 33.428                 | 41.785                  |
|          |   | • Fuse, Gentle   | 6-8 weeks | 63.00 kg | 37.008                 | 46.260                  |
|          | Fabric usage: 5.5m*   | • COM  | 6-8 weeks | 63.00 kg | 19.100                 | 23.875                  |
| EV2C     | Center<br>            | • Hot Madison, Remix, Re-wool  | 6-8 weeks | 48.00 kg | 15.516                 | 19.395                  |
|          |   | • Canvas, Barnum, Fiord, Ritz  | 6-8 weeks | 48.00 kg | 16.712                 | 20.890                  |
|          |   | • Clay, Hallingdal, Steelcut Quartet, Steelcut Trio                          | 6-8 weeks | 48.00 kg | 17.308                 | 21.635                  |
|          |   | • Acca, Cifrado, Ecriture, Moss, Uniform Melange, Vidar                      | 6-8 weeks | 48.00 kg | 19.100                 | 23.875                  |
|          |   | • Karakorum, Sisu  | 6-8 weeks | 48.00 kg | 26.264                 | 32.830                  |
|          |   | • Fuse, Gentle   | 6-8 weeks | 48.00 kg | 28.652                 | 35.815                  |
|          | Fabric usage: 4.4m*   | • COM  | 6-8 weeks | 48.00 kg | 15.516                 | 19.395                  |
| EV2D     | Corner<br>           | • Hot Madison, Remix, Re-wool  | 6-8 weeks | 57.00 kg | 17.308                 | 21.635                  |
|          |   | • Canvas, Barnum, Fiord, Ritz  | 6-8 weeks | 57.00 kg | 18.500                 | 23.125                  |
|          |   | • Clay, Hallingdal, Steelcut Quartet, Steelcut Trio                          | 6-8 weeks | 57.00 kg | 19.100                 | 23.875                  |
|          |   | • Acca, Cifrado, Ecriture, Moss, Uniform Melange, Vidar                      | 6-8 weeks | 57.00 kg | 22.084                 | 27.605                  |
|          |   | • Karakorum, Sisu  | 6-8 weeks | 57.00 kg | 31.636                 | 39.545                  |
|          |   | • Fuse, Gentle   | 6-8 weeks | 57.00 kg | 34.620                 | 43.275                  |
|          | Fabric usage: 5.7m*   | • COM  | 6-8 weeks | 57.00 kg | 17.308                 | 21.635                  |
| EV2E     | Pouf<br>             | • Hot Madison, Remix, Re-wool  | 6-8 weeks | 32.00 kg | 13.128                 | 16.410                  |
|          |   | • Canvas, Barnum, Fiord, Ritz  | 6-8 weeks | 32.00 kg | 14.324                 | 17.905                  |
|          |   | • Clay, Hallingdal, Steelcut Quartet, Steelcut Trio                          | 6-8 weeks | 32.00 kg | 14.920                 | 18.650                  |
|          |   | • Acca, Cifrado, Ecriture, Moss, Uniform Melange, Vidar                      | 6-8 weeks | 32.00 kg | 16.712                 | 20.890                  |
|          |   | • Karakorum, Sisu  | 6-8 weeks | 32.00 kg | 21.488                 | 26.860                  |
|          |   | • Fuse, Gentle   | 6-8 weeks | 32.00 kg | 23.876                 | 29.845                  |
|          | Fabric usage: 3.6m*   | • COM  | 6-8 weeks | 32.00 kg | 13.128                 | 16.410                  |
| EV2F     | Left open-ended<br>  | • Hot Madison, Remix, Re-wool  | 6-8 weeks | 57.00 kg | 18.500                 | 23.125                  |
|          |   | • Canvas, Barnum, Fiord, Ritz  | 6-8 weeks | 57.00 kg | 20.292                 | 25.365                  |
|          |   | • Clay, Hallingdal, Steelcut Quartet, Steelcut Trio                          | 6-8 weeks | 57.00 kg | 20.888                 | 26.110                  |
|          |   | • Acca, Cifrado, Ecriture, Moss, Uniform Melange, Vidar                      | 6-8 weeks | 57.00 kg | 23.276                 | 29.095                  |
|          |   | • Karakorum, Sisu  | 6-8 weeks | 57.00 kg | 31.040                 | 38.800                  |
|          |   | • Fuse, Gentle   | 6-8 weeks | 57.00 kg | 34.024                 | 42.530                  |
|          | Fabric usage: 4.9m*   | • COM  | 6-8 weeks | 57.00 kg | 18.500                 | 23.125                  |
| EV2G     | Right open-ended<br> | • Hot Madison, Remix, Re-wool  | 6-8 weeks | 57.00 kg | 18.500                 | 23.125                  |
|          |   | • Canvas, Barnum, Fiord, Ritz  | 6-8 weeks | 57.00 kg | 20.292                 | 25.365                  |
|          |   | • Clay, Hallingdal, Steelcut Quartet, Steelcut Trio                          | 6-8 weeks | 57.00 kg | 20.888                 | 26.110                  |
|          |   | • Acca, Cifrado, Ecriture, Moss, Uniform Melange, Vidar                      | 6-8 weeks | 57.00 kg | 23.276                 | 29.095                  |
|          |   | • Karakorum, Sisu  | 6-8 weeks | 57.00 kg | 31.040                 | 38.800                  |
|          |   | • Fuse, Gentle   | 6-8 weeks | 57.00 kg | 34.024                 | 42.530                  |
|          | Fabric usage: 4.9m*   | • COM  | 6-8 weeks | 57.00 kg | 18.500                 | 23.125                  |
| 30310010 |   | Power outlet incl bracket (Schuko plug)<br>*must be specified with the order | 6-8 weeks |          | 2.980                  | 3.725                   |

\* Fabric usage is based on a 140cm roll

COM must be approved by &amp;Tradition to ensure suitability for upholstery.

**Material:** Wooden frame, no-zag springs, HR foam and polyester wadding. Metal brackets for connecting modules.Develius EV2-EV7 is not available in leather.  
Felt gliders installed as standard.

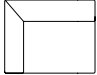

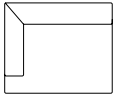
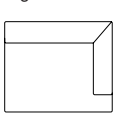
# Develius



## Edward van Vliet

### 2018



| Model | Product  | Upholstery  | Lead time | Weight    | PRICE EX. VAT (SEK) | PRICE INC. VAT (SEK) |
|-------|--|---|-----------|-----------|---------------------|----------------------|
| EV1J  | Left armrest<br><br><br>Fabric usage: 5.1m*<br>Leather consumption: 9.1 sqm*  | • Hot Madison, Remix, Re-wool                           | 6-8 weeks |           | 14.324              | 17.905               |
|       |  | • Canvas, Barnum, Fiord, Ritz                           | 6-8 weeks |           | 15.516              | 19.395               |
|       |  | • Clay, Hallingdal, Steelcut Quartet, Steelcut Trio     | 6-8 weeks |           | 16.112              | 20.140               |
|       |  | • Acca, Cifrado, Ecriture, Moss, Uniform Melange, Vidar | 6-8 weeks |           | 19.100              | 23.875               |
|       |  | • Karakorum, Sisu                                       | 6-8 weeks |           | 28.652              | 35.815               |
|       |  | • Fuse, Gentle  | 6-8 weeks |           | 31.636              | 39.545               |
|       |  | • Noble Aniline leather                                 | 6-8 weeks |           | 27.456              | 34.320               |
|       | • COM  | 6-8 weeks   |           | 14.324    | 17.905              |                      |
| EV1K  | Right armrest<br><br><br>Fabric usage: 5.1m*<br>Leather consumption: 9.1 sqm* | • Hot Madison, Remix, Re-wool                           | 6-8 weeks |           | 14.324              | 17.905               |
|       |  | • Canvas, Barnum, Fiord, Ritz                           | 6-8 weeks |           | 15.516              | 19.395               |
|       |  | • Clay, Hallingdal, Steelcut Quartet, Steelcut Trio     | 6-8 weeks |           | 16.112              | 20.140               |
|       |  | • Acca, Cifrado, Ecriture, Moss, Uniform Melange, Vidar | 6-8 weeks |           | 19.100              | 23.875               |
|       |  | • Karakorum, Sisu                                       | 6-8 weeks |           | 28.652              | 35.815               |
|       |  | • Fuse, Gentle  | 6-8 weeks |           | 31.636              | 39.545               |
|       |  | • Noble Aniline leather                                 | 6-8 weeks |           | 27.456              | 34.320               |
|       | • COM  | 6-8 weeks   |           | 14.324    | 17.905              |                      |
| EV2J  | Left armrest<br><br><br>Fabric usage: 6m*                                   | • Hot Madison, Remix, Re-wool                           | 6-8 weeks |           | 19.100              | 23.875               |
|       |  | • Canvas, Barnum, Fiord, Ritz                           | 6-8 weeks |           | 21.488              | 26.860               |
|       |  | • Clay, Hallingdal, Steelcut Quartet, Steelcut Trio     | 6-8 weeks |           | 22.084              | 27.605               |
|       |  | • Acca, Cifrado, Ecriture, Moss, Uniform Melange, Vidar | 6-8 weeks |           | 24.472              | 30.590               |
|       |  | • Karakorum, Sisu                                       | 6-8 weeks |           | 33.428              | 41.785               |
|       |  | • Fuse, Gentle  | 6-8 weeks |           | 37.008              | 46.260               |
|       |  |   | • COM     | 6-8 weeks |                     | 19.100               |
| EV2K  | Right armrest<br><br><br>Fabric usage: 6m*                                  | • Hot Madison, Remix, Re-wool                           | 6-8 weeks |           | 19.100              | 23.875               |
|       |  | • Canvas, Barnum, Fiord, Ritz                           | 6-8 weeks |           | 21.488              | 26.860               |
|       |  | • Clay, Hallingdal, Steelcut Quartet, Steelcut Trio     | 6-8 weeks |           | 22.084              | 27.605               |
|       |  | • Acca, Cifrado, Ecriture, Moss, Uniform Melange, Vidar | 6-8 weeks |           | 24.472              | 30.590               |
|       |  | • Karakorum, Sisu                                       | 6-8 weeks |           | 33.428              | 41.785               |
|       |  | • Fuse, Gentle  | 6-8 weeks |           | 37.008              | 46.260               |
|       |  |   | • COM     | 6-8 weeks |                     | 19.100               |

\* Fabric usage is based on a 140cm roll & Leather usage is based on a yield of 60% pr hide.

#### EV1 modules:

Seating Depth: 64cm / 25.2in, Seating Height: 42cm / 16.5in,  
 Armrest Height: 70cm / 23.6in, Backrest Height: 70cm / 27.6in

#### EV2 modules:

Seating Depth: 85cm / 33.5in, Seating Height: 42cm / 16.5in,  
 Armrest Height: 70cm / 23.6in, Backrest Height: 70cm / 27.6in

Left armrest



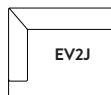
W: 110cm / 43.3in

Right armrest



W: 110cm / 43.3in

Left armrest



W: 131cm / 51.6in

Right armrest




W: 131cm / 51.6in

# Develius <sup>EV5-EV7</sup>

## Edward van Vliet

### 2018



| Model | Product   | Upholstery  | Lead time | Weight  | PRICE EX. VAT (SEK) | PRICE INC. VAT (SEK) |
|-------|---|---|-----------|---------|---------------------|----------------------|
| EV5   | Pillow, large<br>  | • Hot Madison, Remix, Re-wool                           | 6-8 weeks | 5.50 kg | 1.904               | 2.380                |
|       |   | • Canvas, Barnum, Fiord, Ritz                           | 6-8 weeks | 5.50 kg | 2.144               | 2.680                |
|       |   | • Clay, Hallingdal, Steelcut Quartet, Steelcut Trio,    | 6-8 weeks | 5.50 kg | 2.384               | 2.980                |
|       |   | • Acca, Cifrado, Ecriture, Moss, Uniform Melange, Vidar | 6-8 weeks | 5.50 kg | 2.860               | 3.575                |
|       |   | • Karakorum, Sisu                                       | 6-8 weeks | 5.50 kg | 4.412               | 5.515                |
|       |   | • Fuse, Gentle  | 6-8 weeks | 5.50 kg | 4.888               | 6.110                |
|       |   | • COM   | 6-8 weeks | 5.50 kg | 1.904               | 2.380                |
|       | Fabric usage: 1.3m*   |   |           |         |                     |                      |
| EV6   | Pillow, medium<br> | • Hot Madison, Remix, Re-wool                           | 6-8 weeks | 2.70 kg | 1.548               | 1.935                |
|       |   | • Canvas, Barnum, Fiord, Ritz                           | 6-8 weeks | 2.70 kg | 1.784               | 2.230                |
|       |   | • Clay, Hallingdal, Steelcut Quartet, Steelcut Trio,    | 6-8 weeks | 2.70 kg | 1.904               | 2.380                |
|       |   | • Acca, Cifrado, Ecriture, Moss, Uniform Melange, Vidar | 6-8 weeks | 2.70 kg | 2.144               | 2.680                |
|       |   | • Karakorum, Sisu                                       | 6-8 weeks | 2.70 kg | 3.216               | 4.020                |
|       |   | • Fuse, Gentle  | 6-8 weeks | 2.70 kg | 3.576               | 4.470                |
|       |   | • COM   | 6-8 weeks | 2.70 kg | 1.548               | 1.935                |
|       | Fabric usage: 0.8m*   |   |           |         |                     |                      |
| EV7   | Pillow, small<br> | • Hot Madison, Remix, Re-wool                           | 6-8 weeks | 1.30 kg | 1.188               | 1.485                |
|       |   | • Canvas, Barnum, Fiord, Ritz                           | 6-8 weeks | 1.30 kg | 1.308               | 1.635                |
|       |   | • Clay, Hallingdal, Steelcut Quartet, Steelcut Trio,    | 6-8 weeks | 1.30 kg | 1.428               | 1.785                |
|       |   | • Acca, Cifrado, Ecriture, Moss, Uniform Melange, Vidar | 6-8 weeks | 1.30 kg | 1.548               | 1.935                |
|       |   | • Karakorum, Sisu                                       | 6-8 weeks | 1.30 kg | 2.264               | 2.830                |
|       |   | • Fuse, Gentle  | 6-8 weeks | 1.30 kg | 2.500               | 3.125                |
|       |   | • COM   | 6-8 weeks | 1.30 kg | 1.188               | 1.485                |
|       | Fabric usage: 0.5m*   |   |           |         |                     |                      |

\* Fabric usage is based on a 140cm roll

**Material:** Feather filling

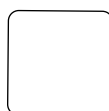
COM must be approved by &Tradition to ensure suitability for upholstery.

Develius EV2-EV7 is not available in leather.



w: 80cm / 31.5in

H: 50cm / 19.7in



w: 50cm / 19.7in

H: 50cm / 19.7in



w: 50cm / 19.7in

H: 35cm / 13.8in

EV5

EV6

EV7



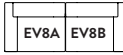
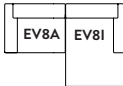
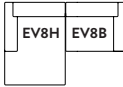
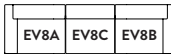
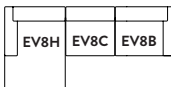
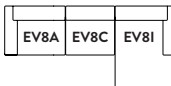
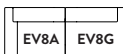
NEW

# Develius Mellow EV8A-EV8K

## Edward van Vliet

### 2018



| Model | Product  | Upholstery  | Lead time | PRICE EX. | PRICE INC. |
|-------|--|---|-----------|-----------|------------|
|       |  |   |           | VAT (SEK) | VAT (SEK)  |
| A     | Configuration A<br>   | • Hot Madison, Remix, Re-wool                           | 6-8 weeks | 33.424    | 41.780     |
|       |  | • Canvas, Barnum, Fiord, Ritz                           | 6-8 weeks | 35.808    | 44.760     |
|       |  | • Clay, Hallingdal, Steelcut Quartet, Steelcut Trio     | 6-8 weeks | 37.000    | 46.250     |
|       |  | • Acca, Cifrado, Ecriture, Moss, Uniform Melange, Vidar | 6-8 weeks | 42.976    | 53.720     |
|       |  | • Karakorum, Sisu                                       | 6-8 weeks | 62.080    | 77.600     |
|       |  | • Fuse, Gentle  | 6-8 weeks | 68.048    | 85.060     |
|       |  | • COM   | 6-8 weeks | 33.424    | 41.780     |
| B     | Configuration B<br>   | • Hot Madison, Remix, Re-wool                           | 6-8 weeks | 37.600    | 47.000     |
|       |  | • Canvas, Barnum, Fiord, Ritz                           | 6-8 weeks | 39.988    | 49.985     |
|       |  | • Clay, Hallingdal, Steelcut Quartet, Steelcut Trio     | 6-8 weeks | 41.180    | 51.475     |
|       |  | • Acca, Cifrado, Ecriture, Moss, Uniform Melange, Vidar | 6-8 weeks | 47.152    | 58.940     |
|       |  | • Karakorum, Sisu                                       | 6-8 weeks | 67.452    | 84.315     |
|       |  | • Fuse, Gentle  | 6-8 weeks | 74.020    | 92.525     |
|       |  | • COM   | 6-8 weeks | 37.600    | 47.000     |
| C     | Configuration C<br>   | • Hot Madison, Remix, Re-wool                           | 6-8 weeks | 37.600    | 47.000     |
|       |  | • Canvas, Barnum, Fiord, Ritz                           | 6-8 weeks | 39.988    | 49.985     |
|       |  | • Clay, Hallingdal, Steelcut Quartet, Steelcut Trio     | 6-8 weeks | 41.180    | 51.475     |
|       |  | • Acca, Cifrado, Ecriture, Moss, Uniform Melange, Vidar | 6-8 weeks | 47.152    | 58.940     |
|       |  | • Karakorum, Sisu                                       | 6-8 weeks | 67.452    | 84.315     |
|       |  | • Fuse, Gentle  | 6-8 weeks | 74.020    | 92.525     |
|       |  | • COM   | 6-8 weeks | 37.600    | 47.000     |
| D     | Configuration D<br> | • Hot Madison, Remix, Re-wool                           | 6-8 weeks | 47.748    | 59.685     |
|       |  | • Canvas, Barnum, Fiord, Ritz                           | 6-8 weeks | 51.324    | 64.155     |
|       |  | • Clay, Hallingdal, Steelcut Quartet, Steelcut Trio     | 6-8 weeks | 53.112    | 66.390     |
|       |  | • Acca, Cifrado, Ecriture, Moss, Uniform Melange, Vidar | 6-8 weeks | 60.880    | 76.100     |
|       |  | • Karakorum, Sisu                                       | 6-8 weeks | 87.148    | 108.935    |
|       |  | • Fuse, Gentle  | 6-8 weeks | 95.504    | 119.380    |
|       |  | • COM   | 6-8 weeks | 47.748    | 59.685     |
| E     | Configuration E<br> | • Hot Madison, Remix, Re-wool                           | 6-8 weeks | 51.924    | 64.905     |
|       |  | • Canvas, Barnum, Fiord, Ritz                           | 6-8 weeks | 55.504    | 69.380     |
|       |  | • Clay, Hallingdal, Steelcut Quartet, Steelcut Trio     | 6-8 weeks | 57.292    | 71.615     |
|       |  | • Acca, Cifrado, Ecriture, Moss, Uniform Melange, Vidar | 6-8 weeks | 65.056    | 81.320     |
|       |  | • Karakorum, Sisu                                       | 6-8 weeks | 92.520    | 115.650    |
|       |  | • Fuse, Gentle  | 6-8 weeks | 101.476   | 126.845    |
|       |  | • COM   | 6-8 weeks | 51.924    | 64.905     |
| F     | Configuration F<br> | • Hot Madison, Remix, Re-wool                           | 6-8 weeks | 51.924    | 64.905     |
|       |  | • Canvas, Barnum, Fiord, Ritz                           | 6-8 weeks | 55.504    | 69.380     |
|       |  | • Clay, Hallingdal, Steelcut Quartet, Steelcut Trio     | 6-8 weeks | 57.292    | 71.615     |
|       |  | • Acca, Cifrado, Ecriture, Moss, Uniform Melange, Vidar | 6-8 weeks | 65.056    | 81.320     |
|       |  | • Karakorum, Sisu                                       | 6-8 weeks | 92.520    | 115.650    |
|       |  | • Fuse, Gentle  | 6-8 weeks | 101.476   | 126.845    |
|       |  | • COM   | 6-8 weeks | 51.924    | 64.905     |
| G     | Configuration G<br> | • Hot Madison, Remix, Re-wool                           | 6-8 weeks | 32.824    | 41.030     |
|       |  | • Canvas, Barnum, Fiord, Ritz                           | 6-8 weeks | 35.808    | 44.760     |
|       |  | • Clay, Hallingdal, Steelcut Quartet, Steelcut Trio     | 6-8 weeks | 37.000    | 46.250     |
|       |  | • Acca, Cifrado, Ecriture, Moss, Uniform Melange, Vidar | 6-8 weeks | 41.780    | 52.225     |
|       |  | • Karakorum, Sisu                                       | 6-8 weeks | 59.092    | 73.865     |
|       |  | • Fuse, Gentle  | 6-8 weeks | 65.064    | 81.330     |
|       |  | • COM   | 6-8 weeks | 32.824    | 41.030     |

NEW

# Develius Mellow EV8A-EV8K

## Edward van Vliet

### 2018



| Model | Product             | Upholstery  | Lead time | PRICE EX. | PRICE INC. |
|-------|---------------------|---|-----------|-----------|------------|
|       |                     |   |           | VAT (SEK) | VAT (SEK)  |
| H     | Configuration H<br> | • Hot Madison, Remix, Re-wool                           | 6-8 weeks | 32.824    | 41.030     |
|       |                     | • Canvas, Barnum, Fiord, Ritz                           | 6-8 weeks | 35.808    | 44.760     |
|       |                     | • Clay, Hallingdal, Steelcut Quartet, Steelcut Trio     | 6-8 weeks | 37.000    | 46.250     |
|       |                     | • Acca, Cifrado, Ecriture, Moss, Uniform Melange, Vidar | 6-8 weeks | 41.780    | 52.225     |
|       |                     | • Karakorum, Sisu                                       | 6-8 weeks | 59.092    | 73.865     |
|       |                     | • Fuse, Gentle  | 6-8 weeks | 65.064    | 81.330     |
|       |                     | • COM   | 6-8 weeks | 32.824    | 41.030     |
| I     | Configuration I<br> | • Hot Madison, Remix, Re-wool                           | 6-8 weeks | 51.324    | 64.155     |
|       |                     | • Canvas, Barnum, Fiord, Ritz                           | 6-8 weeks | 55.504    | 69.380     |
|       |                     | • Clay, Hallingdal, Steelcut Quartet, Steelcut Trio     | 6-8 weeks | 57.292    | 71.615     |
|       |                     | • Acca, Cifrado, Ecriture, Moss, Uniform Melange, Vidar | 6-8 weeks | 63.860    | 79.825     |
|       |                     | • Karakorum, Sisu                                       | 6-8 weeks | 89.532    | 111.915    |
|       |                     | • Fuse, Gentle  | 6-8 weeks | 98.492    | 123.115    |
|       |                     | • COM   | 6-8 weeks | 51.324    | 64.155     |
| J     | Configuration J<br> | • Hot Madison, Remix, Re-wool                           | 6-8 weeks | 51.324    | 64.155     |
|       |                     | • Canvas, Barnum, Fiord, Ritz                           | 6-8 weeks | 55.504    | 69.380     |
|       |                     | • Clay, Hallingdal, Steelcut Quartet, Steelcut Trio     | 6-8 weeks | 57.292    | 71.615     |
|       |                     | • Acca, Cifrado, Ecriture, Moss, Uniform Melange, Vidar | 6-8 weeks | 63.860    | 79.825     |
|       |                     | • Karakorum, Sisu                                       | 6-8 weeks | 89.532    | 111.915    |
|       |                     | • Fuse, Gentle  | 6-8 weeks | 98.492    | 123.115    |
|       |                     | • COM   | 6-8 weeks | 51.324    | 64.155     |

**Material:** Wooden frame, no-zag springs, HR foam and polyester wadding. Metal brackets for connecting modules.

Changeable cover

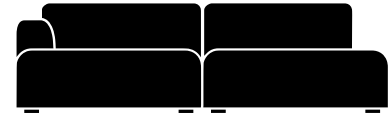
Felt gliders installed as standard.

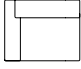
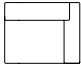
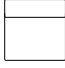
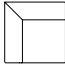

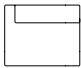
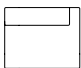
NEW

# Develius Mellow EV8A-EV8K

## Edward van Vliet

### 2018



| Model | Product  | Upholstery  | Lead time | PRICE EX. | PRICE INC. |
|-------|--|---|-----------|-----------|------------|
|       |  |   |           | VAT (SEK) | VAT (SEK)  |
| EV8A  | <br>Left armrest<br><br>Fabric usage: Xm*       | • Hot Madison, Remix, Re-wool                           | 6-8 weeks | 16.712    | 20.890     |
|       |  | • Canvas, Barnum, Fiord, Ritz                           | 6-8 weeks | 17.904    | 22.380     |
|       |  | • Clay, Hallingdal, Steelcut Quartet, Steelcut Trio     | 6-8 weeks | 18.500    | 23.125     |
|       |  | • Acca, Cifrado, Ecriture, Moss, Uniform Melange, Vidar | 6-8 weeks | 21.488    | 26.860     |
|       |  | • Karakorum, Sisu                                       | 6-8 weeks | 31.040    | 38.800     |
|       |  | • Fuse, Gentle  | 6-8 weeks | 34.024    | 42.530     |
|       |  | • COM   | 6-8 weeks | 16.712    | 20.890     |
| EV8B  | <br>Right armrest<br><br>Fabric usage: Xm*      | • Hot Madison, Remix, Re-wool                           | 6-8 weeks | 16.712    | 20.890     |
|       |  | • Canvas, Barnum, Fiord, Ritz                           | 6-8 weeks | 17.904    | 22.380     |
|       |  | • Clay, Hallingdal, Steelcut Quartet, Steelcut Trio     | 6-8 weeks | 18.500    | 23.125     |
|       |  | • Acca, Cifrado, Ecriture, Moss, Uniform Melange, Vidar | 6-8 weeks | 21.488    | 26.860     |
|       |  | • Karakorum, Sisu                                       | 6-8 weeks | 31.040    | 38.800     |
|       |  | • Fuse, Gentle  | 6-8 weeks | 34.024    | 42.530     |
|       |  | • COM   | 6-8 weeks | 16.712    | 20.890     |
| EV8C  | <br>Center<br><br>Fabric usage: Xm*             | • Hot Madison, Remix, Re-wool                           | 6-8 weeks | 14.324    | 17.905     |
|       |  | • Canvas, Barnum, Fiord, Ritz                           | 6-8 weeks | 15.516    | 19.395     |
|       |  | • Clay, Hallingdal, Steelcut Quartet, Steelcut Trio     | 6-8 weeks | 16.112    | 20.140     |
|       |  | • Acca, Cifrado, Ecriture, Moss, Uniform Melange, Vidar | 6-8 weeks | 17.904    | 22.380     |
|       |  | • Karakorum, Sisu                                       | 6-8 weeks | 25.068    | 31.335     |
|       |  | • Fuse, Gentle  | 6-8 weeks | 27.456    | 34.320     |
|       |  | • COM   | 6-8 weeks | 14.324    | 17.905     |
| EV8D  | <br>Corner<br><br>Fabric usage: Xm*           | • Hot Madison, Remix, Re-wool                           | 6-8 weeks | 16.712    | 20.890     |
|       |  | • Canvas, Barnum, Fiord, Ritz                           | 6-8 weeks | 17.904    | 22.380     |
|       |  | • Clay, Hallingdal, Steelcut Quartet, Steelcut Trio     | 6-8 weeks | 18.500    | 23.125     |
|       |  | • Acca, Cifrado, Ecriture, Moss, Uniform Melange, Vidar | 6-8 weeks | 21.488    | 26.860     |
|       |  | • Karakorum, Sisu                                       | 6-8 weeks | 31.040    | 38.800     |
|       |  | • Fuse, Gentle  | 6-8 weeks | 34.024    | 42.530     |
|       |  | • COM   | 6-8 weeks | 16.712    | 20.890     |
| EV8E  | <br>Pouf<br><br>Fabric usage: Xm*             | • Hot Madison, Remix, Re-wool                           | 6-8 weeks | 12.532    | 15.665     |
|       |  | • Canvas, Barnum, Fiord, Ritz                           | 6-8 weeks | 13.724    | 17.155     |
|       |  | • Clay, Hallingdal, Steelcut Quartet, Steelcut Trio     | 6-8 weeks | 14.324    | 17.905     |
|       |  | • Acca, Cifrado, Ecriture, Moss, Uniform Melange, Vidar | 6-8 weeks | 14.920    | 18.650     |
|       |  | • Karakorum, Sisu                                       | 6-8 weeks | 18.500    | 23.125     |
|       |  | • Fuse, Gentle  | 6-8 weeks | 20.292    | 25.365     |
|       |  | • COM   | 6-8 weeks | 12.532    | 15.665     |
| EV8F  | <br>Left open-ended<br><br>Fabric usage: Xm*  | • Hot Madison, Remix, Re-wool                           | 6-8 weeks | 16.112    | 20.140     |
|       |  | • Canvas, Barnum, Fiord, Ritz                           | 6-8 weeks | 17.904    | 22.380     |
|       |  | • Clay, Hallingdal, Steelcut Quartet, Steelcut Trio     | 6-8 weeks | 18.500    | 23.125     |
|       |  | • Acca, Cifrado, Ecriture, Moss, Uniform Melange, Vidar | 6-8 weeks | 20.292    | 25.365     |
|       |  | • Karakorum, Sisu                                       | 6-8 weeks | 28.052    | 35.065     |
|       |  | • Fuse, Gentle  | 6-8 weeks | 31.040    | 38.800     |
|       |  | • COM   | 6-8 weeks | 16.112    | 20.140     |
| EV8G  | <br>Right open-ended<br><br>Fabric usage: Xm* | • Hot Madison, Remix, Re-wool                           | 6-8 weeks | 16.112    | 20.140     |
|       |  | • Canvas, Barnum, Fiord, Ritz                           | 6-8 weeks | 17.904    | 22.380     |
|       |  | • Clay, Hallingdal, Steelcut Quartet, Steelcut Trio     | 6-8 weeks | 18.500    | 23.125     |
|       |  | • Acca, Cifrado, Ecriture, Moss, Uniform Melange, Vidar | 6-8 weeks | 20.292    | 25.365     |
|       |  | • Karakorum, Sisu                                       | 6-8 weeks | 28.052    | 35.065     |
|       |  | • Fuse, Gentle  | 6-8 weeks | 31.040    | 38.800     |
|       |  | • COM   | 6-8 weeks | 16.112    | 20.140     |

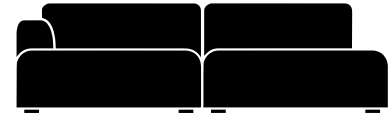
\* Fabric usage is based on a 140cm roll


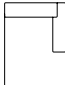
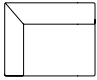
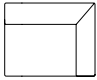
NEW

# Develius Mellow EV8A-EV8K

## Edward van Vliet

### 2018



| Model | Product  | Upholstery  | Lead time | Weight | PRICE EX. VAT (SEK) | PRICE INC. VAT (SEK) |
|-------|--|---|-----------|--------|---------------------|----------------------|
| EV8H  | <br>Left Chaiselong<br>Fabric usage: Xm*  | • Hot Madison, Remix, Re-wool                           | 6-8 weeks |        | 20.888              | 26.110               |
|       |  | • Canvas, Barnum, Fiord, Ritz                           | 6-8 weeks |        | 22.084              | 27.605               |
|       |  | • Clay, Hallingdal, Steelcut Quartet, Steelcut Trio     | 6-8 weeks |        | 22.680              | 28.350               |
|       |  | • Acca, Cifrado, Ecriture, Moss, Uniform Melange, Vidar | 6-8 weeks |        | 25.664              | 32.080               |
|       |  | • Karakorum, Sisu                                       | 6-8 weeks |        | 36.412              | 45.515               |
|       |  | • Fuse, Gentle  | 6-8 weeks |        | 39.996              | 49.995               |
|       |  | • COM   | 6-8 weeks |        | 20.888              | 26.110               |
| EV8I  | <br>Right Chaiselong<br>Fabric usage: Xm* | • Hot Madison, Remix, Re-wool                           | 6-8 weeks |        | 20.888              | 26.110               |
|       |  | • Canvas, Barnum, Fiord, Ritz                           | 6-8 weeks |        | 22.084              | 27.605               |
|       |  | • Clay, Hallingdal, Steelcut Quartet, Steelcut Trio     | 6-8 weeks |        | 22.680              | 28.350               |
|       |  | • Acca, Cifrado, Ecriture, Moss, Uniform Melange, Vidar | 6-8 weeks |        | 25.664              | 32.080               |
|       |  | • Karakorum, Sisu                                       | 6-8 weeks |        | 36.412              | 45.515               |
|       |  | • Fuse, Gentle  | 6-8 weeks |        | 39.996              | 49.995               |
|       |  | • COM   | 6-8 weeks |        | 20.888              | 26.110               |
| EV8J  | <br>Left armrest<br>Fabric usage: Xm*     | • Hot Madison, Remix, Re-wool                           | 6-8 weeks |        | 16.712              | 20.890               |
|       |  | • Canvas, Barnum, Fiord, Ritz                           | 6-8 weeks |        | 17.904              | 22.380               |
|       |  | • Clay, Hallingdal, Steelcut Quartet, Steelcut Trio     | 6-8 weeks |        | 18.500              | 23.125               |
|       |  | • Acca, Cifrado, Ecriture, Moss, Uniform Melange, Vidar | 6-8 weeks |        | 21.488              | 26.860               |
|       |  | • Karakorum, Sisu                                       | 6-8 weeks |        | 31.040              | 38.800               |
|       |  | • Fuse, Gentle  | 6-8 weeks |        | 34.024              | 42.530               |
|       |  | • COM   | 6-8 weeks |        | 16.712              | 20.890               |
| EV8K  | <br>Right armrest<br>Fabric usage: Xm*  | • Hot Madison, Remix, Re-wool                           | 6-8 weeks |        | 16.712              | 20.890               |
|       |  | • Canvas, Barnum, Fiord, Ritz                           | 6-8 weeks |        | 17.904              | 22.380               |
|       |  | • Clay, Hallingdal, Steelcut Quartet, Steelcut Trio     | 6-8 weeks |        | 18.500              | 23.125               |
|       |  | • Acca, Cifrado, Ecriture, Moss, Uniform Melange, Vidar | 6-8 weeks |        | 21.488              | 26.860               |
|       |  | • Karakorum, Sisu                                       | 6-8 weeks |        | 31.040              | 38.800               |
|       |  | • Fuse, Gentle  | 6-8 weeks |        | 34.024              | 42.530               |
|       |  | • COM   | 6-8 weeks |        | 16.712              | 20.890               |

\* Fabric usage is based on a 140cm roll

**Material:** Wooden frame, no-zag springs, HR foam and polyester wadding. Metal brackets for connecting modules.

Changeable cover

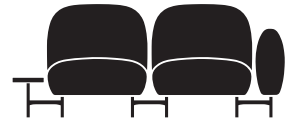
COM must be approved by &Tradition to ensure suitability for upholstery.

Felt gliders installed as standard.

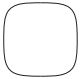

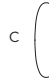


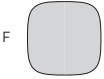
# Isole NN1A-NN1G

## Nendo & Luca Nichetto

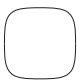
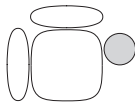
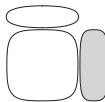

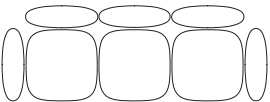
### 2017



#### Dimensions

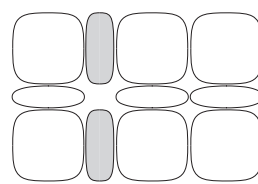
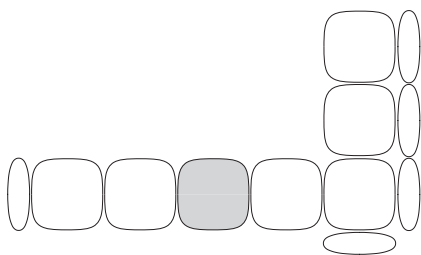
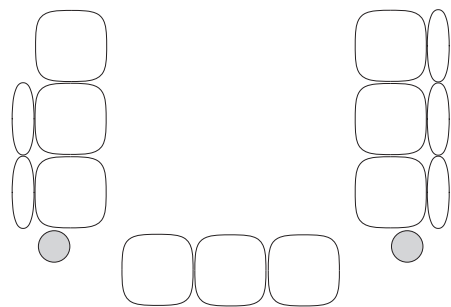
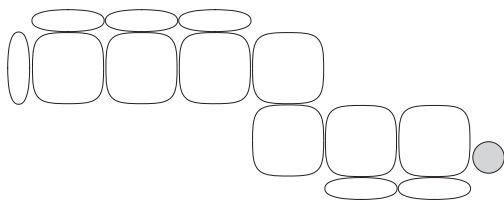
| Seat   | Back  | Armrest  | Round Table  | Rectangular Table  | Square Table   |
|--|---|--|--|--|--|
| A  D: 65cm / 25.6in | B  D: 20cm / 7.9in | C  D: 67cm / 26.4in | D  Ø: 30cm / 11.8in | E  D: 65cm / 25.6in | F  D: 65cm / 25.6in |
| W: 65cm / 25.6in   | W: 67cm / 26.4in  | W: 20cm / 7.9in  |  | w: 20cm / 7.9in  | w: 65cm / 25.6in   |

#### Simple configurations

|  |   |   |   |   |                       |
|--|---|---|---|---|-----------------------|
|  D: 65cm / 25.59in |  w: 118.6cm / 46.69in |  w: 87.5cm / 34.4in |  w: 176cm / 69.3in |  w: 242.2cm / 95.35in | D: 87.6 cm / 34.48 in |
| w: 65cm / 25.59in  |   |   |   |   |                       |

#### Configurations

Please visit: <https://isole.andtradition.com> to configure your own Isole.



# Isole NN1A-NN1G

## Nendo & Luca Nichetto

### 2017



| Item code    | Upholstery  | Model | Product | Lead time | PRICE EX. | PRICE INC. |
|--------------|---|-------|---------|-----------|-----------|------------|
|              |   |       |         |           | VAT (SEK) | VAT (SEK)  |
| Fabric gr. 1 | Hot Madison, Remix                                    | NN1A  | Seat    | 6-8 weeks | 6.560     | 8.200      |
|              |   | NN1B  | Back    | 6-8 weeks | 5.368     | 6.710      |
|              |   | NN1C  | Arm     | 6-8 weeks | 4.772     | 5.965      |
| Fabric gr. 2 | Canvas, Barnum  | NN1A  | Seat    | 6-8 weeks | 7.756     | 9.695      |
|              |   | NN1B  | Back    | 6-8 weeks | 6.560     | 8.200      |
|              |   | NN1C  | Arm     | 6-8 weeks | 5.368     | 6.710      |
| Fabric gr. 3 | Hallingdal, Steelcut Quartet, Steelcut Trio           | NN1A  | Seat    | 6-8 weeks |           |            |
|              |   | NN1B  | Back    | 6-8 weeks |           |            |
|              |   | NN1C  | Arm     | 6-8 weeks |           |            |
| Fabric gr. 4 | Acca, Cifrado, Ecriture, Moss, Uniform Melange, Vidar | NN1A  | Seat    | 6-8 weeks | 8.948     | 11.185     |
|              |   | NN1B  | Back    | 6-8 weeks | 7.756     | 9.695      |
|              |   | NN1C  | Arm     | 6-8 weeks | 6.560     | 8.200      |
| Fabric gr. 5 | Karakorum, Sisu                                       | NN1A  | Seat    | 6-8 weeks | 11.336    | 14.170     |
|              |   | NN1B  | Back    | 6-8 weeks | 8.948     | 11.185     |
|              |   | NN1C  | Arm     | 6-8 weeks | 7.756     | 9.695      |
| Fabric gr. 6 | Fuse, Gentle  | NN1A  | Seat    | 6-8 weeks | 12.532    | 15.665     |
|              |   | NN1B  | Back    | 6-8 weeks | 9.784     | 12.230     |
|              |   | NN1C  | Arm     | 6-8 weeks | 8.592     | 10.740     |

| Item code | Table top finishes   | Model | Product           | Lead time | PRICE EX. | PRICE INC. |
|-----------|--|-------|-------------------|-----------|-----------|------------|
|           |  |       |                   |           | VAT (SEK) | VAT (SEK)  |
| NN        | Fenix laminate Black   | NN1D  | Round Table       | 6-8 weeks | 4.172     | 5.215      |
|           |  | NN1E  | Rectangular Table | 6-8 weeks | 4.412     | 5.515      |
|           |  | NN1F  | Square Table      | 6-8 weeks | 6.560     | 8.200      |
| 30310001  | Power outlet incl bracket (DK plug)<br>*must be specified with the order |       |                   |           | 2.980     | 3.725      |

| Item code | Base   | Model | Lead time | PRICE EX. | PRICE INC. |
|-----------|--|-------|-----------|-----------|------------|
|           |  |       |           | VAT (SEK) | VAT (SEK)  |
| NN        | Optional floor fixing set (2 pcs in one set) | NN1G  | 3-6 weeks | 1.188     | 1.485      |

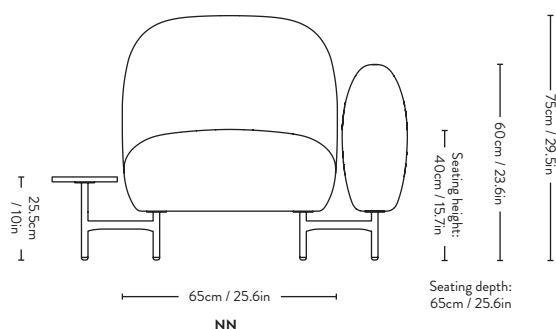
#### Base Colour

Steel Black

**Material:** Powder coated steel base, moulded HR foam seat, backrest and armrest. Black MDF table tops with nano laminate surface.

Modular system including base. Use model-app for configuration:  
<https://isole.andtradition.com>.

Plastic gliders installed as standard.



# Fly SC10

## Space Copenhagen 2017



| Item no. | Product         | Base             | Model | Colli qty. | Lead time  | Weight   | PRICE EX. VAT (SEK) | PRICE INC. VAT (SEK) |
|----------|-----------------|------------------|-------|------------|------------|----------|---------------------|----------------------|
| 65173001 | Hot Madison 094 | Oiled Oak        | SC10  | 1 pc       | Stock item | 22.00 kg | 19.100              | 23.875               |
| 65173002 | Hot Madison 093 | Smoked Oiled Oak | SC10  | 1 pc       | Stock item | 22.00 kg | 19.100              | 23.875               |

| Item no.     | Upholstery  | Model | Lead time | Weight   | PRICE EX. VAT (SEK) | PRICE INC. VAT (SEK) |
|--------------|---|-------|-----------|----------|---------------------|----------------------|
| Fabric gr. 1 | Hot Madison, Remix, Re-Wool                           | SC10  | 6-8 weeks | 22.00 kg | 20.292              | 25.365               |
| Fabric gr. 2 | Canvas, Barnum, Fiord, Ritz                           | SC10  | 6-8 weeks | 22.00 kg | 20.888              | 26.110               |
| Fabric gr. 3 | Clay, Hallingdal, Steelcut Quartet, Steelcut Trio     | SC10  | 6-8 weeks | 22.00 kg | 21.488              | 26.860               |
| Fabric gr. 4 | Acca, Cifrado, Ecriture, Moss, Uniform Melange, Vidar | SC10  | 6-8 weeks | 22.00 kg | 23.276              | 29.095               |
| Fabric gr. 5 | Karakorum, Sisu                                       | SC10  | 6-8 weeks | 22.00 kg | 26.264              | 32.830               |
| Fabric gr. 6 | Fuse, Gentle  | SC10  | 6-8 weeks | 22.00 kg | 29.248              | 36.560               |
| Fabric COM   | COM Fabric  | SC10  | 6-8 weeks | 22.00 kg | 20.292              | 25.365               |

| Item no.   | Add on   | Lead time  | Weight  | PRICE EX. VAT (SEK) | PRICE INC. VAT (SEK) |
|------------|--|------------|---------|---------------------|----------------------|
| 65151000-3 | Fly high legs - Oiled Oak (providing a seating height of 46cm / 18.1in)        | Stock item | 1.50 kg | 948                 | 1.185                |
| 65151100-3 | Fly high legs - Smoked Oiled Oak (providing a seating height of 46cm / 18.1in) | Stock item | 1.50 kg | 948                 | 1.185                |

| Frame | Finish                      |
|-------|-----------------------------|
| Oak   | Oiled Oak, Smoked Oiled Oak |

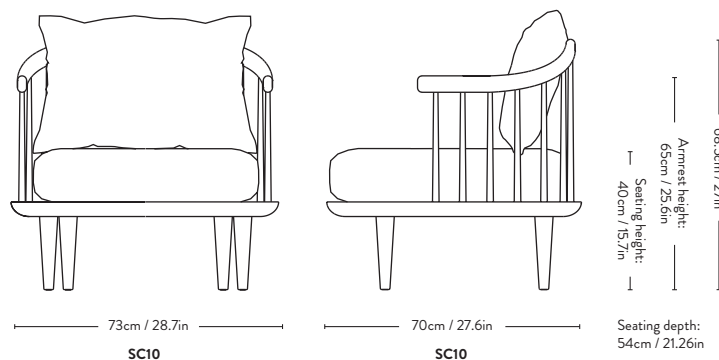
**Material:** Oiled oak frame and base. HR foam & feather pillows.

**Fabric usage:** 3 meters based on 140cm roll.

COM must be approved by &Tradition to ensure suitability for upholstery.

Fly SC10 is not available in leather.

Felt gliders installed as standard.



# Fly SC1

## Space Copenhagen 2013



| Item no. | Product         | Base             | Model | Colli qty. | Lead time  | Weight   | PRICE EX. VAT (SEK) | PRICE INC. VAT (SEK) |
|----------|-----------------|------------------|-------|------------|------------|----------|---------------------|----------------------|
| 65113001 | Hot Madison 094 | Oiled Oak        | SC1   | 1 pc       | Stock item | 30.00 kg | 20.292              | 25.365               |
| 65113002 | Hot Madison 093 | Smoked Oiled Oak | SC1   | 1 pc       | Stock item | 30.00 kg | 20.292              | 25.365               |

| Item no.     | Upholstery  | Model | Lead time | Weight   | PRICE EX. VAT (SEK) | PRICE INC. VAT (SEK) |
|--------------|---|-------|-----------|----------|---------------------|----------------------|
| Fabric gr. 1 | Hot Madison, Remix, Re-Wool                           | SC1   | 6-8 weeks | 30.00 kg | 21.488              | 26.860               |
| Fabric gr. 2 | Canvas, Barnum, Fiord, Ritz                           | SC1   | 6-8 weeks | 30.00 kg | 23.876              | 29.845               |
| Fabric gr. 3 | Clay, Hallingdal, Steelcut Quartet, Steelcut Trio     | SC1   | 6-8 weeks | 30.00 kg | 24.472              | 30.590               |
| Fabric gr. 4 | Acca, Cifrado, Ecriture, Moss, Uniform Melange, Vidar | SC1   | 6-8 weeks | 30.00 kg | 26.264              | 32.830               |
| Fabric gr. 5 | Karakorum, Sisu                                       | SC1   | 6-8 weeks | 30.00 kg | 29.844              | 37.305               |
| Fabric gr. 6 | Fuse, Gentle  | SC1   | 6-8 weeks | 30.00 kg | 32.828              | 41.035               |
| Fabric COM   | COM Fabric  | SC1   | 6-8 weeks | 30.00 kg | 21.488              | 26.860               |

| Item no.   | Add on   | Lead time  | Weight  | PRICE EX. VAT (SEK) | PRICE INC. VAT (SEK) |
|------------|--|------------|---------|---------------------|----------------------|
| 65151000-3 | Fly high legs - Oiled Oak (providing a seating height of 46cm / 18.1in)        | Stock item | 1.50 kg | 948                 | 1.185                |
| 65151100-3 | Fly high legs - Smoked Oiled Oak (providing a seating height of 46cm / 18.1in) | Stock item | 1.50 kg | 948                 | 1.185                |

| Frame | Finish                      |
|-------|-----------------------------|
| Oak   | Oiled Oak, Smoked Oiled Oak |

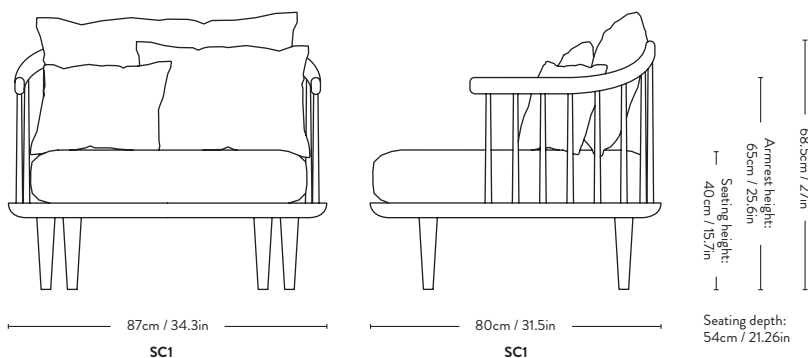
**Material:** Oiled oak frame and base. HR foam & feather pillows.

**Fabric usage:** 3.5 meters based on 140cm roll.

COM must be approved by &Tradition to ensure suitability for upholstery.

Fly SC1 is not available in leather.

Felt gliders installed as standard.





# Fly SC2

## Space Copenhagen 2013



| Item no. | Product         | Base             | Model | Colli qty. | Lead time  | Weight   | PRICE EX. VAT (SEK) | PRICE INC. VAT (SEK) |
|----------|-----------------|------------------|-------|------------|------------|----------|---------------------|----------------------|
| 65123001 | Hot Madison 094 | Oiled Oak        | SC2   | 1 pc       | Stock item | 60.00 kg | 35.816              | 44.770               |
| 65123002 | Hot Madison 093 | Smoked Oiled Oak | SC2   | 1 pc       | Stock item | 60.00 kg | 35.816              | 44.770               |

| Item no.     | Upholstery  | Model | Lead time | Weight   | PRICE EX. VAT (SEK) | PRICE INC. VAT (SEK) |
|--------------|---|-------|-----------|----------|---------------------|----------------------|
| Fabric gr. 1 | Hot Madison, Remix, Re-Wool                           | SC2   | 6-8 weeks | 60.00 kg | 38.204              | 47.755               |
| Fabric gr. 2 | Canvas, Barnum, Fiord, Ritz                           | SC2   | 6-8 weeks | 60.00 kg | 41.784              | 52.230               |
| Fabric gr. 3 | Clay, Hallingdal, Steelcut Quartet, Steelcut Trio     | SC2   | 6-8 weeks | 60.00 kg | 42.980              | 53.725               |
| Fabric gr. 4 | Acca, Cifrado, Ecriture, Moss, Uniform Melange, Vidar | SC2   | 6-8 weeks | 60.00 kg | 45.368              | 56.710               |
| Fabric gr. 5 | Karakorum, Sisu                                       | SC2   | 6-8 weeks | 60.00 kg | 53.724              | 67.155               |
| Fabric gr. 6 | Fuse, Gentle  | SC2   | 6-8 weeks | 60.00 kg | 59.696              | 74.620               |
| Fabric COM   | COM Fabric  | SC2   | 6-8 weeks | 60.00 kg | 38.204              | 47.755               |

| Item no.   | Add on   | Lead time  | Weight  | PRICE EX. VAT (SEK) | PRICE INC. VAT (SEK) |
|------------|--|------------|---------|---------------------|----------------------|
| 65151000-3 | Fly high legs - Oiled Oak (providing a seating height of 46cm / 18.1in)        | Stock item | 1.50 kg | 948                 | 1.185                |
| 65151100-3 | Fly high legs - Smoked Oiled Oak (providing a seating height of 46cm / 18.1in) | Stock item | 1.50 kg | 948                 | 1.185                |

| Frame | Finish                      |
|-------|-----------------------------|
| Oak   | Oiled Oak, Smoked Oiled Oak |

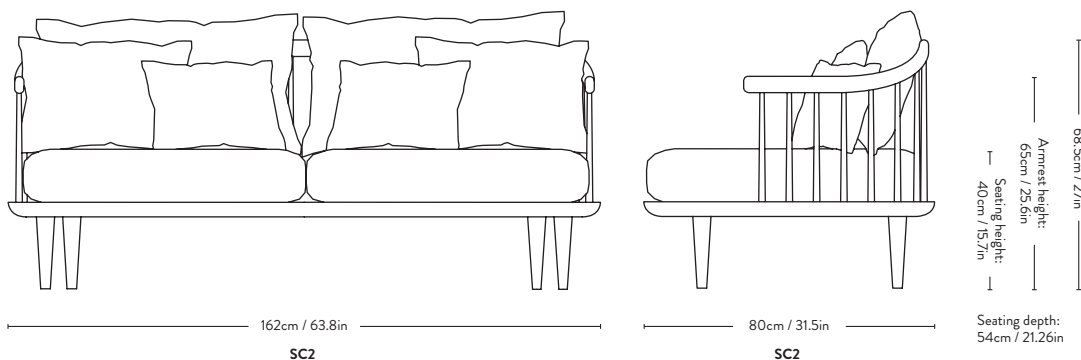
**Material:** Oiled oak frame and base. HR foam & feather pillows.

**Fabric usage:** 6.5 meters based on 140cm roll.

COM must be approved by &Tradition to ensure suitability for upholstery.

Fly SC2 is not available in leather.

Felt gliders installed as standard.



# Fly SC3

## Space Copenhagen 2013



| Item no. | Product         | Base             | Model | Colli qty. | Lead time | Weight   | PRICE EX. VAT (SEK) | PRICE INC. VAT (SEK) |
|----------|-----------------|------------------|-------|------------|-----------|----------|---------------------|----------------------|
| 65133001 | Hot Madison 094 | Oiled Oak        | SC3   | 1 pc       | 2-4 weeks | 70.00 kg | 38.204              | 47.755               |
| 65133002 | Hot Madison 093 | Smoked Oiled Oak | SC3   | 1 pc       | 2-4 weeks | 70.00 kg | 38.204              | 47.755               |

| Item no.     | Upholstery  | Model | Lead time | Weight   | PRICE EX. VAT (SEK) | PRICE INC. VAT (SEK) |
|--------------|---|-------|-----------|----------|---------------------|----------------------|
| Fabric gr. 1 | Hot Madison, Remix, Re-Wool                           | SC3   | 6-8 weeks | 70.00 kg | 41.784              | 52.230               |
| Fabric gr. 2 | Canvas, Barnum, Fiord, Ritz                           | SC3   | 6-8 weeks | 70.00 kg | 45.368              | 56.710               |
| Fabric gr. 3 | Clay, Hallingdal, Steelcut Quartet, Steelcut Trio     | SC3   | 6-8 weeks | 70.00 kg | 46.560              | 58.200               |
| Fabric gr. 4 | Acca, Cifrado, Ecriture, Moss, Uniform Melange, Vidar | SC3   | 6-8 weeks | 70.00 kg | 48.948              | 61.185               |
| Fabric gr. 5 | Karakorum, Sisu                                       | SC3   | 6-8 weeks | 70.00 kg | 57.308              | 71.635               |
| Fabric gr. 6 | Fuse, Gentle  | SC3   | 6-8 weeks | 70.00 kg | 63.276              | 79.095               |
| Fabric COM   | COM Fabric  | SC3   | 6-8 weeks | 70.00 kg | 41.784              | 52.230               |

| Item no.   | Add on   | Lead time  | Weight  | PRICE EX. VAT (SEK) | PRICE INC. VAT (SEK) |
|------------|--|------------|---------|---------------------|----------------------|
| 65151000-3 | Fly high legs - Oiled Oak (providing a seating height of 46cm / 18.1in)        | Stock item | 1.50 kg | 948                 | 1.185                |
| 65151100-3 | Fly high legs - Smoked Oiled Oak (providing a seating height of 46cm / 18.1in) | Stock item | 1.50 kg | 948                 | 1.185                |

| Frame | Finish                      |
|-------|-----------------------------|
| Oak   | Oiled Oak, Smoked Oiled Oak |

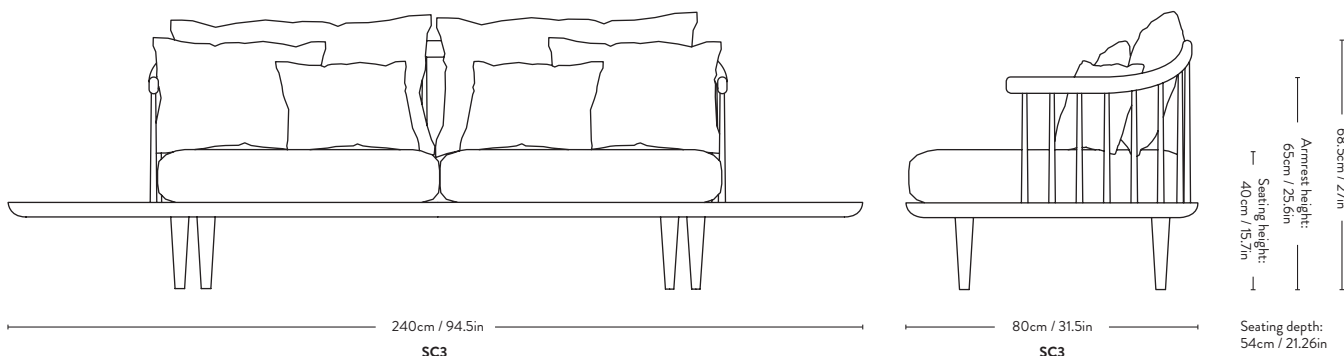
**Material:** Oiled oak frame and base. HR foam & feather pillows.

**Fabric usage:** 6.5 meters based on 140cm roll.

COM must be approved by &Tradition to ensure suitability for upholstery.

Fly SC3 is not available in leather.

Felt gliders installed as standard.



# Fly SC12

## Space Copenhagen 2017



| Item no. | Product         | Base             | Model | Colli qty. | Lead time | Weight   | PRICE EX. VAT (SEK) | PRICE INC. VAT (SEK) |
|----------|-----------------|------------------|-------|------------|-----------|----------|---------------------|----------------------|
| 65193001 | Hot Madison 094 | Oiled Oak        | SC12  | 1 pc       | 6-8 weeks | 80.00 kg | 53.724              | 67.155               |
| 65193002 | Hot Madison 093 | Smoked Oiled Oak | SC12  | 1 pc       | 6-8 weeks | 80.00 kg | 53.724              | 67.155               |

| Item no.     | Upholstery  | Model | Lead time | Weight   | PRICE EX. VAT (SEK) | PRICE INC. VAT (SEK) |
|--------------|---|-------|-----------|----------|---------------------|----------------------|
| Fabric gr. 1 | Hot Madison, Remix, Re-Wool                           | SC12  | 6-8 weeks | 80.00 kg | 53.724              | 67.155               |
| Fabric gr. 2 | Canvas, Barnum, Fiord, Ritz                           | SC12  | 6-8 weeks | 80.00 kg | 57.308              | 71.635               |
| Fabric gr. 3 | Clay, Hallingdal, Steelcut Quartet, Steelcut Trio     | SC12  | 6-8 weeks | 80.00 kg | 58.500              | 73.125               |
| Fabric gr. 4 | Acca, Cifrado, Ecriture, Moss, Uniform Melange, Vidar | SC12  | 6-8 weeks | 80.00 kg | 62.084              | 77.605               |
| Fabric gr. 5 | Karakorum, Sisu                                       | SC12  | 6-8 weeks | 80.00 kg | 77.604              | 97.005               |
| Fabric gr. 6 | Fuse, Gentle  | SC12  | 6-8 weeks | 80.00 kg | 85.368              | 106.710              |
| Fabric COM   | COM Fabric  | SC12  | 6-8 weeks | 80.00 kg | 53.724              | 67.155               |

| Item no.   | Add on   | Lead time  | Weight  | PRICE EX. VAT (SEK) | PRICE INC. VAT (SEK) |
|------------|--|------------|---------|---------------------|----------------------|
| 65151000-3 | Fly high legs - Oiled Oak (providing a seating height of 46cm / 18.1in)        | Stock item | 1.50 kg | 948                 | 1.185                |
| 65151100-3 | Fly high legs - Smoked Oiled Oak (providing a seating height of 46cm / 18.1in) | Stock item | 1.50 kg | 948                 | 1.185                |

| Frame | Finish                      |
|-------|-----------------------------|
| Oak   | Oiled Oak, Smoked Oiled Oak |

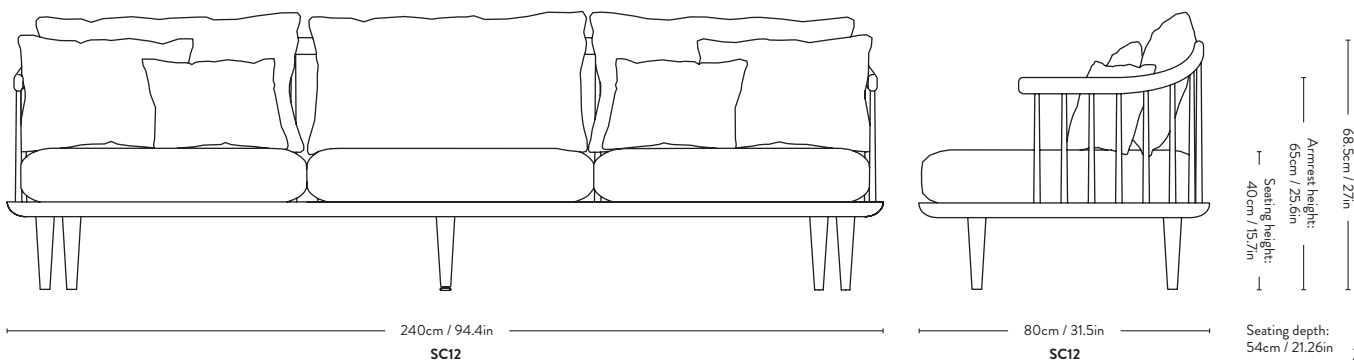
**Material:** Oiled oak frame and base. HR foam and feather pillows. Fabric upholstery.

**Fabric usage:** 8 meters based on 140cm roll.

COM must be approved by &Tradition to ensure suitability for upholstery.

Fly SC12 is not available in leather.

Felt gliders installed as standard.



# Fly SC9

## Space Copenhagen 2014



| Item no. | Product         | Base             | Model | Colli qty. | Lead time | Weight   | PRICE EX. VAT (SEK) | PRICE INC. VAT (SEK) |
|----------|-----------------|------------------|-------|------------|-----------|----------|---------------------|----------------------|
| 65143001 | Hot Madison 094 | Oiled Oak        | SC9   | 1 pc       | 2-4 weeks | 27.00 kg | 10.740              | 13.425               |
| 65143002 | Hot Madison 093 | Smoked Oiled Oak | SC9   | 1 pc       | 2-4 weeks | 27.00 kg | 10.740              | 13.425               |

| Item no.     | Upholstery  | Model | Lead time | Weight   | PRICE EX. VAT (SEK) | PRICE INC. VAT (SEK) |
|--------------|---|-------|-----------|----------|---------------------|----------------------|
| Fabric gr. 1 | Hot Madison, Remix, Re-Wool                           | SC9   | 6-8 weeks | 27.00 kg | 11.936              | 14.920               |
| Fabric gr. 2 | Canvas, Barnum, Fiord, Ritz                           | SC9   | 6-8 weeks | 27.00 kg | 13.128              | 16.410               |
| Fabric gr. 3 | Clay, Hallingdal, Steelcut Quartet, Steelcut Trio     | SC9   | 6-8 weeks | 27.00 kg | 13.724              | 17.155               |
| Fabric gr. 4 | Acca, Cifrado, Ecriture, Moss, Uniform Melange, Vidar | SC9   | 6-8 weeks | 27.00 kg | 14.324              | 17.905               |
| Fabric gr. 5 | Karakorum, Sisu                                       | SC9   | 6-8 weeks | 27.00 kg | 16.712              | 20.890               |
| Fabric gr. 6 | Fuse, Gentle  | SC9   | 6-8 weeks | 27.00 kg | 18.500              | 23.125               |
| Fabric COM   | COM Fabric  | SC9   | 6-8 weeks | 27.00 kg | 11.936              | 14.920               |

| Item no.   | Add on   | Lead time  | Weight  | PRICE EX. VAT (SEK) | PRICE INC. VAT (SEK) |
|------------|--|------------|---------|---------------------|----------------------|
| 65151000-3 | Fly high legs - Oiled Oak (providing a seating height of 46cm / 18.1in)        | Stock item | 1.50 kg | 948                 | 1.185                |
| 65151100-3 | Fly high legs - Smoked Oiled Oak (providing a seating height of 46cm / 18.1in) | Stock item | 1.50 kg | 948                 | 1.185                |

### Frame Finish

Oak Oiled Oak, Smoked Oiled Oak

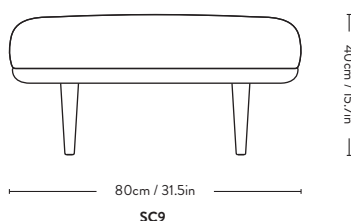
**Material:** Oiled oak base. HR foam & feather pillow.

**Fabric usage:** 1.8 meters based on 140cm roll.

COM must be approved by Tradition to ensure suitability for upholstery.

Fly SC9 is not available in leather.

Felt gliders installed as standard.



# Fly SC4 & SC5

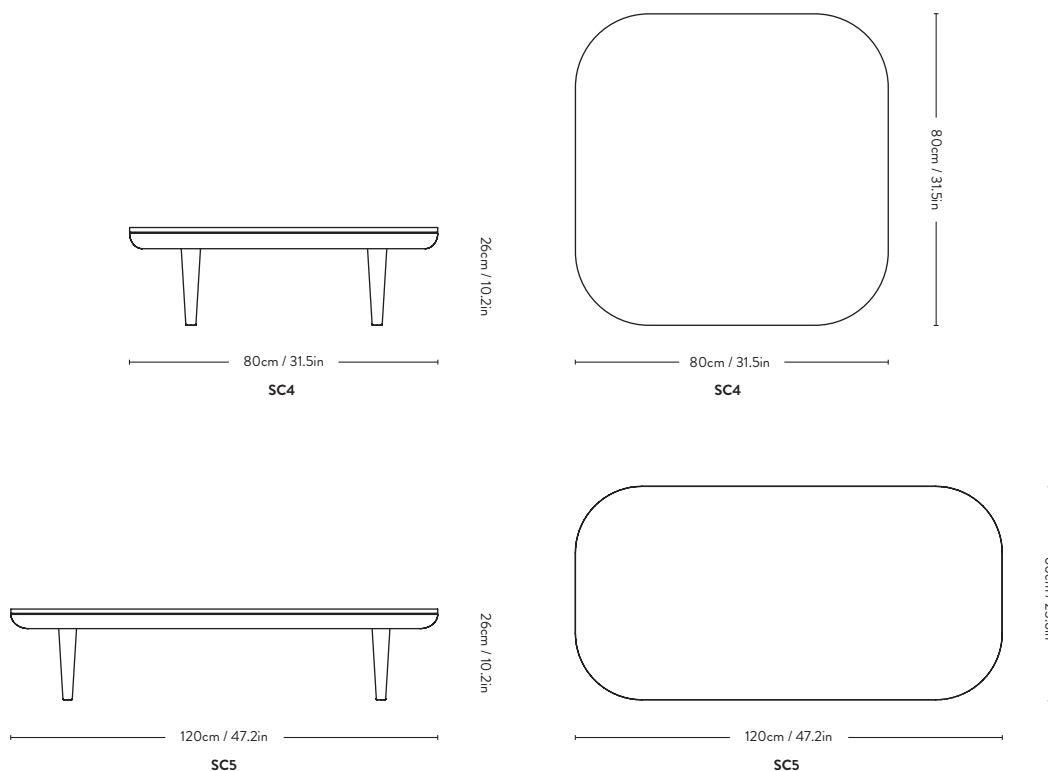
## Space Copenhagen 2013



| Item no. | Product   | Model | Colli qty. | Lead time  | Weight   | PRICE EX. VAT (SEK) | PRICE INC. VAT (SEK) |
|----------|---|-------|------------|------------|----------|---------------------|----------------------|
| 65151000 | Oiled Oak base w. honed Bianco Carrara marble       | SC4   | 1 pc       | Stock item | 37.00 kg | 15.516              | 19.395               |
| 65151400 | Smoked Oiled Oak base w. honed Nero Marquina marble | SC4   | 1 pc       | Stock item | 37.00 kg | 15.516              | 19.395               |
| 65161000 | Oiled Oak base w. honed Bianco Carrara marble       | SC5   | 1 pc       | Stock item | 45.00 kg | 16.712              | 20.890               |
| 65161400 | Smoked Oiled Oak base w. honed Nero Marquina marble | SC5   | 1 pc       | Stock item | 45.00 kg | 16.712              | 20.890               |

| Item no.   | Add on  | Lead time  | Weight  | PRICE EX. VAT (SEK) | PRICE INC. VAT (SEK) |
|------------|---|------------|---------|---------------------|----------------------|
| 65151000-3 | Fly high legs - Oiled Oak (providing a tabletop height of 32cm / 12.6in)        | Stock item | 1.50 kg | 948                 | 1.185                |
| 65151100-3 | Fly high legs - Smoked Oiled Oak (providing a tabletop height of 32cm / 12.6in) | Stock item | 1.50 kg | 948                 | 1.185                |

**Material:** Solid oiled oak base with marble table top.



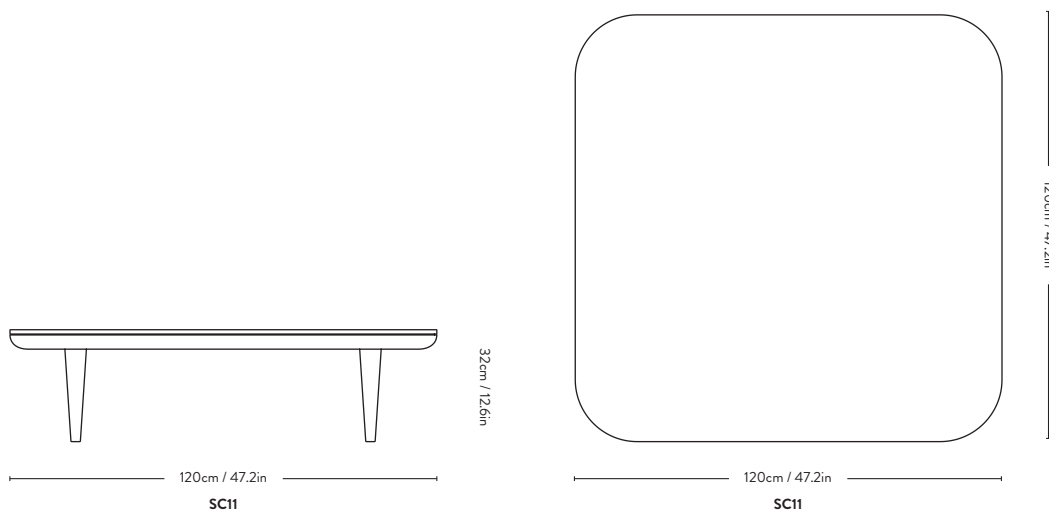
# Fly SC11

## Space Copenhagen 2017



| Item no. | Product   | Model | Colli qty. | Lead time  | Weight    | PRICE EX. VAT (SEK) | PRICE INC. VAT (SEK) |
|----------|---|-------|------------|------------|-----------|---------------------|----------------------|
| 65181000 | Oiled Oak base w. honed Bianco Carrara marble       | SC11  | 1 pc       | Stock item | 102.00 kg | 29.844              | 37.305               |
| 65181100 | Smoked Oiled Oak base w. honed Nero Marquina marble | SC11  | 1 pc       | Stock item | 102.00 kg | 29.844              | 37.305               |

**Material:** Solid oiled oak base with marble table top.



NEW

# Sett LN11, LN12 & LN13

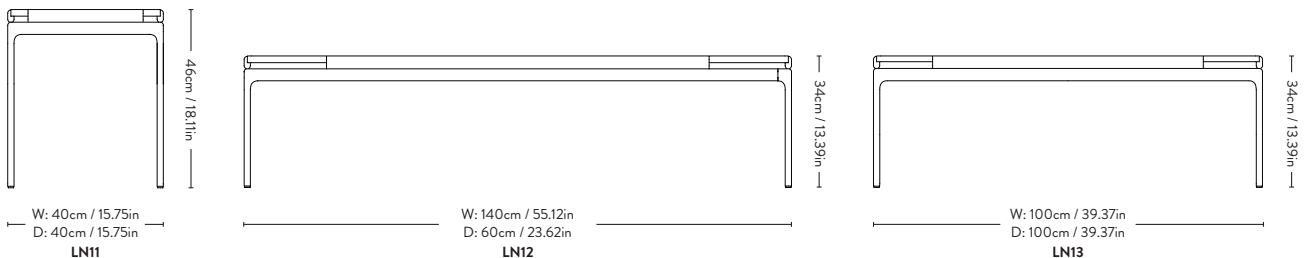
## Luca Nichetto

### 2024



| Item no. | Product           | Model | Colour                                | Colli qty. | Lead time  | Weight   | PRICE EX. VAT (SEK) | PRICE INC. VAT (SEK) |
|----------|-------------------|-------|---------------------------------------|------------|------------|----------|---------------------|----------------------|
| 19001000 | Sett side table   | LN11  | Smoked cast glass w. Dark Chrome      | 1 pc       | Stock item | 12.30 kg | 10.740              | 13.425               |
| 19001001 | Sett side table   | LN11  | Bianco Carrera Marble w. Dark chrome  | 1 pc       | Stock item | 10.30 kg | 8.352               | 10.440               |
| 19001002 | Sett side table   | LN11  | Verde Guatemala Marble w. Dark chrome | 1 pc       | Stock item | 10.30 kg | 8.352               | 10.440               |
| 19001003 | Sett coffee table | LN12  | Smoked cast glass w. Dark Chrome      | 1 pc       | Stock item | 53.60 kg | 22.680              | 28.350               |
| 19001004 | Sett coffee table | LN12  | Bianco Carrera Marble w. Dark chrome  | 1 pc       | Stock item | 44.60 kg | 17.904              | 22.380               |
| 19001005 | Sett coffee table | LN12  | Verde Guatemala Marble w. Dark chrome | 1 pc       | Stock item | 44.60 kg | 17.904              | 22.380               |
| 19001006 | Sett coffee table | LN13  | Smoked cast glass w. Dark Chrome      | 1 pc       | Stock item | 63.60 kg | 23.876              | 29.845               |
| 19001007 | Sett coffee table | LN13  | Bianco Carrera Marble w. Dark chrome  | 1 pc       | Stock item | 51.60 kg | 19.100              | 23.875               |
| 19001008 | Sett coffee table | LN13  | Verde Guatemala Marble w. Dark chrome | 1 pc       | Stock item | 51.60 kg | 19.100              | 23.875               |

**Material:** Die cast, aluminium with cast glass or marble table top



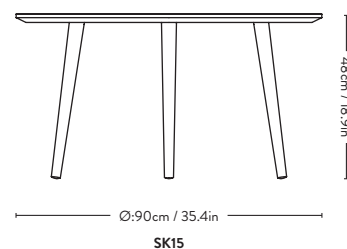
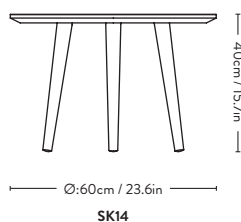
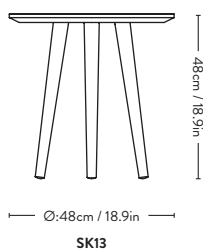
# In Between <sup>SK13-SK15</sup> Sami Kallio 2014



| Item no. | Product             | Size          | Model | Colli qty. | Lead time  | Weight   | PRICE EX. VAT (SEK) | PRICE INC. VAT (SEK) |
|----------|---------------------|---------------|-------|------------|------------|----------|---------------------|----------------------|
| 20982200 | Smoked Oiled Oak    | Ø48cm, H:48cm | SK13  | 1 pc       | Stock item | 4.00 kg  | 2.980               | 3.725                |
| 20982292 | Oiled Oak           | Ø48cm, H:48cm | SK13  | 1 pc       | Stock item | 4.00 kg  | 2.980               | 3.725                |
| 20982294 | Black Lacquered Oak | Ø48cm, H:48cm | SK13  | 1 pc       | Stock item | 4.00 kg  | 2.980               | 3.725                |
| 20982300 | Smoked Oiled Oak    | Ø60cm, H:40cm | SK14  | 1 pc       | Stock item | 5.90 kg  | 3.936               | 4.920                |
| 20982392 | Oiled Oak           | Ø60cm, H:40cm | SK14  | 1 pc       | Stock item | 5.90 kg  | 3.936               | 4.920                |
| 20982394 | Black Lacquered Oak | Ø60cm, H:40cm | SK14  | 1 pc       | Stock item | 5.90 kg  | 3.936               | 4.920                |
| 20982400 | Smoked Oiled Oak    | Ø90cm, H:48cm | SK15  | 1 pc       | Stock item | 13.00 kg | 5.368               | 6.710                |
| 20982492 | Oiled Oak           | Ø90cm, H:48cm | SK15  | 1 pc       | Stock item | 13.00 kg | 5.368               | 6.710                |
| 20982494 | Black Lacquered Oak | Ø90cm, H:48cm | SK15  | 1 pc       | Stock item | 13.00 kg | 5.368               | 6.710                |

**Materials**    **Finishes**

|            |           |
|------------|-----------|
| Table top  | Solid Oak |
| Table legs | Solid Oak |





# In Between SK23 & SK24

## Sami Kallio

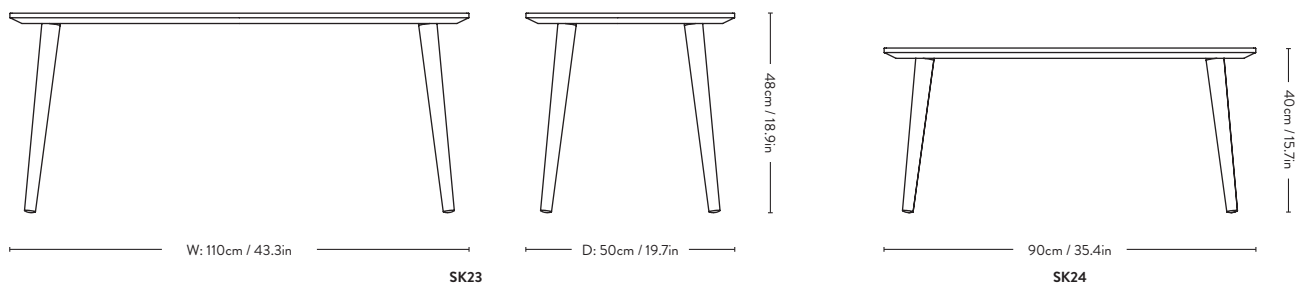
### 2014



| Item no. | Product             | Size                       | Model | Colli qty. | Lead time  | Weight   | PRICE EX. VAT (SEK) | PRICE INC. VAT (SEK) |
|----------|---------------------|----------------------------|-------|------------|------------|----------|---------------------|----------------------|
| 20982594 | Black Lacquered Oak | W: 110cm, D: 50cm, H: 48cm | SK23  | 1 pc       | Stock item | 11.30 kg | 5.368               | 6.710                |
| 20982592 | Oiled Oak           | W: 110cm, D: 50cm H: 48cm  | SK23  | 1 pc       | Stock item | 11.30 kg | 5.368               | 6.710                |
| 20982500 | Smoked Oiled Oak    | W: 110cm, D: 50cm H: 48cm  | SK23  | 1 pc       | Stock item | 11.30 kg | 5.368               | 6.710                |
| 20982694 | Black Lacquered Oak | W: 90cm, D: 90cm, H: 40cm  | SK24  | 1 pc       | Stock item | 16.80 kg | 5.604               | 7.005                |
| 20982692 | Oiled Oak           | W: 90cm, D: 90cm, H: 40cm  | SK24  | 1 pc       | Stock item | 16.80 kg | 5.604               | 7.005                |
| 20982600 | Smoked Oiled Oak    | W: 90cm, D: 90cm, H: 40cm  | SK24  | 1 pc       | Stock item | 16.80 kg | 5.604               | 7.005                |

**Materials**    **Finishes**

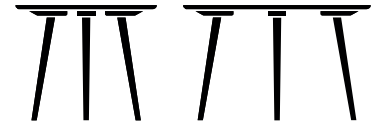
|            |           |
|------------|-----------|
| Table top  | Solid Oak |
| Table legs | Solid Oak |



# In Between SK3 & SK4

## Sami Kallio

2014



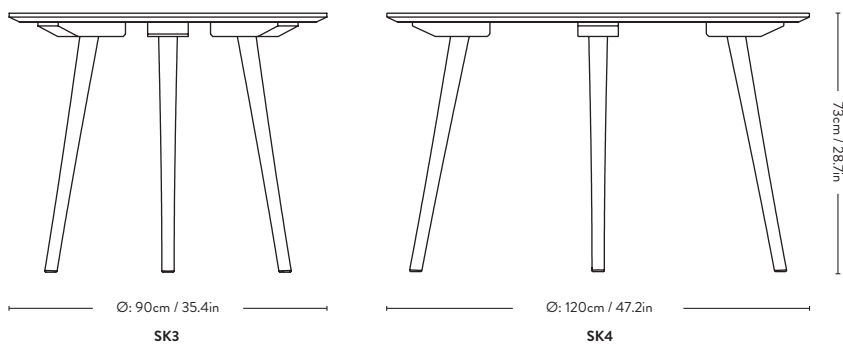
| Item no. | Product             | Size   | Model | Colli qty. | Lead time  | Weight   | PRICE EX. VAT (SEK) | PRICE INC. VAT (SEK) |
|----------|---------------------|--------|-------|------------|------------|----------|---------------------|----------------------|
| 20981100 | Smoked Oiled Oak    | Ø90cm  | SK3   | 1 pc       | Stock item | 19.00 kg | 8.592               | 10.740               |
| 20981192 | Oiled Oak           | Ø90cm  | SK3   | 1 pc       | Stock item | 19.00 kg | 8.592               | 10.740               |
| 20981194 | Black Lacquered Oak | Ø90cm  | SK3   | 1 pc       | Stock item | 19.00 kg | 8.592               | 10.740               |
| 20981196 | Oiled Walnut        | Ø90cm  | SK3   | 1 pc       | Stock item | 19.00 kg | 15.516              | 19.395               |
| 20981200 | Smoked Oiled Oak    | Ø120cm | SK4   | 1 pc       | Stock item | 31.00 kg | 13.724              | 17.155               |
| 20981292 | Oiled Oak           | Ø120cm | SK4   | 1 pc       | Stock item | 31.00 kg | 13.724              | 17.155               |
| 20981294 | Black Lacquered Oak | Ø120cm | SK4   | 1 pc       | Stock item | 31.00 kg | 13.724              | 17.155               |
| 20981296 | Oiled Walnut        | Ø120cm | SK4   | 1 pc       | Stock item | 31.00 kg | 23.876              | 29.845               |

**Materials Finishes**

|            |                         |
|------------|-------------------------|
| Table top  | Solid Oak, Solid Walnut |
| Table legs | Solid Oak, Solid Walnut |

Adjustable gliders installed as standard.

Bevelled table top edge.



# In Between <sup>SK5 & SK6</sup> Sami Kallio 2014



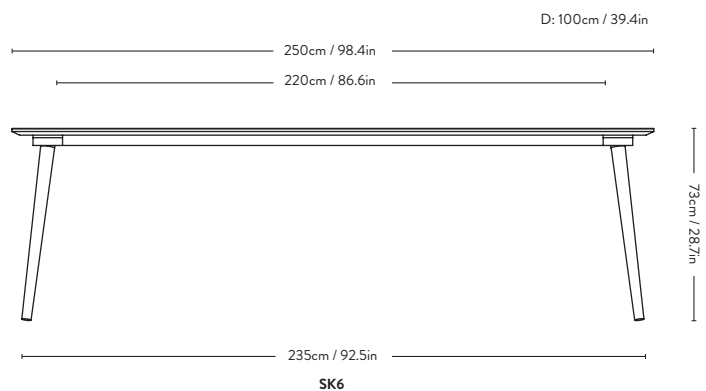
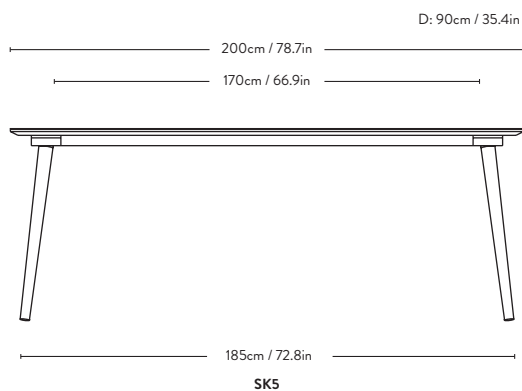
| Item no. | Product              | Size      | Model | Colli qty. | Lead time  | Weight   | PRICE EX. VAT (SEK) | PRICE INC. VAT (SEK) |
|----------|----------------------|-----------|-------|------------|------------|----------|---------------------|----------------------|
| 20981300 | Smoked Lacquered Oak | 90x200cm  | SK5   | 1 pc       | Stock item | 52.40 kg | 15.516              | 19.395               |
| 20981392 | Clear Lacquered Oak  | 90x200cm  | SK5   | 1 pc       | Stock item | 52.40 kg | 15.516              | 19.395               |
| 20981394 | Black Lacquered Oak  | 90x200cm  | SK5   | 1 pc       | Stock item | 52.40 kg | 15.516              | 19.395               |
| 20981400 | Smoked Lacquered Oak | 100x250cm | SK6   | 1 pc       | Stock item | 67.10 kg | 17.904              | 22.380               |
| 20981492 | Clear Lacquered Oak  | 100x250cm | SK6   | 1 pc       | Stock item | 67.10 kg | 17.904              | 22.380               |
| 20981494 | Black Lacquered Oak  | 100x250cm | SK6   | 1 pc       | Stock item | 67.10 kg | 17.904              | 22.380               |

**Materials**    **Finishes**

Table top    Oak Veneer on both sides and edges  
Table legs    Solid Oak

Adjustable gliders installed as standard.

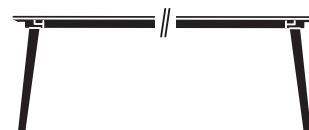
Bevelled table top edge.



# In Between Made to order

## Sami Kallio

### 2014



| Item no. | Product                      | *Edge material | Size                         | Lead time | PRICE EX. VAT (SEK) | PRICE INC. VAT (SEK) |
|----------|------------------------------|----------------|------------------------------|-----------|---------------------|----------------------|
| 20981500 | Oak veneer, Forbo Linoleum   | Info below     | L:90cm, W:90cm, H:73cm       | 8 weeks   | 19.100              | 23.875               |
| 20981600 | Oak veneer, Forbo Linoleum   | Info below     | L:160-200cm, W:90cm, H:73cm  | 8 weeks   | 19.100              | 23.875               |
| 20981700 | Oak veneer, Forbo Linoleum   | Info below     | L:201-250cm, W:100cm, H:73cm | 8 weeks   | 23.876              | 29.845               |
| 20983000 | Oak veneer, Forbo Linoleum   | Info below     | Ø:81-90cm, H:73cm (3 legs)   | 8 weeks   | 11.936              | 14.920               |
| 20983100 | Oak veneer, Forbo Linoleum   | Info below     | Ø:91-100cm, H:73cm (3 legs)  | 8 weeks   | 13.128              | 16.410               |
| 20983200 | Oak veneer, Forbo Linoleum   | Info below     | Ø:101-110cm, H:73cm (4 legs) | 8 weeks   | 13.724              | 17.155               |
| 20983300 | Oak veneer, Forbo Linoleum   | Info below     | Ø:111-120cm, H:73cm (4 legs) | 8 weeks   | 14.920              | 18.650               |
| 20983400 | Oak veneer, Forbo Linoleum   | Info below     | Ø:121-130cm, H:73cm (4 legs) | 8 weeks   | 17.308              | 21.635               |
| 20983500 | Oak veneer, Forbo Linoleum   | Info below     | Ø:131-140cm, H:73cm (4 legs) | 8 weeks   | 19.696              | 24.620               |
| 20983600 | Oak veneer, Forbo Linoleum   | Info below     | Ø:141-150cm, H:73cm (4 legs) | 8 weeks   | 20.888              | 26.110               |
| 20981501 | Fenix NTM nano laminate      | Info below     | L:90cm, W:90cm, H:73cm       | 8 weeks   | 11.936              | 14.920               |
| 20981601 | Fenix NTM nano laminate      | Info below     | L:160-200cm, W:90cm, H:73cm  | 8 weeks   | 18.620              | 23.275               |
| 20981701 | Fenix NTM nano laminate      | Info below     | L:201-250cm, W:100cm, H:73cm | 8 weeks   | 23.276              | 29.095               |
| 20983001 | Fenix NTM nano laminate      | Info below     | Ø:81-90cm, H:73cm (3 legs)   | 8 weeks   | 11.936              | 14.920               |
| 20983101 | Fenix NTM nano laminate      | Info below     | Ø:91-100cm, H:73cm (3 legs)  | 8 weeks   | 12.532              | 15.665               |
| 20983201 | Fenix NTM nano laminate      | Info below     | Ø:101-110cm, H:73cm (4 legs) | 8 weeks   | 13.128              | 16.410               |
| 20983301 | Fenix NTM nano laminate      | Info below     | Ø:111-120cm, H:73cm (4 legs) | 8 weeks   | 14.324              | 17.905               |
| 20983401 | Fenix NTM nano laminate      | Info below     | Ø:121-130cm, H:73cm (4 legs) | 8 weeks   | 16.712              | 20.890               |
| 20983501 | Fenix NTM nano laminate      | Info below     | Ø:131-140cm, H:73cm (4 legs) | 8 weeks   | 19.100              | 23.875               |
| 20983601 | Fenix NTM nano laminate      | Info below     | Ø:141-150cm, H:73cm (4 legs) | 8 weeks   | 20.292              | 25.365               |
| 30310020 | Cut out for cable management |                |                              | 6-8 weeks | 592                 | 740                  |
| 30310021 | Cable access set / Black     |                |                              | 6-8 weeks | 3.100               | 3.875                |
| 30310022 | Cable access set / Silver    |                |                              | 6-8 weeks | 3.100               | 3.875                |

\*Please note that the cable access is not preinstalled upon delivery

#### Table top materials

Oak Veneer  
Forbo Linoleum  
Fenix NTM nano laminate

#### Finishes and colours

Smoked, Clear or Black Lacquered  
Black (4023), Grey (4132), Beige (4176)  
Black (0720), White (0029),  
Grey (0724), Beige (0719)

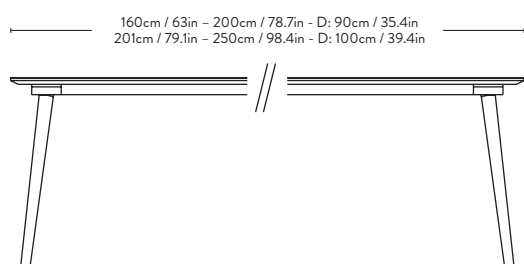
**Material:** Solid oak legs, MDF table top with either oak veneer, linoleum or laminate.

**\*Edge material:** Matching ABS, Clear Lacquered oak, Black Lacquered Oak or Smoked Lacquered Oak. Veneer table tops will have veneer edges. Linoleum and Laminate table tops will have matching ABS edges.

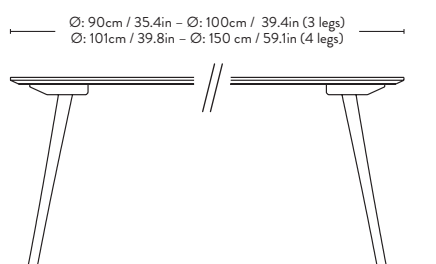
**Legs:** Choose between: Clear Lacquered oak, Smoked Lacquered or Black Lacquered Oak.

Adjustable gliders installed as standard.

Bevelled table top edge.



SK



SK

# In Between <sup>SK11 & SK12</sup> Sami Kallio 2014



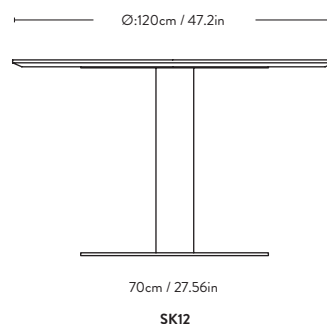
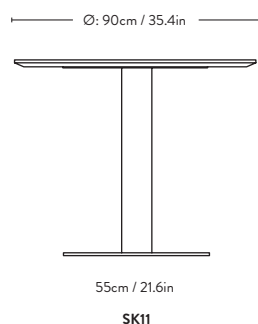
| Item no. | Product             | Size   | Base    | Model | Colli qty. | Lead time  | Weight   | PRICE EX. VAT (SEK) | PRICE INC. VAT (SEK) |
|----------|---------------------|--------|---------|-------|------------|------------|----------|---------------------|----------------------|
| 20982000 | Smoked Oiled Oak    | Ø90cm  | Black   | SK11  | 1 pc       | Stock item | 46.60 kg | 9.548               | 11.935               |
| 20982001 |                     |        | Bronzed | SK11  | 1 pc       | Stock item | 46.60 kg | 9.548               | 11.935               |
| 20982092 | Oiled Oak           | Ø90cm  | Black   | SK11  | 1 pc       | Stock item | 46.60 kg | 9.548               | 11.935               |
| 20982093 |                     |        | Bronzed | SK11  | 1 pc       | Stock item | 46.60 kg | 9.548               | 11.935               |
| 20982094 | Black Lacquered Oak | Ø90cm  | Black   | SK11  | 1 pc       | Stock item | 46.60 kg | 9.548               | 11.935               |
| 20982095 |                     |        | Bronzed | SK11  | 1 pc       | Stock item | 46.60 kg | 9.548               | 11.935               |
| 20982096 | Oiled Walnut        | Ø90cm  | Black   | SK11  | 1 pc       | Stock item | 46.60 kg | 15.516              | 19.395               |
| 20982097 |                     |        | Bronzed | SK11  | 1 pc       | Stock item | 46.60 kg | 15.516              | 19.395               |
| 20982100 | Smoked Oiled Oak    | Ø120cm | Black   | SK12  | 1 pc       | Stock item | 68.50 kg | 15.516              | 19.395               |
| 20982101 |                     |        | Bronzed | SK12  | 1 pc       | Stock item | 68.50 kg | 15.516              | 19.395               |
| 20982192 | Oiled Oak           | Ø120cm | Black   | SK12  | 1 pc       | Stock item | 68.50 kg | 15.516              | 19.395               |
| 20982193 |                     |        | Bronzed | SK12  | 1 pc       | Stock item | 68.50 kg | 15.516              | 19.395               |
| 20982194 | Black Lacquered Oak | Ø120cm | Black   | SK12  | 1 pc       | Stock item | 68.50 kg | 15.516              | 19.395               |
| 20982195 |                     |        | Bronzed | SK12  | 1 pc       | Stock item | 68.50 kg | 15.516              | 19.395               |
| 20982196 | Oiled Walnut        | Ø120cm | Black   | SK12  | 1 pc       | Stock item | 68.50 kg | 23.872              | 29.840               |
| 20982197 |                     |        | Bronzed | SK12  | 1 pc       | Stock item | 68.50 kg | 23.872              | 29.840               |

**Materials**    **Finishes and colours**

Table top    Solid Oak, Solid Walnut  
Center base    Matt Black, Bronzed Metal

Felt gliders installed as standard.

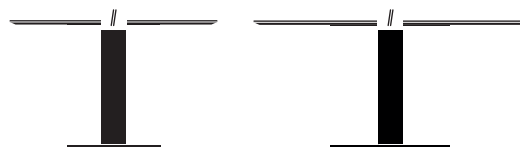
Bevelled table top edge.



# In Between Made to order

## Sami Kallio

2014



| Item code | Table top                  | Model      | Size                           | Lead time | PRICE EX. VAT (SEK) | PRICE INC. VAT (SEK) |
|-----------|----------------------------|------------|--------------------------------|-----------|---------------------|----------------------|
| 20940100  | Oak veneer, Forbo Linoleum | Info below | L:60cm, W:70cm, H:73cm         | 8 weeks   | 7.036               | 8.795                |
| 20941500  | Oak veneer, Forbo Linoleum | Info below | L:90cm, W:90cm, H:73cm         | 8 weeks   | 11.936              | 14.920               |
| 20940300  | Oak veneer, Forbo Linoleum | Info below | L:120cm, W:60cm, H:73cm**      | 8 weeks   | 11.696              | 14.620               |
| 20940400  | Oak veneer, Forbo Linoleum | Info below | L:140cm, W:70cm, H:73cm**      | 8 weeks   | 12.528              | 15.660               |
| 20941600  | Oak veneer, Forbo Linoleum | Info below | L:160-200cm, W:90cm, H:73cm**  | 8 weeks   | 11.216              | 14.020               |
| 20941700  | Oak veneer, Forbo Linoleum | Info below | L:201-250cm, W:100cm, H:73cm** | 8 weeks   | 12.532              | 15.665               |
| 20940800  | Oak veneer, Forbo Linoleum | Info below | L:60cm, W:70cm, H:102cm        | 8 weeks   | 7.276               | 9.095                |
| 20940500  | Oak veneer, Forbo Linoleum | Info below | L:120cm, W:60cm, H:102cm**     | 8 weeks   | 11.936              | 14.920               |
| 20940600  | Oak veneer, Forbo Linoleum | Info below | L:140cm, W:70cm, H:102cm**     | 8 weeks   | 13.008              | 16.260               |
| 20940700  | Oak veneer, Forbo Linoleum | Info below | Ø:60-70cm, H:102cm             | 8 weeks   | 7.276               | 9.095                |
| 20940200  | Oak veneer, Forbo Linoleum | Info below | Ø:60-70cm, H:73cm              | 8 weeks   | 7.036               | 8.795                |
| 20943000  | Oak veneer, Forbo Linoleum | Info below | Ø:80-90cm, H:73cm              | 8 weeks   | 10.740              | 13.425               |
| 20943100  | Oak veneer, Forbo Linoleum | Info below | Ø:91-100cm, H:73cm             | 8 weeks   | 13.128              | 16.410               |
| 20943200  | Oak veneer, Forbo Linoleum | Info below | Ø:101-110cm, H:73cm            | 8 weeks   | 13.724              | 17.155               |
| 20943300  | Oak veneer, Forbo Linoleum | Info below | Ø:111-120cm, H:73cm            | 8 weeks   | 14.920              | 18.650               |
| 20943400  | Oak veneer, Forbo Linoleum | Info below | Ø:121-130cm, H:73cm            | 8 weeks   | 17.904              | 22.380               |
| 20943500  | Oak veneer, Forbo Linoleum | Info below | Ø:131-140cm, H:73cm            | 8 weeks   | 19.696              | 24.620               |
| 20943600  | Oak veneer, Forbo Linoleum | Info below | Ø:141-150cm, H:73cm            | 8 weeks   | 20.888              | 26.110               |

### Materials

MDF Table top

### Finishes and colours

Oak Veneer in Smoked, Clear or Black Lacquer.  
Forbo Linoleum in Black (4023), Grey (4132), Beige (4176).

Center base

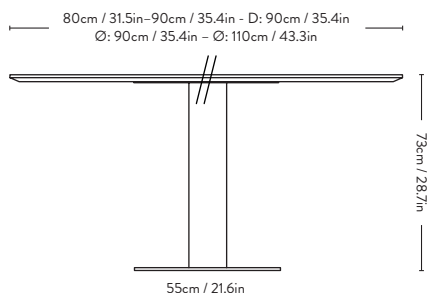
Matt Black, Bronzed Metal

**\*Edge material:** Matching ABS, Clear Lacquered Oak, Black Lacquered Oak or Smoked Lacquered Oak. Veneer table tops will have veneer edges.  
Linoleum and Laminate table tops will have matching ABS edges.

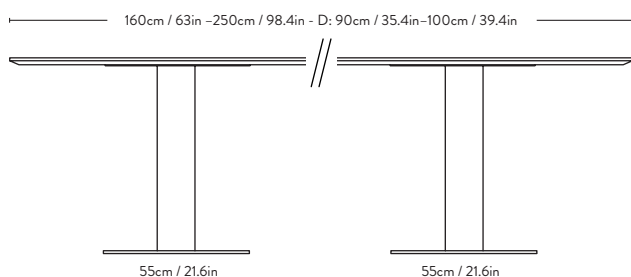
\*\*Produced with two columns.

Felt gliders installed as standard.

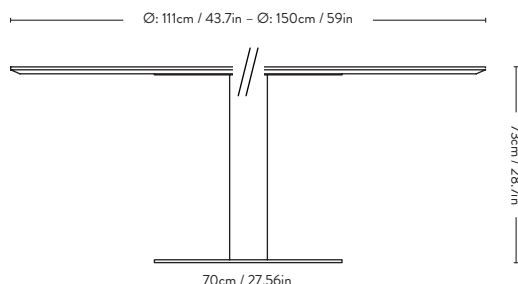
Bevelled table top edge.



SK



SK



SK

# In Between Made to order

## Sami Kallio

### 2014



| Item no. | Product                 | Model      | Base                           | Lead time | PRICE EX. VAT (SEK) | PRICE INC. VAT (SEK) |
|----------|-------------------------|------------|--------------------------------|-----------|---------------------|----------------------|
| 20940101 | Fenix NTM nano laminate | Info below | L:60cm, W:70cm, H:73cm         | 8 weeks   | 6.800               | 8.500                |
| 20941501 | Fenix NTM nano laminate | Info below | L:90cm, W:90cm, H:73cm         | 8 weeks   | 11.936              | 14.920               |
| 20940301 | Fenix NTM nano laminate | Info below | L:120cm, W:60cm, H:73cm**      | 8 weeks   | 10.976              | 13.720               |
| 20940401 | Fenix NTM nano laminate | Info below | L:140cm, W:70cm, H:73cm**      | 8 weeks   | 12.052              | 15.065               |
| 20941601 | Fenix NTM nano laminate | Info below | L:160-200cm, W:90cm, H:73cm**  | 8 weeks   | 19.100              | 23.875               |
| 20941701 | Fenix NTM nano laminate | Info below | L:201-250cm, W:100cm, H:73cm** | 8 weeks   | 23.276              | 29.095               |
| 20940801 | Fenix NTM nano laminate | Info below | L:60cm, W:70cm, H:102cm        | 8 weeks   | 7.040               | 8.800                |
| 20940501 | Fenix NTM nano laminate | Info below | L:120cm, W:60cm, H:102cm**     | 8 weeks   | 11.456              | 14.320               |
| 20940601 | Fenix NTM nano laminate | Info below | L:140cm, W:70cm, H:102cm**     | 8 weeks   | 12.532              | 15.665               |
| 20940701 | Fenix NTM nano laminate | Info below | Ø:60-70cm, H:102cm             | 8 weeks   | 7.040               | 8.800                |
| 20940201 | Fenix NTM nano laminate | Info below | Ø:60-70cm, H:73cm              | 8 weeks   | 6.800               | 8.500                |
| 20943001 | Fenix NTM nano laminate | Info below | Ø:80-90cm, H:73cm              | 8 weeks   | 10.144              | 12.680               |
| 20943101 | Fenix NTM nano laminate | Info below | Ø:91-100cm, H:73cm             | 8 weeks   | 12.532              | 15.665               |
| 20943201 | Fenix NTM nano laminate | Info below | Ø:101-110cm, H:73cm            | 8 weeks   | 13.128              | 16.410               |
| 20943301 | Fenix NTM nano laminate | Info below | Ø:111-120cm, H:73cm            | 8 weeks   | 14.324              | 17.905               |
| 20943401 | Fenix NTM nano laminate | Info below | Ø:121-130cm, H:73cm            | 8 weeks   | 16.712              | 20.890               |
| 20943501 | Fenix NTM nano laminate | Info below | Ø:131-140cm, H:73cm            | 8 weeks   | 19.100              | 23.875               |
| 20943601 | Fenix NTM nano laminate | Info below | Ø:141-150cm, H:73cm            | 8 weeks   | 20.292              | 25.365               |

#### Materials

#### Finishes and colours

MDF Table top Fenix NTM nano laminate in Black (0720), White (0029), Grey (0724), Beige (0719).

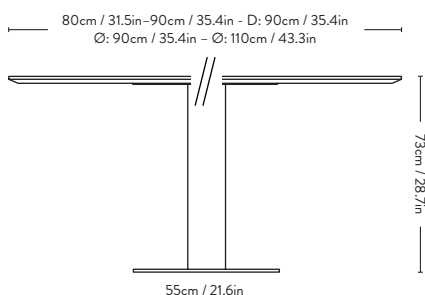
Center base Matt Black, Bronzed Metal

\*Edge material: Matching ABS, Clear Lacquered Oak, Black Lacquered Oak or Smoked Lacquered Oak. Veneer table tops will have veneer edges.  
Linoleum and Laminate table tops will have matching ABS edges.

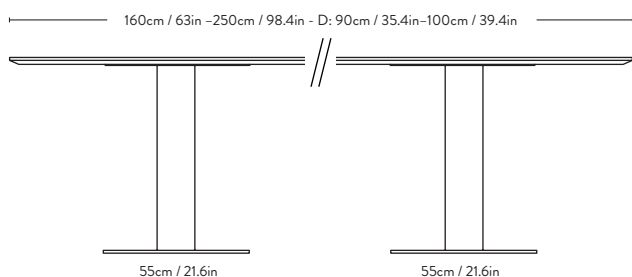
\*\*Produced with two columns.

Felt gliders installed as standard.

Bevelled table top edge.



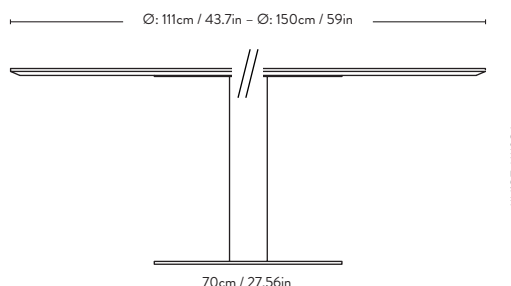
SK



SK



SK



SK

# In Between <sup>SK16-SK21</sup> Sami Kallio 2014



| Item no. | Product        | Size                | Base    | Model | Colli qty. | Lead time  | Weight    | PRICE EX. VAT (SEK) | PRICE INC. VAT (SEK) |
|----------|----------------|---------------------|---------|-------|------------|------------|-----------|---------------------|----------------------|
| 20920194 | Nero Marquina  | 60x70cm             | Black   | SK16  | 1 pc       | Stock item | 45.50 kg  | 8.352               | 10.440               |
| 20920195 |                |                     | Bronzed | SK16  | 1 pc       | Stock item | 45.50 kg  | 8.352               | 10.440               |
| 20920130 | Bianco Carrara | 60x70cm             | Black   | SK16  | 1 pc       | Stock item | 45.50 kg  | 8.352               | 10.440               |
| 20920131 |                |                     | Bronzed | SK16  | 1 pc       | Stock item | 45.50 kg  | 8.352               | 10.440               |
| 20920394 | Nero Marquina  | Ø90cm               | Black   | SK18  | 1 pc       | Stock item | 71.00 kg  | 13.128              | 16.410               |
| 20920395 |                |                     | Bronzed | SK18  | 1 pc       | Stock item | 71.00 kg  | 13.128              | 16.410               |
| 20920330 | Bianco Carrara | Ø90cm               | Black   | SK18  | 1 pc       | Stock item | 45.50 kg  | 13.128              | 16.410               |
| 20920331 |                |                     | Bronzed | SK18  | 1 pc       | Stock item | 45.50 kg  | 13.128              | 16.410               |
| 20920494 | Nero Marquina  | Ø120cm              | Black   | SK19  | 1 pc       | Stock item | 117.00 kg | 21.488              | 26.860               |
| 20920495 |                |                     | Bronzed | SK19  | 1 pc       | Stock item | 117.00 kg | 21.488              | 26.860               |
| 20920430 | Bianco Carrara | Ø120cm              | Black   | SK19  | 1 pc       | Stock item | 117.00 kg | 21.488              | 26.860               |
| 20920431 |                |                     | Bronzed | SK19  | 1 pc       | Stock item | 117.00 kg | 21.488              | 26.860               |
| 20920594 | Nero Marquina  | Ø150cm              | Black   | SK20  | 1 pc       | Stock item | 152.00 kg | 32.828              | 41.035               |
| 20920595 |                |                     | Bronzed | SK20  | 1 pc       | Stock item | 152.00 kg | 32.828              | 41.035               |
| 20920530 | Bianco Carrara | Ø150cm              | Black   | SK20  | 1 pc       | Stock item | 152.00 kg | 32.828              | 41.035               |
| 20920531 |                |                     | Bronzed | SK20  | 1 pc       | Stock item | 152.00 kg | 32.828              | 41.035               |
| 20920694 | Nero Marquina  | 60x70cm - Bar table | Black   | SK21  | 1 pc       | Stock item | 46.50 kg  | 8.592               | 10.740               |
| 20920695 |                |                     | Bronzed | SK21  | 1 pc       | Stock item | 46.50 kg  | 8.592               | 10.740               |
| 20920630 | Bianco Carrara | 60x70cm - Bar table | Black   | SK21  | 1 pc       | Stock item | 46.50 kg  | 8.592               | 10.740               |
| 20920631 |                |                     | Bronzed | SK21  | 1 pc       | Stock item | 46.50 kg  | 8.592               | 10.740               |

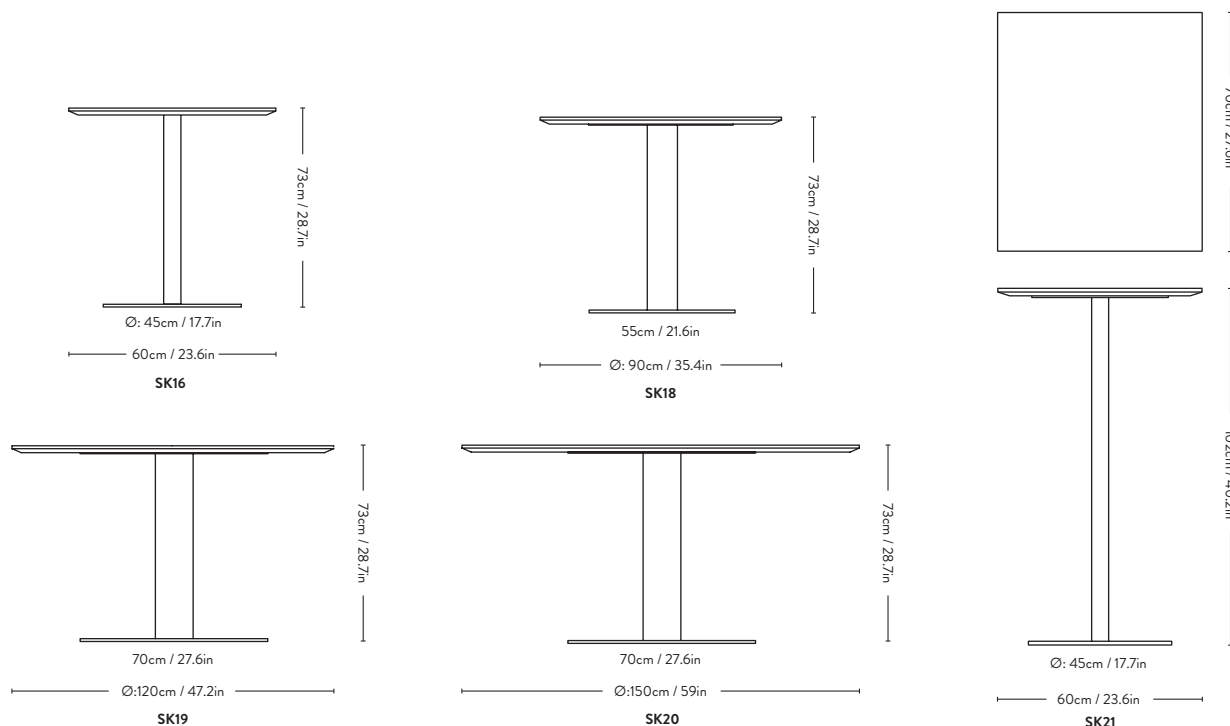
Felt gliders installed as standard.

Bevelled table top edge.

Polyester marble coating available with a 45% upcharge and with 6-8 weeks leadtime.

**Materials Colour**

Table top Nero Marquina, Bianco Carrara  
Center base Black, Bronzed metal





# In Between <sup>Made to order</sup>

## Sami Kallio

### 2014



| Item no. | Product                       | Table top size | Center base size | Base           | Lead time | PRICE EX. VAT (SEK) | PRICE INC. VAT (SEK) |
|----------|-------------------------------|----------------|------------------|----------------|-----------|---------------------|----------------------|
| 20920100 | Nero Marquina, Bianco Carrara | Ø60cm          | Ø45cm / 5cm      | Black, Bronzed | 6-8 weeks | 8.352               | 10.440               |
| 20920200 | Nero Marquina, Bianco Carrara | Ø70cm          | Ø45cm / 5cm      | Black, Bronzed | 6-8 weeks | 9.548               | 11.935               |
| 20920300 | Nero Marquina, Bianco Carrara | Ø80cm          | Ø55cm / 10cm     | Black, Bronzed | 6-8 weeks | 11.336              | 14.170               |
| 20920400 | Nero Marquina, Bianco Carrara | Ø100cm         | Ø55cm / 10cm     | Black, Bronzed | 6-8 weeks | 14.324              | 17.905               |
| 20920500 | Nero Marquina, Bianco Carrara | Ø110cm         | Ø55cm / 10cm     | Black, Bronzed | 6-8 weeks | 16.112              | 20.140               |
| 20920600 | Nero Marquina, Bianco Carrara | Ø130cm         | Ø70cm / 14cm     | Black, Bronzed | 6-8 weeks | 25.068              | 31.335               |
| 20920700 | Nero Marquina, Bianco Carrara | Ø140cm         | Ø70cm / 14cm     | Black, Bronzed | 6-8 weeks | 28.652              | 35.815               |
| 20920800 | Nero Marquina, Bianco Carrara | 80x80cm        | Ø70cm / 14cm     | Black, Bronzed | 6-8 weeks | 11.336              | 14.170               |

#### Materials Colour

|             |                               |
|-------------|-------------------------------|
| Table top   | Nero Marquina, Bianco Carrara |
| Center base | Black, Bronzed metal          |

Felt gliders installed as standard.

Bevelled table top edge.

Polyester marble coating available with a 45% upcharge.

# In Between SK16-SK17 & SK21-SK22

## Sami Kallio

### 2014



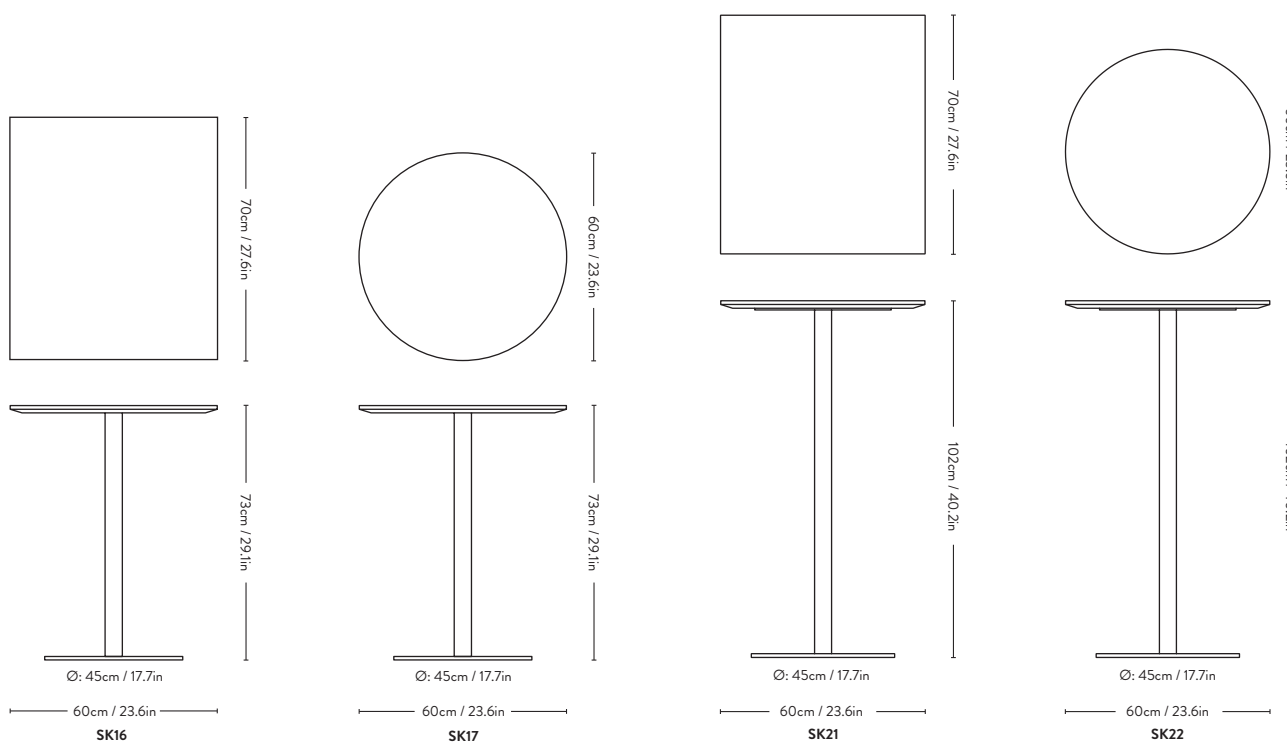
| Item no. | Product                   | Size                | Base    | Model | Colli qty. | Lead time  | Weight   | PRICE EX. VAT (SEK) | PRICE INC. VAT (SEK) |
|----------|---------------------------|---------------------|---------|-------|------------|------------|----------|---------------------|----------------------|
| 20946094 | Black Fenix Nano Laminate | 60x70cm             | Black   | SK16  | 1 pc       | Stock item | 21.00 kg | 5.604               | 7.005                |
| 20946096 |                           |                     | Bronzed | SK16  | 1 pc       | Stock item | 21.00 kg | 5.604               | 7.005                |
| 20946194 | Black Fenix Nano Laminate | Ø60cm               | Black   | SK17  | 1 pc       | Stock item | 21.00 kg | 5.604               | 7.005                |
| 20946195 |                           |                     | Bronzed | SK17  | 1 pc       | Stock item | 21.00 kg | 5.604               | 7.005                |
| 20946594 | Black Fenix Nano Laminate | 60x70cm - Bar table | Black   | SK21  | 1 pc       | Stock item | 22.00 kg | 5.844               | 7.305                |
| 20946595 |                           |                     | Bronzed | SK21  | 1 pc       | Stock item | 22.00 kg | 5.844               | 7.305                |
| 20946694 | Black Fenix Nano Laminate | Ø60cm - Bar table   | Black   | SK22  | 1 pc       | Stock item | 22.00 kg | 5.844               | 7.305                |
| 20946695 |                           |                     | Bronzed | SK22  | 1 pc       | Stock item | 22.00 kg | 5.844               | 7.305                |

**Materials Colour**

Table top Fenix Nano Laminate  
Center base Black, Bronzed metal

Felt gliders installed as standard.

Bevelled table top edge.



# Patch <sup>HW1</sup> Hee Welling 2020



| Item no. | Product   | Model | Colli qty. | Lead time  | Weight   | PRICE EX. VAT (SEK) | PRICE INC. VAT (SEK) |
|----------|---|-------|------------|------------|----------|---------------------|----------------------|
| 20930092 | Oiled Oak w. Fenix 0748 Beige Arizona & Brass   | HW1   | 1 pc       | Stock item | 73.50 kg | 27.456              | 34.320               |
| 20930000 | Smoked Oak w. Fenix 0718 Griogio Londra & Brass | HW1   | 1 pc       | Stock item | 73.50 kg | 27.456              | 34.320               |
| 20930096 | Walnut w. Fenix 0749 Cacao Orinoco & Brass      | HW1   | 1 pc       | Stock item | 73.50 kg | 31.040              | 38.800               |

**Frame**      **Table top**

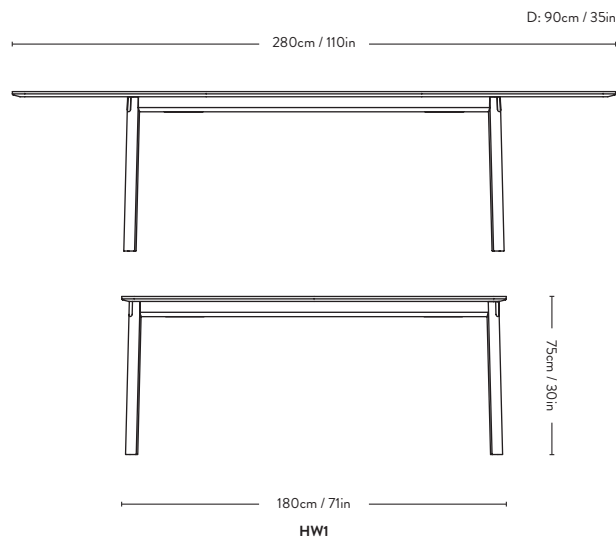
Solid wood      Fenix NTM nano laminate

**Frame**      **Edges**

Oak      Oiled Oak, Smoked Oiled Oak  
Walnut      Oiled Walnut

**Material:** Nano laminated MDF tabletop. Extension leaves with veneered and chamfered edges. Solid wood frame and legs.

Brass fittings.



# Patch <sup>HW2</sup> Hee Welling 2020



| Item no. | Product   | Model | Colli qty. | Lead time  | Weight   | PRICE EX. VAT (SEK) | PRICE INC. VAT (SEK) |
|----------|---|-------|------------|------------|----------|---------------------|----------------------|
| 20930192 | Oiled Oak w. Fenix 0748 Beige Arizona & Brass   | HW2   | 1 pc       | Stock item | 89.50 kg | 29.844              | 37.305               |
| 20930100 | Smoked Oak w. Fenix 0718 Griogio Londra & Brass | HW2   | 1 pc       | Stock item | 89.50 kg | 29.844              | 37.305               |
| 20930196 | Walnut w. Fenix 0749 Cacao Orinoco & Brass      | HW2   | 1 pc       | Stock item | 89.50 kg | 33.428              | 41.785               |

**Frame**      **Table top**

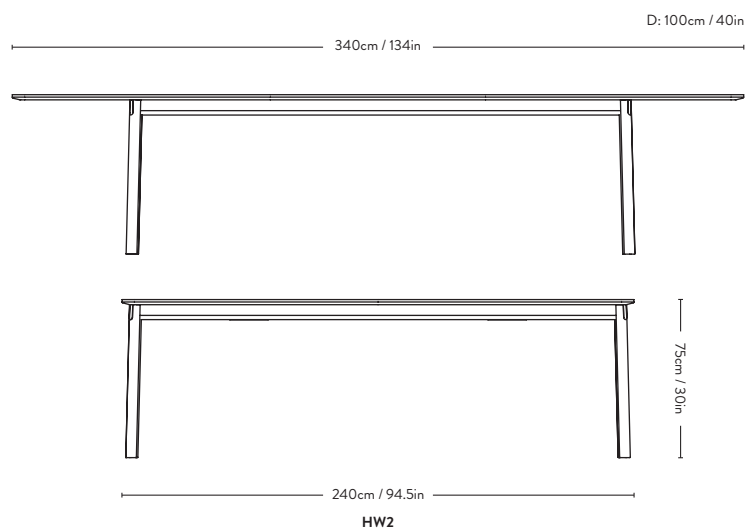
Solid wood      Fenix NTM nano laminate

**Frame**      **Edges**

Oak      Oiled Oak, Smoked Oiled Oak  
Walnut      Oiled Walnut

**Material:** Nano laminated MDF tabletop. Extension leaves with veneered and chamfered edges. Solid wood frame and legs.

Brass fittings.



# Drip HW58 Hee Welling 2021



| Item no.             | Table top  | Size       | Base             | Model | Colli qty. | Lead time    | Weight   | PRICE EX. VAT (SEK) | PRICE INC. VAT (SEK) |
|----------------------|--|------------|------------------|-------|------------|--------------|----------|---------------------|----------------------|
| 18001101<br>18001106 | Nero Ingo Fenix Nano Laminate (0720)   | 140 x 80cm | Black<br>Bronzed | HW58  | 1 pc       | Stock item   | 25.00 kg | 11.336              | 14.170               |
| 18001150<br>18001156 | Smokey Blue Forbo Linoleum (4179) & Dark Blue Ostermann (043.5984), Glossy Edge    | 140 x 80cm | Black<br>Bronzed | HW58  | 1 pc       | 10 -12 weeks | 25.00 kg | 11.932              | 14.915               |
| 18001151<br>18001157 | Pearl Forbo Linoleum (4157) & Soft Yellow Rehau (78162), Glossy Edge               | 140 x 80cm | Black<br>Bronzed | HW58  | 1 pc       | 10 -12 weeks | 25.00 kg | 11.932              | 14.915               |
| 18001111<br>18001112 | Burgundy Forbo Linoleum (4154) & Red Ostermann (043.4110), Glossy Edge             | 140 x 80cm | Black<br>Bronzed | HW58  | 1 pc       | 10 -12 weeks | 25.00 kg | 11.932              | 14.915               |
| 18001152<br>18001158 | Castoro Ottawa Fenix Nano Laminate (0720) & Light Brown Rehau (V1272), Glossy Edge | 140 x 80cm | Black<br>Bronzed | HW58  | 1 pc       | 10 -12 weeks | 25.00 kg | 13.128              | 16.410               |
| 18001153<br>18001159 | Cacao Orinoco Fenix Nano Laminate (0749) & Grey Brown Rehau (71038), Glossy Edge   | 140 x 80cm | Black<br>Bronzed | HW58  | 1 pc       | 10 -12 weeks | 25.00 kg | 13.128              | 16.410               |
| 18001154<br>18001160 | Verde Comodoro Fenix Nano Laminate (0750) & Grey Rehau (97959), Glossy Edge        | 140 x 80cm | Black<br>Bronzed | HW58  | 1 pc       | 10 -12 weeks | 25.00 kg | 13.128              | 16.410               |
| 18001155<br>18001161 | Azzurro Naxos Fenix Nano Laminate (0771) & Light Blue Rehau (77193), Glossy Edge   | 140 x 80cm | Black<br>Bronzed | HW58  | 1 pc       | 10 -12 weeks | 25.00 kg | 13.128              | 16.410               |
| 18001121             | Linoleum - all colours   | 140 x 80cm | Black<br>Bronzed | HW58  | 1 pc       | 10 -12 weeks | 25.00 kg | 11.932              | 14.915               |
| 18001131             | Nano Laminate - all colours  | 140 x 80cm | Black<br>Bronzed | HW58  | 1 pc       | 10 -12 weeks | 25.00 kg | 13.128              | 16.410               |
| 18001141             | Veneer - oak or walnut   | 140 x 80cm | Black<br>Bronzed | HW58  | 1 pc       | 10 -12 weeks | 25.00 kg | 13.128              | 16.410               |
| 30310020             | Cut out for cable management   |            |                  |       |            | 10 -12 weeks |          | 592                 | 740                  |
| 30310021             | Cable access set / Black   |            |                  |       |            | 10 -12 weeks |          | 3.100               | 3.875                |
| 30310022             | Cable access set / Silver  |            |                  |       |            | 10 -12 weeks |          | 3.100               | 3.875                |



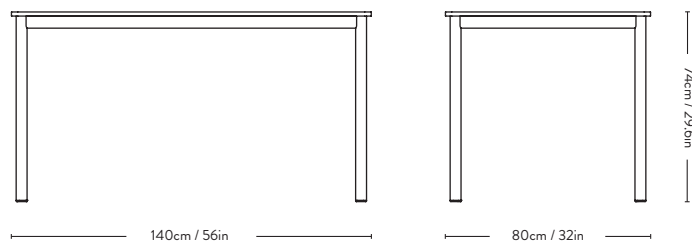
EU Ecolabel certified, validating high standards of durability, circular design, and responsible use of chemicals. Please contact our sales team for a list of EU Ecolabel compliant combinations.

**Material:** Aluminium base, MDF tabletop with Fenix Nano laminate, Forbo linoleum or wood veneer.

Nero Ingo is produced with a matching high gloss edgeband.

All other colours are produced with a matching ABS edgeband. Wood veneer is produced with a matching edgeband.

All table tops and edgebands can be mixed and matched  
Plastic gliders installed as standard.  
Castors are available upon request.



HW58

# Drip HW59

## Hee Welling 2021



| Item no. | Table top                                   | Size       | Base    | Model | Colli qty. | Lead time    | Weight   | PRICE EX. | PRICE INC. |
|----------|---|------------|---------|-------|------------|--------------|----------|-----------|------------|
|          |   |            |         |       |            |              |          | VAT (SEK) | VAT (SEK)  |
| 18001201 | Nero Ingo Fenix Nano Laminate (0720)        | 190 x 80cm | Black   | HW59  | 1 pc       | Stock item   | 32.50 kg | 12.528    | 15.660     |
| 18001206 |   |            | Bronzed |       |            |              |          | 12.528    | 15.660     |
| 18001250 | Smokey Blue Forbo Linoleum (4179) & Dark    | 190 x 80cm | Black   | HW59  | 1 pc       | 10 -12 weeks | 32.50 kg | 13.724    | 17.155     |
| 18001256 | Blue Ostermann (043.5984), Glossy Edge      |            | Bronzed |       |            |              |          | 13.724    | 17.155     |
| 18001251 | Pearl Forbo Linoleum (4157) & Soft Yellow   | 190 x 80cm | Black   | HW59  | 1 pc       | 10 -12 weeks | 32.50 kg | 13.724    | 17.155     |
| 18001257 | Rehau (78162), Glossy Edge                  |            | Bronzed |       |            |              |          | 13.724    | 17.155     |
| 18001211 | Burgundy Forbo Linoleum (4154) & Red        | 190 x 80cm | Black   | HW59  | 1 pc       | 10 -12 weeks | 32.50 kg | 13.724    | 17.155     |
| 18001212 | Ostermann (043.4110), Glossy Edge           |            | Bronzed |       |            |              |          | 13.724    | 17.155     |
| 18001252 | Castoro Ottawa Fenix Nano Laminate (0720) & | 190 x 80cm | Black   | HW59  | 1 pc       | 10 -12 weeks | 32.50 kg | 14.920    | 18.650     |
| 18001258 | Light Brown Rehau (V1272), Glossy Edge      |            | Bronzed |       |            |              |          | 14.920    | 18.650     |
| 18001253 | Cacao Orinoco Fenix Nano Laminate (0749) &  | 190 x 80cm | Black   | HW59  | 1 pc       | 10 -12 weeks | 32.50 kg | 14.920    | 18.650     |
| 18001259 | Grey Brown Rehau (71038), Glossy Edge       |            | Bronzed |       |            |              |          | 14.920    | 18.650     |
| 18001254 | Verde Comodoro Fenix Nano Laminate (0750) & | 190 x 80cm | Black   | HW59  | 1 pc       | 10 -12 weeks | 32.50 kg | 14.920    | 18.650     |
| 18001260 | & Grey Rehau (97959), Glossy Edge           |            | Bronzed |       |            |              |          | 14.920    | 18.650     |
| 18001255 | Azzurro Naxos Fenix Nano Laminate (0771) &  | 190 x 80cm | Black   | HW59  | 1 pc       | 10 -12 weeks | 32.50 kg | 14.920    | 18.650     |
| 18001261 | Light Blue Rehau (77193), Glossy Edge       |            | Bronzed |       |            |              |          | 14.920    | 18.650     |
| 18001221 | Linoleum - all colours                      | 190 x 80cm | Black   | HW59  | 1 pc       | 10 -12 weeks | 32.50 kg | 13.724    | 17.155     |
|          |   |            | Bronzed |       |            |              |          | 13.724    | 17.155     |
| 18001231 | Nano Laminate - all colours                 | 190 x 80cm | Black   | HW59  | 1 pc       | 10 -12 weeks | 32.50 kg | 14.920    | 18.650     |
|          |   |            | Bronzed |       |            |              |          | 14.920    | 18.650     |
| 18001241 | Veneer - oak or walnut                      | 190 x 80cm | Black   | HW59  | 1 pc       | 10 -12 weeks | 32.50 kg | 14.920    | 18.650     |
|          |   |            | Bronzed |       |            |              |          | 14.920    | 18.650     |
| 30310020 | Cut out for cable management                |            |         |       |            | 10 -12 weeks |          | 592       | 740        |
| 30310021 | Cable access set / Black                    |            |         |       |            | 10 -12 weeks |          | 3.100     | 3.875      |
| 30310022 | Cable access set / Silver                   |            |         |       |            | 10 -12 weeks |          | 3.100     | 3.875      |



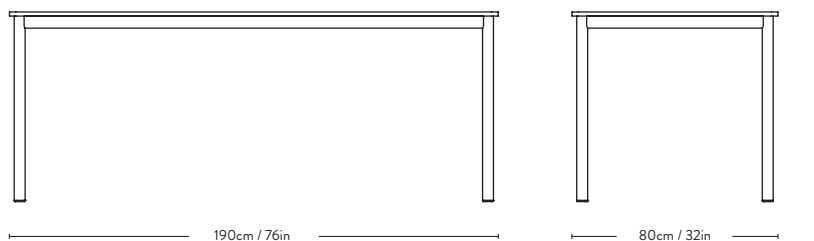
EU Ecolabel certified, validating high standards of durability, circular design, and responsible use of chemicals. Please contact our sales team for a list of EU Ecolabel compliant combinations.

**Material:** Aluminium base, MDF tabletop with Fenix Nano laminate, Forbo linoleum or wood veneer.

Nero Ingo is produced with a matching high gloss edgeband.

All other colours are produced with a matching ABS edgeband. Wood veneer is produced with a matching edgeband.

All table tops and edgebands can be mixed and matched  
 Plastic gliders installed as standard.  
 Castors are available upon request.



# Drip HW60

## Hee Welling

### 2021



| Item no. | Table top                                   | Size         | Base    | Model | Colli qty. | Lead time    | Weight   | PRICE EX. VAT (SEK) | PRICE INC. VAT (SEK) |
|----------|---|--------------|---------|-------|------------|--------------|----------|---------------------|----------------------|
| 18001301 | Nero Ingo Fenix Nano Laminate (0720)        | 250 x 100 cm | Black   | HW60  | 1 pc       | Stock item   | 49.00 kg | 15.516              | 19.395               |
| 18001306 |   |              | Bronzed |       |            |              |          | 15.516              | 19.395               |
| 18001350 | Smokey Blue Forbo Linoleum (4179) & Dark    | 250 x 100 cm | Black   | HW60  | 1 pc       | 10 -12 weeks | 49.00 kg | 18.500              | 23.125               |
| 18001356 | Blue Ostermann (043.5984), Glossy Edge      |              | Bronzed |       |            |              |          | 18.500              | 23.125               |
| 18001351 | Pearl Forbo Linoleum (4157) & Soft Yellow   | 250 x 100 cm | Black   | HW60  | 1 pc       | 10 -12 weeks | 49.00 kg | 18.500              | 23.125               |
| 18001357 | Rehau (78162), Glossy Edge                  |              | Bronzed |       |            |              |          | 18.500              | 23.125               |
| 18001311 | Burgundy Forbo Linoleum (4154) & Red        | 250 x 100 cm | Black   | HW60  | 1 pc       | 10 -12 weeks | 49.00 kg | 18.500              | 23.125               |
| 18001312 | Ostermann (043.4110), Glossy Edge           |              | Bronzed |       |            |              |          | 18.500              | 23.125               |
| 18001352 | Castoro Ottawa Fenix Nano Laminate (0720) & | 250 x 100 cm | Black   | HW60  | 1 pc       | 10 -12 weeks | 49.00 kg | 20.292              | 25.365               |
| 18001358 | Light Brown Rehau (V1272), Glossy Edge      |              | Bronzed |       |            |              |          | 20.292              | 25.365               |
| 18001353 | Cacao Orinoco Fenix Nano Laminate (0749) &  | 250 x 100 cm | Black   | HW60  | 1 pc       | 10 -12 weeks | 49.00 kg | 20.292              | 25.365               |
| 18001359 | Grey Brown Rehau (71038), Glossy Edge       |              | Bronzed |       |            |              |          | 20.292              | 25.365               |
| 18001354 | Verde Comodoro Fenix Nano Laminate (0750)   | 250 x 100 cm | Black   | HW60  | 1 pc       | 10 -12 weeks | 49.00 kg | 20.292              | 25.365               |
| 18001360 | & Grey Rehau (97959), Glossy Edge           |              | Bronzed |       |            |              |          | 20.292              | 25.365               |
| 18001355 | Azzurro Naxos Fenix Nano Laminate (0771) &  | 250 x 100 cm | Black   | HW60  | 1 pc       | 10 -12 weeks | 49.00 kg | 20.292              | 25.365               |
| 18001361 | Light Blue Rehau (77193), Glossy Edge       |              | Bronzed |       |            |              |          | 20.292              | 25.365               |
| 18001321 | Linoleum - all colours                      | 250 x 100 cm | Black   | HW60  | 1 pc       | 10 -12 weeks | 49.00 kg | 18.500              | 23.125               |
|          |   |              | Bronzed |       |            |              |          | 18.500              | 23.125               |
| 18001331 | Nano Laminate - all colours                 | 250 x 100 cm | Black   | HW60  | 1 pc       | 10 -12 weeks | 49.00 kg | 20.292              | 25.365               |
|          |   |              | Bronzed |       |            |              |          | 20.292              | 25.365               |
| 18001341 | Veneer - oak or walnut                      | 250 x 100 cm | Black   | HW60  | 1 pc       | 10 -12 weeks | 49.00 kg | 20.292              | 25.365               |
|          |   |              | Bronzed |       |            |              |          | 20.292              | 25.365               |
| 30310020 | Cut out for cable management                |              |         |       |            | 10 -12 weeks |          | 592                 | 740                  |
| 30310021 | Cable access set / Black                    |              |         |       |            | 10 -12 weeks |          | 3.100               | 3.875                |
| 30310022 | Cable access set / Silver                   |              |         |       |            | 10 -12 weeks |          | 3.100               | 3.875                |



EU Ecolabel certified, validating high standards of durability, circular design, and responsible use of chemicals.

Please contact our sales team for a list of EU Ecolabel compliant combinations.

**Material:** Aluminium base, MDF tabletop with Fenix Nano laminate, Forbo linoleum or wood veneer.

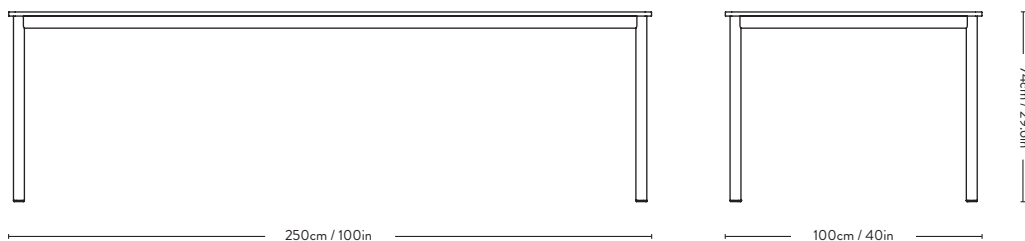
Nero Ingo is produced with a matching high gloss edgeband.

All other colours are produced with a matching ABS edgeband. Wood veneer is produced with a matching edgeband.

All table tops and edgebands can be mixed and matched

Plastic gliders installed as standard.

Castors are available upon request.



HW60

# Drip HW61

## Hee Welling

### 2021



| Item code | Table top  | Size             | Model | Base    | Colli qty. | Lead time    | Weight   | PRICE EX. VAT (SEK) | PRICE INC. VAT (SEK) |
|-----------|--|------------------|-------|---------|------------|--------------|----------|---------------------|----------------------|
| 18001401  | Nero Ingo Fenix Nano Laminate (0720)   | 190 x 50 x 95 cm | HW61  | Black   | 1 pc       | Stock item   | 26.80 kg | 17.308              | 21.635               |
| 18001406  |  |                  |       | Bronzed |            |              |          | 17.308              | 21.635               |
| 18001450  | Smokey Blue Forbo Linoleum (4179) & Dark Blue Ostermann (043.5984), Glossy Edge    | 190 x 50 x 95 cm | HW61  | Black   | 1 pc       | 10 -12 weeks | 26.80 kg | 19.100              | 23.875               |
| 18001456  |  |                  |       | Bronzed |            |              |          | 19.100              | 23.875               |
| 18001451  | Pearl Forbo Linoleum (4157) & Soft Yellow Rehau (78162), Glossy Edge               | 190 x 50 x 95 cm | HW61  | Black   | 1 pc       | 10 -12 weeks | 26.80 kg | 19.100              | 23.875               |
| 18001457  |  |                  |       | Bronzed |            |              |          | 19.100              | 23.875               |
| 18001411  | Burgundy Forbo Linoleum (4154) & Red Ostermann (043.4110), Glossy Edge             | 190 x 50 x 95 cm | HW61  | Black   | 1 pc       | 10 -12 weeks | 26.80 kg | 19.100              | 23.875               |
| 18001412  |  |                  |       | Bronzed |            |              |          | 19.100              | 23.875               |
| 18001452  | Castoro Ottawa Fenix Nano Laminate (0720) & Light Brown Rehau (V1272), Glossy Edge | 190 x 50 x 95 cm | HW61  | Black   | 1 pc       | 10 -12 weeks | 26.80 kg | 20.292              | 25.365               |
| 18001458  |  |                  |       | Bronzed |            |              |          | 20.292              | 25.365               |
| 18001453  | Cacao Orinoco Fenix Nano Laminate (0749) & Grey Brown Rehau (71038), Glossy Edge   | 190 x 50 x 95 cm | HW61  | Black   | 1 pc       | 10 -12 weeks | 26.80 kg | 20.292              | 25.365               |
| 18001459  |  |                  |       | Bronzed |            |              |          | 20.292              | 25.365               |
| 18001454  | Verde Comodoro Fenix Nano Laminate (0750) & Grey Rehau (97959), Glossy Edge        | 190 x 50 x 95 cm | HW61  | Black   | 1 pc       | 10 -12 weeks | 26.80 kg | 20.292              | 25.365               |
| 18001460  |  |                  |       | Bronzed |            |              |          | 20.292              | 25.365               |
| 18001455  | Azzurro Naxos Fenix Nano Laminate (0771) & Light Blue Rehau (77193), Glossy Edge   | 190 x 50 x 95 cm | HW61  | Black   | 1 pc       | 10 -12 weeks | 26.80 kg | 20.292              | 25.365               |
| 18001461  |  |                  |       | Bronzed |            |              |          | 20.292              | 25.365               |
| 18001421  | Linoleum - all colours   | 190 x 50 x 95 cm | HW61  | Black   | 1 pc       | 10-12 weeks  | 26.80 kg | 19.100              | 23.875               |
|           |  |                  |       | Bronzed |            |              |          | 19.100              | 23.875               |
| 18001431  | Nano Laminate - all colours  | 190 x 50 x 95 cm | HW61  | Black   | 1 pc       | 10-12 weeks  | 26.80 kg | 20.292              | 25.365               |
|           |  |                  |       | Bronzed |            |              |          | 20.292              | 25.365               |
| 18001441  | Veneer - oak or walnut   | 190 x 50 x 95 cm | HW61  | Black   | 1 pc       | 10-12 weeks  | 26.80 kg | 20.292              | 25.365               |
|           |  |                  |       | Bronzed |            |              |          | 20.292              | 25.365               |
| 30310020  | Cut out for cable management   |                  |       |         |            | 10 -12 weeks |          | 592                 | 740                  |
| 30310021  | Cable pit set / Black  |                  |       |         |            | 10 -12 weeks |          | 3.100               | 3.875                |
| 30310022  | Cable pit set / Silver   |                  |       |         |            | 10 -12 weeks |          | 3.100               | 3.875                |



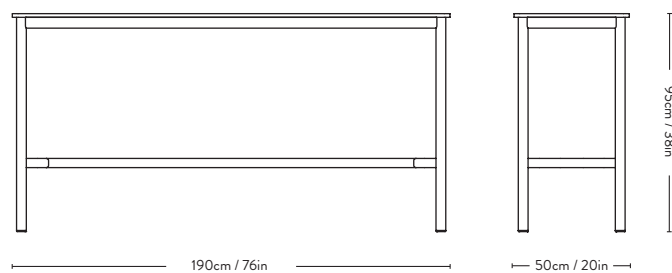
EU Ecolabel certified, validating high standards of durability, circular design, and responsible use of chemicals. Please contact our sales team for a list of EU Ecolabel compliant combinations.

**Material:** Steel and aluminium base, MDF tabletop with Fenix Nano laminate, Forbo linoleum or wood veneer.

Nero Ingo is produced with a matching high gloss edgeband.

All other colours are produced with a matching ABS edgeband. Wood veneer is produced with a matching edgeband.

All table tops and edgebands can be mixed and matched  
 Plastic gliders installed as standard.  
 Castors are available upon request.



HW61



# Drip HW62 Hee Welling 2021



| Item code            | Table top  | Size             | Model | Base             | Colli qty. | Lead time    | Weight   | PRICE EX. VAT (SEK) | PRICE INC. VAT (SEK) |
|----------------------|--|------------------|-------|------------------|------------|--------------|----------|---------------------|----------------------|
| 18001501<br>18001506 | Nero Ingo Fenix Nano Laminate (0720)   | 190 x 80 x 95 cm | HW62  | Black<br>Bronzed | 1 pc       | Stock item   | 36.00 kg | 17.904              | 22.380               |
| 18001550<br>18001556 | Smokey Blue Forbo Linoleum (4179) & Dark Blue Ostermann (043.5984), Glossy Edge    | 190 x 80 x 95 cm | HW62  | Black<br>Bronzed | 1 pc       | 10-12 weeks  | 36.00 kg | 19.100              | 23.875               |
| 18001551<br>18001557 | Pearl Forbo Linoleum (4157) & Soft Yellow Rehau (78162), Glossy Edge               | 190 x 80 x 95 cm | HW62  | Black<br>Bronzed | 1 pc       | 10-12 weeks  | 36.00 kg | 19.100              | 23.875               |
| 18001511<br>18001512 | Burgundy Forbo Linoleum (4154) & Red Ostermann (043.4110), Glossy Edge             | 190 x 80 x 95 cm | HW62  | Black<br>Bronzed | 1 pc       | 10-12 weeks  | 36.00 kg | 19.100              | 23.875               |
| 18001552<br>18001558 | Castoro Ottawa Fenix Nano Laminate (0720) & Light Brown Rehau (V1272), Glossy Edge | 190 x 80 x 95 cm | HW62  | Black<br>Bronzed | 1 pc       | 10-12 weeks  | 36.00 kg | 20.292              | 25.365               |
| 18001553<br>18001559 | Cacao Orinoco Fenix Nano Laminate (0749) & Grey Brown Rehau (71038), Glossy Edge   | 190 x 80 x 95 cm | HW62  | Black<br>Bronzed | 1 pc       | 10-12 weeks  | 36.00 kg | 20.292              | 25.365               |
| 18001554<br>18001560 | Verde Comodoro Fenix Nano Laminate (0750) & Grey Rehau (97959), Glossy Edge        | 190 x 80 x 95 cm | HW62  | Black<br>Bronzed | 1 pc       | 10-12 weeks  | 36.00 kg | 20.292              | 25.365               |
| 18001555<br>18001561 | Azzurro Naxos Fenix Nano Laminate (0771) & Light Blue Rehau (77193), Glossy Edge   | 190 x 80 x 95 cm | HW62  | Black<br>Bronzed | 1 pc       | 10-12 weeks  | 36.00 kg | 20.292              | 25.365               |
| 18001521             | Linoleum - all colours   | 190 x 80 x 95 cm | HW62  | Black<br>Bronzed | 1 pc       | 10-12 weeks  | 36.00 kg | 19.100              | 23.875               |
| 18001531             | Nano Laminate - all colours  | 190 x 80 x 95 cm | HW62  | Black<br>Bronzed | 1 pc       | 10-12 weeks  | 36.00 kg | 20.292              | 25.365               |
| 18001541             | Veneer - oak or walnut   | 190 x 80 x 95 cm | HW62  | Black<br>Bronzed | 1 pc       | 10-12 weeks  | 36.00 kg | 20.292              | 25.365               |
| 30310020             | Cut out for cable management   |                  |       |                  |            | 10 -12 weeks |          | 592                 | 740                  |
| 30310021             | Cable pit set / Black  |                  |       |                  |            | 10 -12 weeks |          | 3.100               | 3.875                |
| 30310022             | Cable pit set / Silver   |                  |       |                  |            | 10 -12 weeks |          | 3.100               | 3.875                |



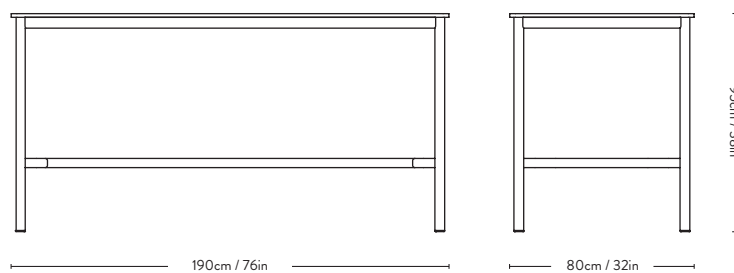
EU Ecolabel certified, validating high standards of durability, circular design, and responsible use of chemicals. Please contact our sales team for a list of EU Ecolabel compliant combinations.

**Material:** Aluminium base, MDF tabletop with Fenix Nano laminate, Forbo linoleum or wood veneer.

Nero Ingo is produced with a matching high gloss edgeband.

All other colours are produced with a matching ABS edgeband. Wood veneer is produced with a matching edgeband.

All table tops and edgebands can be mixed and matched  
Plastic gliders installed as standard.  
Castors are available upon request.



HW62

# Drip HW63

## Hee Welling

### 2021



| Item code            | Table top  | Size              | Model | Base              | Colli qty. | Lead time    | Weight   | PRICE EX. VAT (SEK) | PRICE INC. VAT (SEK) |
|----------------------|--|-------------------|-------|-------------------|------------|--------------|----------|---------------------|----------------------|
| 18001601<br>18001606 | Nero Ingo Fenix Nano Laminate (0720)   | 190 x 50 x 105 cm | HW63  | Black<br>Bronzed  | 1 pc       | Stock item   | 28.00 kg | 17.308              | 21.635               |
| 18001650<br>18001656 | Smokey Blue Forbo Linoleum (4179) & Dark Blue Ostermann (043.5984), Glossy Edge    | 190 x 50 x 105 cm | HW63  | Black<br>Bronzed  | 1 pc       | 10-12 weeks  | 28.00 kg | 19.100              | 23.875               |
| 18001651<br>18001657 | Pearl Forbo Linoleum (4157) & Soft Yellow Rehau (78162), Glossy Edge               | 190 x 50 x 105 cm | HW63  | Black<br>Bronzed  | 1 pc       | 10-12 weeks  | 28.00 kg | 19.100              | 23.875               |
| 18001611<br>18001612 | Burgundy Forbo Linoleum (4154) & Red Ostermann (043.4110), Glossy Edge             | 190 x 50 x 105 cm | HW63  | Black<br>Bronzed  | 1 pc       | 10-12 weeks  | 28.00 kg | 19.100              | 23.875               |
| 18001652<br>18001658 | Castoro Ottawa Fenix Nano Laminate (0720) & Light Brown Rehau (V1272), Glossy Edge | 190 x 50 x 105 cm | HW63  | Black<br>Bronzed  | 1 pc       | 10-12 weeks  | 28.00 kg | 20.292              | 25.365               |
| 18001653<br>18001659 | Cacao Orinoco Fenix Nano Laminate (0749) & Grey Brown Rehau (71038), Glossy Edge   | 190 x 50 x 105 cm | HW63  | Black<br>Bronzed  | 1 pc       | 10-12 weeks  | 28.00 kg | 20.292              | 25.365               |
| 18001654<br>18001660 | Verde Comodoro Fenix Nano Laminate (0750) & Grey Rehau (97959), Glossy Edge        | 190 x 50 x 105 cm | HW63  | Black<br>Bronzed  | 1 pc       | 10-12 weeks  | 28.00 kg | 20.292              | 25.365               |
| 18001655<br>18001661 | Azzurro Naxos Fenix Nano Laminate (0771) & Light Blue Rehau (77193), Glossy Edge   | 190 x 50 x 105 cm | HW63  | Black<br>Bronzed  | 1 pc       | 10-12 weeks  | 28.00 kg | 20.292              | 25.365               |
| 18001621             | Linoleum - all colours   | 190 x 50 x 105 cm | HW63  | Black<br>Bronzed  | 1 pc       | 10-12 weeks  | 28.00 kg | 19.100              | 23.875               |
| 18001631             | Nano Laminate - all colours  | 190 x 50 x 105 cm | HW63  | Black<br>Bronzed  | 1 pc       | 10-12 weeks  | 28.00 kg | 20.292              | 25.365               |
| 18001641             | Veneer - oak or walnut   | 190 x 50 x 105 cm | HW63  | Black,<br>Bronzed | 1 pc       | 10-12 weeks  | 28.00 kg | 20.292              | 25.365               |
| 30310020             | Cut out for cable management   |                   |       |                   |            | 10 -12 weeks |          | 592                 | 740                  |
| 30310021             | Cable pit set / Black  |                   |       |                   |            | 10 -12 weeks |          | 3.100               | 3.875                |
| 30310022             | Cable pit set / Silver   |                   |       |                   |            | 10 -12 weeks |          | 3.100               | 3.875                |



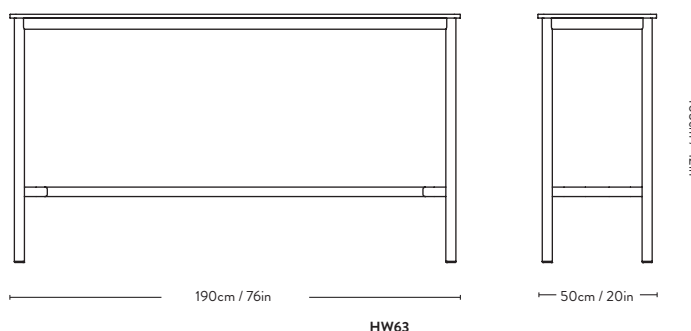
EU Ecolabel certified, validating high standards of durability, circular design, and responsible use of chemicals. Please contact our sales team for a list of EU Ecolabel compliant combinations.

**Material:** Aluminium base, MDF tabletop with Fenix Nano laminate, Forbo linoleum or wood veneer.

Nero Ingo is produced with a matching high gloss edgeband.

All other colours are produced with a matching ABS edgeband. Wood veneer is produced with a matching edgeband.

All table tops and edgebands can be mixed and matched  
Plastic gliders installed as standard.  
Castors are available upon request.



# Drip HW64 Hee Welling 2021



| Item code            | Table top  | Size              | Model | Base             | Colli qty. | Lead time    | Weight   | PRICE EX. VAT (SEK) | PRICE INC. VAT (SEK) |
|----------------------|--|-------------------|-------|------------------|------------|--------------|----------|---------------------|----------------------|
| 18001701<br>18001706 | Nero Ingo Fenix Nano Laminate (0720)   | 190 x 80 x 105 cm | HW64  | Black<br>Bronzed | 1 pc       | Stock item   | 37.20 kg | 17.904              | 22.380               |
| 18001750<br>18001756 | Smokey Blue Forbo Linoleum (4179) & Dark Blue Ostermann (043.5984), Glossy Edge    | 190 x 80 x 105 cm | HW64  | Black<br>Bronzed | 1          | 10-12 weeks  | 37.20 kg | 19.100              | 23.875               |
| 18001751<br>18001757 | Pearl Forbo Linoleum (4157) & Soft Yellow Rehau (78162), Glossy Edge               | 190 x 80 x 105 cm | HW64  | Black<br>Bronzed | 1          | 10-12 weeks  | 37.20 kg | 19.100              | 23.875               |
| 18001711<br>18001712 | Burgundy Forbo Linoleum (4154) & Red Ostermann (043.4110), Glossy Edge             | 190 x 80 x 105 cm | HW64  | Black<br>Bronzed | 1          | 10-12 weeks  | 37.20 kg | 19.100              | 23.875               |
| 18001752<br>18001758 | Castoro Ottawa Fenix Nano Laminate (0720) & Light Brown Rehau (V1272), Glossy Edge | 190 x 80 x 105 cm | HW64  | Black<br>Bronzed | 1          | 10-12 weeks  | 37.20 kg | 20.292              | 25.365               |
| 18001753<br>18001759 | Cacao Orinoco Fenix Nano Laminate (0749) & Grey Brown Rehau (71038), Glossy Edge   | 190 x 80 x 105 cm | HW64  | Black<br>Bronzed | 1          | 10-12 weeks  | 37.20 kg | 20.292              | 25.365               |
| 18001754<br>18001760 | Verde Comodoro Fenix Nano Laminate (0750) & Grey Rehau (97959), Glossy Edge        | 190 x 80 x 105 cm | HW64  | Black<br>Bronzed | 1          | 10-12 weeks  | 37.20 kg | 20.292              | 25.365               |
| 18001755<br>18001761 | Azzurro Naxos Fenix Nano Laminate (0771) & Light Blue Rehau (77193), Glossy Edge   | 190 x 80 x 105 cm | HW64  | Black<br>Bronzed | 1          | 10-12 weeks  | 37.20 kg | 20.292              | 25.365               |
| 18001721             | Linoleum - all colours   | 190 x 80 x 105 cm | HW64  | Black<br>Bronzed | 1 pc       | 10-12 weeks  | 37.20 kg | 19.100              | 23.875               |
| 18001731             | Nano Laminate - all colours  | 190 x 80 x 105 cm | HW64  | Black<br>Bronzed | 1 pc       | 10-12 weeks  | 37.20 kg | 20.292              | 25.365               |
| 18001741             | Veneer - oak or walnut   | 190 x 80 x 105 cm | HW64  | Black<br>Bronzed | 1 pc       | 10-12 weeks  | 37.20 kg | 20.292              | 25.365               |
| 30310020             | Cut out for cable management   |                   |       |                  |            | 10 -12 weeks |          | 592                 | 740                  |
| 30310021             | Cable pit set / Black  |                   |       |                  |            | 10 -12 weeks |          | 3.100               | 3.875                |
| 30310022             | Cable pit set / Silver   |                   |       |                  |            | 10 -12 weeks |          | 3.100               | 3.875                |



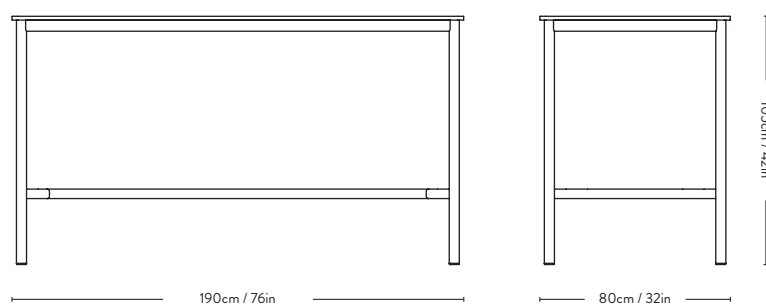
EU Ecolabel certified, validating high standards of durability, circular design, and responsible use of chemicals. Please contact our sales team for a list of EU Ecolabel compliant combinations.

**Material:** Steel and aluminium base, MDF tabletop with Fenix Nano laminate, Forbo linoleum or wood veneer.

Nero Ingo is produced with a matching high gloss edgeband.

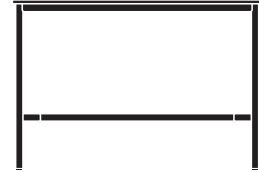
All other colours are produced with a matching ABS edgeband. Wood veneer is produced with a matching edgeband.

All table tops and edgebands can be mixed and matched  
Plastic gliders installed as standard.  
Castors are available upon request.



HW64

# Drip <sup>HW111</sup> Hee Welling 2021



| Item code            | Table top  | Size             | Model | Base             | Colli qty. | Lead time    | Weight   | PRICE EX. VAT (SEK) | PRICE INC. VAT (SEK) |
|----------------------|--|------------------|-------|------------------|------------|--------------|----------|---------------------|----------------------|
| 18004201<br>18004206 | Nero Ingo Fenix Nano Laminate (0720)   | 140 x 50 x 95 cm | HW111 | Black<br>Bronzed | 1 pc       | Stock item   | 22.90 kg | 16.712              | 20.890               |
| 18004250<br>18004256 | Smokey Blue Forbo Linoleum (4179) & Dark Blue Ostermann (043.5984), Glossy Edge    | 140 x 50 x 95 cm | HW111 | Black<br>Bronzed | 1 pc       | 10-12 weeks  | 22.90 kg | 17.904              | 22.380               |
| 18004251<br>18004257 | Pearl Forbo Linoleum (4157) & Soft Yellow Rehau (78162), Glossy Edge               | 140 x 50 x 95 cm | HW111 | Black<br>Bronzed | 1 pc       | 10-12 weeks  | 22.90 kg | 17.904              | 22.380               |
| 18004211<br>18004212 | Burgundy Forbo Linoleum (4154) & Red Ostermann (043.4110), Glossy Edge             | 140 x 50 x 95 cm | HW111 | Black<br>Bronzed | 1 pc       | 10-12 weeks  | 22.90 kg | 17.904              | 22.380               |
| 18004252<br>18004258 | Castoro Ottawa Fenix Nano Laminate (0720) & Light Brown Rehau (V1272), Glossy Edge | 140 x 50 x 95 cm | HW111 | Black<br>Bronzed | 1 pc       | 10-12 weeks  | 22.90 kg | 19.100              | 23.875               |
| 18004253<br>18004259 | Cacao Orinoco Fenix Nano Laminate (0749) & Grey Brown Rehau (71038), Glossy Edge   | 140 x 50 x 95 cm | HW111 | Black<br>Bronzed | 1 pc       | 10-12 weeks  | 22.90 kg | 19.100              | 23.875               |
| 18004254<br>18004260 | Verde Comodoro Fenix Nano Laminate (0750) & Grey Rehau (97959), Glossy Edge        | 140 x 50 x 95 cm | HW111 | Black<br>Bronzed | 1 pc       | 10-12 weeks  | 22.90 kg | 19.100              | 23.875               |
| 18004255<br>18004261 | Azzurro Naxos Fenix Nano Laminate (0771) & Light Blue Rehau (77193), Glossy Edge   | 140 x 50 x 95 cm | HW111 | Black<br>Bronzed | 1 pc       | 10-12 weeks  | 22.90 kg | 19.100              | 23.875               |
| 18004221             | Linoleum - all colours   | 140 x 50 x 95 cm | HW111 | Black<br>Bronzed | 1 pc       | 10-12 weeks  | 22.90 kg | 17.904              | 22.380               |
| 18004231             | Nano Laminate - all colours  | 140 x 50 x 95 cm | HW111 | Black<br>Bronzed | 1 pc       | 10-12 weeks  | 22.90 kg | 19.100              | 23.875               |
| 18004241             | Veneer - oak or walnut   | 140 x 50 x 95 cm | HW111 | Black<br>Bronzed | 1 pc       | 10-12 weeks  | 22.90 kg | 19.100              | 23.875               |
| 30310020             | Cut out for cable management   |                  |       |                  |            | 10 -12 weeks |          | 592                 | 740                  |
| 30310021             | Cable pit set / Black  |                  |       |                  |            | 10 -12 weeks |          | 3.100               | 3.875                |
| 30310022             | Cable pit set / Silver   |                  |       |                  |            | 10 -12 weeks |          | 3.100               | 3.875                |



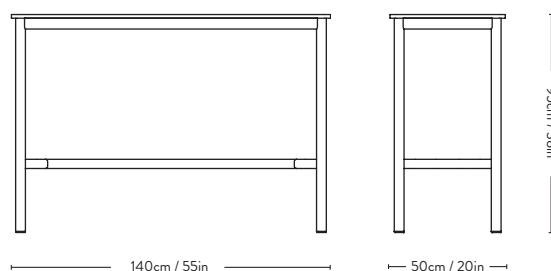
EU Ecolabel certified, validating high standards of durability, circular design, and responsible use of chemicals. Please contact our sales team for a list of EU Ecolabel compliant combinations.

**Material:** Steel and aluminium base, MDF tabletop with Fenix Nano laminate, Forbo linoleum or wood veneer.

Nero Ingo is produced with a matching high gloss edgeband.

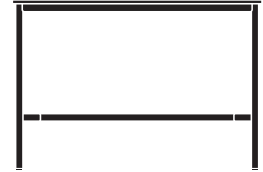
All other colours are produced with a matching ABS edgeband. Wood veneer is produced with a matching edgeband.

All table tops and edgebands can be mixed and matched  
Plastic gliders installed as standard.  
Castors are available upon request.



HW111

# Drip HW112 Hee Welling 2021



| Item code            | Table top  | Size             | Model | Base             | Colli qty. | Lead time    | Weight   | PRICE EX. VAT (SEK) | PRICE INC. VAT (SEK) |
|----------------------|--|------------------|-------|------------------|------------|--------------|----------|---------------------|----------------------|
| 18004301<br>18004306 | Nero Ingo Fenix Nano Laminate (0720)   | 140 x 80 x 95 cm | HW112 | Black<br>Bronzed | 1 pc       | Stock item   | 30.20 kg | 17.308              | 21.635               |
| 18004350<br>18004356 | Smokey Blue Forbo Linoleum (4179) & Dark Blue Ostermann (043.5984), Glossy Edge    | 140 x 80 x 95 cm | HW112 | Black<br>Bronzed | 1 pc       | 10-12 weeks  | 30.20 kg | 17.904              | 22.380               |
| 18004351<br>18004357 | Pearl Forbo Linoleum (4157) & Soft Yellow Rehau (78162), Glossy Edge               | 140 x 80 x 95 cm | HW112 | Black<br>Bronzed | 1 pc       | 10-12 weeks  | 30.20 kg | 17.904              | 22.380               |
| 18004311<br>18004312 | Burgundy Forbo Linoleum (4154) & Red Ostermann (043.4110), Glossy Edge             | 140 x 80 x 95 cm | HW112 | Black<br>Bronzed | 1 pc       | 10-12 weeks  | 30.20 kg | 17.904              | 22.380               |
| 18004352<br>18004358 | Castoro Ottawa Fenix Nano Laminate (0720) & Light Brown Rehau (V1272), Glossy Edge | 140 x 80 x 95 cm | HW112 | Black<br>Bronzed | 1 pc       | 10-12 weeks  | 30.20 kg | 19.100              | 23.875               |
| 18004353<br>18004359 | Cacao Orinoco Fenix Nano Laminate (0749) & Grey Brown Rehau (71038), Glossy Edge   | 140 x 80 x 95 cm | HW112 | Black<br>Bronzed | 1 pc       | 10-12 weeks  | 30.20 kg | 19.100              | 23.875               |
| 18004354<br>18004360 | Verde Comodoro Fenix Nano Laminate (0750) & Grey Rehau (97959), Glossy Edge        | 140 x 80 x 95 cm | HW112 | Black<br>Bronzed | 1 pc       | 10-12 weeks  | 30.20 kg | 19.100              | 23.875               |
| 18004355<br>18004361 | Azzurro Naxos Fenix Nano Laminate (0771) & Light Blue Rehau (77193), Glossy Edge   | 140 x 80 x 95 cm | HW112 | Black<br>Bronzed | 1 pc       | 10-12 weeks  | 30.20 kg | 19.100              | 23.875               |
| 18004321             | Linoleum - all colours   | 140 x 80 x 95 cm | HW112 | Black<br>Bronzed | 1 pc       | 10-12 weeks  | 30.20 kg | 17.904              | 22.380               |
| 18004331             | Nano Laminate - all colours  | 140 x 80 x 95 cm | HW112 | Black<br>Bronzed | 1 pc       | 10-12 weeks  | 30.20 kg | 19.100              | 23.875               |
| 18004341             | Veneer - oak or walnut   | 140 x 80 x 95 cm | HW112 | Black<br>Bronzed | 1 pc       | 10-12 weeks  | 30.20 kg | 19.100              | 23.875               |
| 30310020             | Cut out for cable management   |                  |       |                  |            | 10 -12 weeks |          | 592                 | 740                  |
| 30310021             | Cable pit set / Black  |                  |       |                  |            | 10 -12 weeks |          | 3.100               | 3.875                |
| 30310022             | Cable pit set / Silver   |                  |       |                  |            | 10 -12 weeks |          | 3.100               | 3.875                |



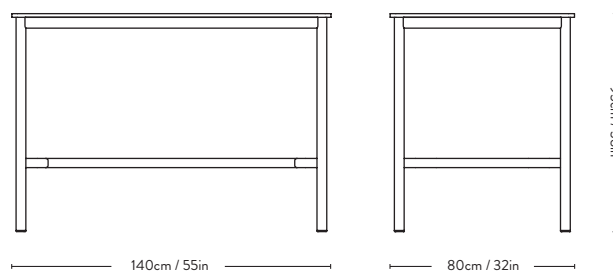
EU Ecolabel certified, validating high standards of durability, circular design, and responsible use of chemicals. Please contact our sales team for a list of EU Ecolabel compliant combinations.

**Material:** Steel and aluminium base, MDF tabletop with Fenix Nano laminate, Forbo linoleum or wood veneer.

Nero Ingo is produced with a matching high gloss edgeband.

All other colours are produced with a matching ABS edgeband. Wood veneer is produced with a matching edgeband.

All table tops and edgebands can be mixed and matched  
Plastic gliders installed as standard.  
Castors are available upon request.



# Drip HW113 Hee Welling 2021



| Item code            | Table top  | Size              | Model | Base              | Colli qty. | Lead time    | Weight   | PRICE EX. VAT (SEK) | PRICE INC. VAT (SEK) |
|----------------------|--|-------------------|-------|-------------------|------------|--------------|----------|---------------------|----------------------|
| 18004401<br>18004406 | Nero Ingo Fenix Nano Laminate (0720)   | 140 x 50 x 105 cm | HW113 | Black<br>Bronzed  | 1 pc       | Stock item   | 23.40 kg | 16.712              | 20.890               |
| 18004450<br>18004456 | Smokey Blue Forbo Linoleum (4179) & Dark Blue Ostermann (043.5984), Glossy Edge    | 140 x 50 x 105 cm | HW113 | Black<br>Bronzed  | 1 pc       | 10-12 weeks  | 23.40 kg | 17.904              | 22.380               |
| 18004451<br>18004457 | Pearl Forbo Linoleum (4157) & Soft Yellow Rehau (78162), Glossy Edge               | 140 x 50 x 105 cm | HW113 | Black<br>Bronzed  | 1 pc       | 10-12 weeks  | 23.40 kg | 17.904              | 22.380               |
| 18004411<br>18004412 | Burgundy Forbo Linoleum (4154) & Red Ostermann (043.4110), Glossy Edge             | 140 x 50 x 105 cm | HW113 | Black<br>Bronzed  | 1 pc       | 10-12 weeks  | 23.40 kg | 17.904              | 22.380               |
| 18004452<br>18004458 | Castoro Ottawa Fenix Nano Laminate (0720) & Light Brown Rehau (V1272), Glossy Edge | 140 x 50 x 105 cm | HW113 | Black<br>Bronzed  | 1 pc       | 10-12 weeks  | 23.40 kg | 19.100              | 23.875               |
| 18004453<br>18004459 | Cacao Orinoco Fenix Nano Laminate (0749) & Grey Brown Rehau (71038), Glossy Edge   | 140 x 50 x 105 cm | HW113 | Black<br>Bronzed  | 1 pc       | 10-12 weeks  | 23.40 kg | 19.100              | 23.875               |
| 18004454<br>18004460 | Verde Comodoro Fenix Nano Laminate (0750) & Grey Rehau (97959), Glossy Edge        | 140 x 50 x 105 cm | HW113 | Black<br>Bronzed  | 1 pc       | 10-12 weeks  | 23.40 kg | 19.100              | 23.875               |
| 18004455<br>18004461 | Azzurro Naxos Fenix Nano Laminate (0771) & Light Blue Rehau (77193), Glossy Edge   | 140 x 50 x 105 cm | HW113 | Black<br>Bronzed  | 1 pc       | 10-12 weeks  | 23.40 kg | 19.100              | 23.875               |
| 18004421             | Linoleum - all colours   | 140 x 50 x 105 cm | HW113 | Black<br>Bronzed  | 1 pc       | 10-12 weeks  | 23.40 kg | 17.904              | 22.380               |
| 18004441             | Nano Laminate - all colours  | 140 x 50 x 105 cm | HW113 | Black<br>Bronzed  | 1 pc       | 10-12 weeks  | 23.40 kg | 19.100              | 23.875               |
| 18004451             | Veneer - oak or walnut   | 140 x 50 x 105 cm | HW113 | Black,<br>Bronzed | 1 pc       | 10-12 weeks  | 23.40 kg | 19.100              | 23.875               |
| 30310020             | Cut out for cable management   |                   |       |                   |            | 10 -12 weeks |          | 592                 | 740                  |
| 30310021             | Cable pit set / Black  |                   |       |                   |            | 10 -12 weeks |          | 3.100               | 3.875                |
| 30310022             | Cable pit set / Silver   |                   |       |                   |            | 10 -12 weeks |          | 3.100               | 3.875                |



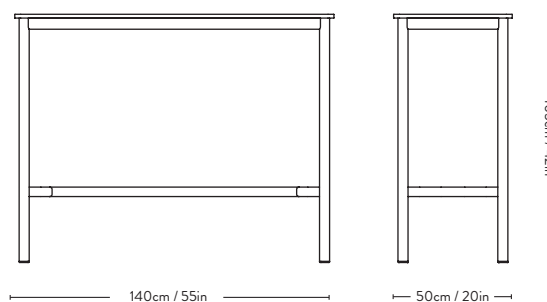
EU Ecolabel certified, validating high standards of durability, circular design, and responsible use of chemicals. Please contact our sales team for a list of EU Ecolabel compliant combinations.

**Material:** Steel and aluminium base, MDF tabletop with Fenix Nano laminate, Forbo linoleum or wood veneer.

Nero Ingo is produced with a matching high gloss edgeband.

All other colours are produced with a matching ABS edgeband. Wood veneer is produced with a matching edgeband.

All table tops and edgebands can be mixed and matched  
Plastic gliders installed as standard.  
Castors are available upon request.



HW113

# Drip HW114 Hee Welling 2021



| Item code            | Table top  | Size              | Model | Base             | Colli qty. | Lead time    | Weight   | PRICE EX. VAT (SEK) | PRICE INC. VAT (SEK) |
|----------------------|--|-------------------|-------|------------------|------------|--------------|----------|---------------------|----------------------|
| 18004501<br>18004506 | Nero Ingo Fenix Nano Laminate (0720)   | 140 x 80 x 105 cm | HW114 | Black<br>Bronzed | 1 pc       | Stock item   | 30.30 kg | 17.308<br>17.308    | 21.635<br>21.635     |
| 18004550<br>18004556 | Smokey Blue Forbo Linoleum (4179) & Dark Blue Ostermann (043.5984), Glossy Edge    | 140 x 80 x 105 cm | HW114 | Black<br>Bronzed | 1 pc       | 10-12 weeks  | 30.30 kg | 17.904<br>17.904    | 22.380<br>22.380     |
| 18004551<br>18004557 | Pearl Forbo Linoleum (4157) & Soft Yellow Rehau (78162), Glossy Edge               | 140 x 80 x 105 cm | HW114 | Black<br>Bronzed | 1 pc       | 10-12 weeks  | 30.30 kg | 17.904<br>17.904    | 22.380<br>22.380     |
| 18004511<br>18004512 | Burgundy Forbo Linoleum (4154) & Red Ostermann (043.4110), Glossy Edge             | 140 x 80 x 105 cm | HW114 | Black<br>Bronzed | 1 pc       | 10-12 weeks  | 30.30 kg | 17.904<br>17.904    | 22.380<br>22.380     |
| 18004552<br>18004558 | Castoro Ottawa Fenix Nano Laminate (0720) & Light Brown Rehau (V1272), Glossy Edge | 140 x 80 x 105 cm | HW114 | Black<br>Bronzed | 1 pc       | 10-12 weeks  | 30.30 kg | 19.100<br>19.100    | 23.875<br>23.875     |
| 18004553<br>18004559 | Cacao Orinoco Fenix Nano Laminate (0749) & Grey Brown Rehau (71038), Glossy Edge   | 140 x 80 x 105 cm | HW114 | Black<br>Bronzed | 1 pc       | 10-12 weeks  | 30.30 kg | 19.100<br>19.100    | 23.875<br>23.875     |
| 18004554<br>18004560 | Verde Comodoro Fenix Nano Laminate (0750) & Grey Rehau (97959), Glossy Edge        | 140 x 80 x 105 cm | HW114 | Black<br>Bronzed | 1 pc       | 10-12 weeks  | 30.30 kg | 19.100<br>19.100    | 23.875<br>23.875     |
| 18004555<br>18004561 | Azzurro Naxos Fenix Nano Laminate (0771) & Light Blue Rehau (77193), Glossy Edge   | 140 x 80 x 105 cm | HW114 | Black<br>Bronzed | 1 pc       | 10-12 weeks  | 30.30 kg | 19.100<br>19.100    | 23.875<br>23.875     |
| 18004521             | Linoleum - all colours   | 140 x 80 x 105 cm | HW114 | Black<br>Bronzed | 1 pc       | 10-12 weeks  | 30.30 kg | 17.904<br>17.904    | 22.380<br>22.380     |
| 18004531             | Nano Laminate - all colours  | 140 x 80 x 105 cm | HW114 | Black<br>Bronzed | 1 pc       | 10-12 weeks  | 30.30 kg | 19.100<br>19.100    | 23.875<br>23.875     |
| 18004541             | Veneer - oak or walnut   | 140 x 80 x 105 cm | HW114 | Black<br>Bronzed | 1 pc       | 10-12 weeks  | 30.30 kg | 19.100<br>19.100    | 23.875<br>23.875     |
| 30310020             | Cut out for cable management   |                   |       |                  |            | 10 -12 weeks |          | 592                 | 740                  |
| 30310021             | Cable pit set / Black  |                   |       |                  |            | 10 -12 weeks |          | 3.100               | 3.875                |
| 30310022             | Cable pit set / Silver   |                   |       |                  |            | 10 -12 weeks |          | 3.100               | 3.875                |



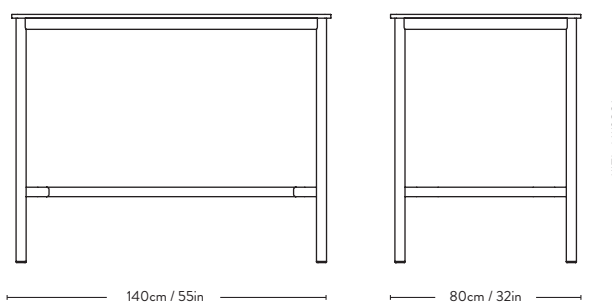
EU Ecolabel certified, validating high standards of durability, circular design, and responsible use of chemicals. Please contact our sales team for a list of EU Ecolabel compliant combinations.

**Material:** Steel and aluminium base, MDF tabletop with Fenix Nano laminate, Forbo linoleum or wood veneer.

Nero Ingo is produced with a matching high gloss edgeband.

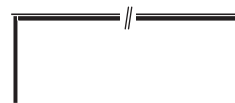
All other colours are produced with a matching ABS edgeband. Wood veneer is produced with a matching edgeband.

All table tops and edgebands can be mixed and matched  
Plastic gliders installed as standard.  
Castors are available upon request.



HW114

# Drip Made to order Hee Welling 2021



| Item code | Table top                     | Base           | Size                          | Lead time   | PRICE EX. VAT (SEK) | PRICE INC. VAT (SEK) |
|-----------|-------------------------------|----------------|-------------------------------|-------------|---------------------|----------------------|
| 18002221  | Forbo Linoleum                | Black, Bronzed | L: 141-170 x W: 80 x H: 74cm  | 10-12 weeks | 15.516              | 19.395               |
| 18002321  |                               |                | L: 171-200 x W: 80 x H: 74cm  |             | 17.308              | 21.635               |
| 18002421  |                               |                | L: 201-250 x W: 100 x H: 74cm |             | 19.100              | 23.875               |
| 18002521  |                               |                | L: 251-300 x W: 100 x H: 74cm |             | 22.680              | 28.350               |
| 18002601  |                               |                | L: 201-250 x W: 110 x H: 74cm |             | 20.292              | 25.365               |
| 18002611  |                               |                | L: 251-300 x W: 110 x H: 74cm |             | 23.276              | 29.095               |
| 18003421  |                               |                | L: 201-250 x W: 120 x H: 74cm |             | 21.488              | 26.860               |
| 18003521  | L: 251-300 x W: 120 x H: 74cm | 24.472         | 30.590                        |             |                     |                      |
| 18002231  | Fenix NTM Nano Laminate       | Black, Bronzed | L: 141-170 x W: 80 x H: 74cm  | 10-12 weeks | 16.112              | 20.140               |
| 18002331  |                               |                | L: 171-200 x W: 80 x H: 74cm  |             | 17.904              | 22.380               |
| 18002431  |                               |                | L: 201-250 x W: 100 x H: 74cm |             | 20.292              | 25.365               |
| 18002531  |                               |                | L: 251-300 x W: 100 x H: 74cm |             | 23.276              | 29.095               |
| 18002602  |                               |                | L: 201-250 x W: 110 x H: 74cm |             | 20.888              | 26.110               |
| 18002612  |                               |                | L: 251-300 x W: 110 x H: 74cm |             | 23.876              | 29.845               |
| 18003431  |                               |                | L: 201-250 x W: 120 x H: 74cm |             | 22.084              | 27.605               |
| 18003531  | L: 251-300 x W: 120 x H: 74cm | 25.068         | 31.335                        |             |                     |                      |
| 18002241  | Oak or Walnut Veneer          | Black, Bronzed | L: 141-170 x W: 80 x H: 74cm  | 10-12 weeks | 16.712              | 20.890               |
| 18002341  |                               |                | L: 171-200 x W: 80 x H: 74cm  |             | 18.500              | 23.125               |
| 18002441  |                               |                | L: 201-250 x W: 100 x H: 74cm |             | 21.488              | 26.860               |
| 18002541  |                               |                | L: 251-300 x W: 100 x H: 74cm |             | 23.876              | 29.845               |
| 18002603  |                               |                | L: 201-250 x W: 110 x H: 74cm |             | 21.488              | 26.860               |
| 18002613  |                               |                | L: 251-300 x W: 110 x H: 74cm |             | 24.472              | 30.590               |
| 18003441  |                               |                | L: 201-250 x W: 120 x H: 74cm |             | 22.680              | 28.350               |
| 18003541  | L: 251-300 x W: 120 x H: 74cm | 25.664         | 32.080                        |             |                     |                      |
| 30310020  | Cut out for cable management  |                |                               | 10-12 weeks | 592                 | 740                  |
| 30310021  | Cable access set / Black      |                |                               | 10-12 weeks | 3.100               | 3.875                |
| 30310022  | Cable access set / Silver     |                |                               | 10-12 weeks | 3.100               | 3.875                |

\* Please note that the cable access set is not pre-installed upon delivery



EU Ecolabel certified, validating high standards of durability, circular design, and responsible use of chemicals.

Please contact our sales team for a list of EU Ecolabel compliant combinations.

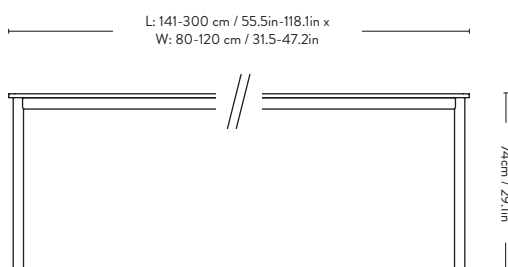
**Material:** Steel and aluminium base, MDF tabletop with Fenix Nano laminate, Forbo linoleum or wood veneer.

**Base:** Black or Bronzed.

All other colours are produced with a matching ABS edgeband. Wood veneer is produced with a matching edgeband.

Plastic gliders are installed as standard.

Castors are available upon request.





# Drip Made to order Hee Welling 2021



| Item code | Table top                     | Base           | Size                          | Lead time                     | PRICE EX. VAT (SEK) | PRICE INC. VAT (SEK)          |             |        |        |
|-----------|-------------------------------|----------------|-------------------------------|-------------------------------|---------------------|-------------------------------|-------------|--------|--------|
| 18002621  | Forbo Linoleum                | Black, Bronzed | L: 301-350 x W: 110 x H: 74cm | 10-12 weeks                   | 28.652              | 35.815                        |             |        |        |
| 18002721  |                               |                | L: 351-400 x W: 110 x H: 74cm |                               | 31.040              | 38.800                        |             |        |        |
| 18002821  |                               |                | L: 401-450 x W: 110 x H: 74cm |                               | 31.636              | 39.545                        |             |        |        |
| 18002921  |                               |                | L: 451-500 x W: 110 x H: 74cm |                               | 34.620              | 43.275                        |             |        |        |
| 18002950  |                               |                | L: 501-550 x W: 110 x H: 74cm |                               | 35.816              | 44.770                        |             |        |        |
| 18002965  |                               |                | L: 551-600 x W: 110 x H: 74cm |                               | 38.204              | 47.755                        |             |        |        |
| 18003621  |                               |                | L: 301-350 x W: 120 x H: 74cm |                               | 29.844              | 37.305                        |             |        |        |
| 18003721  |                               |                | L: 351-400 x W: 120 x H: 74cm |                               | 32.232              | 40.290                        |             |        |        |
| 18003821  |                               |                | L: 401-450 x W: 120 x H: 74cm |                               | 32.828              | 41.035                        |             |        |        |
| 18003921  |                               |                | L: 451-500 x W: 120 x H: 74cm |                               | 35.816              | 44.770                        |             |        |        |
| 18004021  |                               |                | L: 501-550 x W: 120 x H: 74cm |                               | 37.008              | 46.260                        |             |        |        |
| 18004121  |                               |                | L: 551-600 x W: 120 x H: 74cm |                               | 39.396              | 49.245                        |             |        |        |
| 18002631  |                               |                | Fenix NTM Nano Laminate       |                               | Black, Bronzed      | L: 301-350 x W: 110 x H: 74cm | 10-12 weeks | 29.844 | 37.305 |
| 18002731  |                               |                |                               |                               |                     | L: 351-400 x W: 110 x H: 74cm |             | 32.232 | 40.290 |
| 18002831  | L: 401-450 x W: 110 x H: 74cm | 32.828         |                               | 41.035                        |                     |                               |             |        |        |
| 18002931  | L: 451-500 x W: 110 x H: 74cm | 35.816         |                               | 44.770                        |                     |                               |             |        |        |
| 18002955  | L: 501-550 x W: 110 x H: 74cm | 37.008         |                               | 46.260                        |                     |                               |             |        |        |
| 18002970  | L: 551-600 x W: 110 x H: 74cm | 39.396         |                               | 49.245                        |                     |                               |             |        |        |
| 18003631  | L: 301-350 x W: 120 x H: 74cm | 31.040         |                               | 38.800                        |                     |                               |             |        |        |
| 18003731  | L: 351-400 x W: 120 x H: 74cm | 33.428         |                               | 41.785                        |                     |                               |             |        |        |
| 18003831  | L: 401-450 x W: 120 x H: 74cm | 34.024         |                               | 42.530                        |                     |                               |             |        |        |
| 18003931  | L: 451-500 x W: 120 x H: 74cm | 37.008         |                               | 46.260                        |                     |                               |             |        |        |
| 18004031  | L: 501-550 x W: 120 x H: 74cm | 38.204         |                               | 47.755                        |                     |                               |             |        |        |
| 18004131  | L: 551-600 x W: 120 x H: 74cm | 40.592         |                               | 50.740                        |                     |                               |             |        |        |
| 18002641  | Oak or Walnut Veneer          | Black, Bronzed |                               | L: 301-350 x W: 110 x H: 74cm |                     | 10-12 weeks                   |             | 31.040 | 38.800 |
| 18002741  |                               |                |                               | L: 351-400 x W: 110 x H: 74cm |                     |                               |             | 33.428 | 41.785 |
| 18002841  |                               |                | L: 401-450 x W: 110 x H: 74cm | 33.428                        | 41.785              |                               |             |        |        |
| 18002941  |                               |                | L: 451-500 x W: 110 x H: 74cm | 37.008                        | 46.260              |                               |             |        |        |
| 18002960  |                               |                | L: 501-550 x W: 110 x H: 74cm | 38.204                        | 47.755              |                               |             |        |        |
| 18002975  |                               |                | L: 551-600 x W: 110 x H: 74cm | 40.592                        | 50.740              |                               |             |        |        |
| 18003641  |                               |                | L: 301-350 x W: 120 x H: 74cm | 32.232                        | 40.290              |                               |             |        |        |
| 18003741  |                               |                | L: 351-400 x W: 120 x H: 74cm | 34.620                        | 43.275              |                               |             |        |        |
| 18003841  |                               |                | L: 401-450 x W: 120 x H: 74cm | 34.620                        | 43.275              |                               |             |        |        |
| 18003941  |                               |                | L: 451-500 x W: 120 x H: 74cm | 38.204                        | 47.755              |                               |             |        |        |
| 18004041  |                               |                | L: 501-550 x W: 120 x H: 74cm | 39.396                        | 49.245              |                               |             |        |        |
| 18004141  |                               |                | L: 551-600 x W: 120 x H: 74cm | 41.784                        | 52.230              |                               |             |        |        |
| 18009999  |                               |                | Linking device                |                               |                     |                               | Stock item  |        |        |
| 30310020  |                               |                | Cut out for cable management  |                               |                     |                               | 10-12 weeks | 592    | 740    |
| 30310021  | Cable access set / Black      |                |                               | 10-12 weeks                   | 3.100               | 3.875                         |             |        |        |
| 30310022  | Cable access set / Silver     |                |                               | 10-12 weeks                   | 3.100               | 3.875                         |             |        |        |



EU Ecolabel certified, validating high standards of durability, circular design, and responsible use of chemicals. Please contact our sales team for a list of EU Ecolabel compliant combinations.

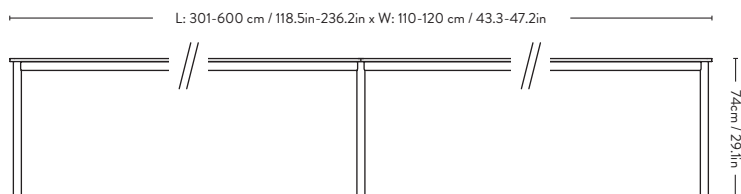
**Material:** Steel and aluminium base, MDF tabletop with Fenix Nano laminate, Forbo linoleum or wood veneer.

**Base:** Black or Bronzed.

All other colours are produced with a matching ABS edgeband. Wood veneer is produced with a matching edgeband. Tables larger than 3 meters are produced with 6 legs

Plastic gliders are installed as standard. Castors are available upon request.

\* Please note that the cable access set is not pre-installed upon delivery



# Pavilion AV16 & AV17 Anderssen & Voll 2021

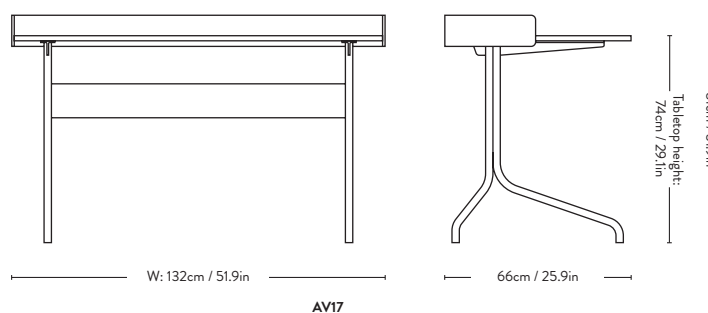
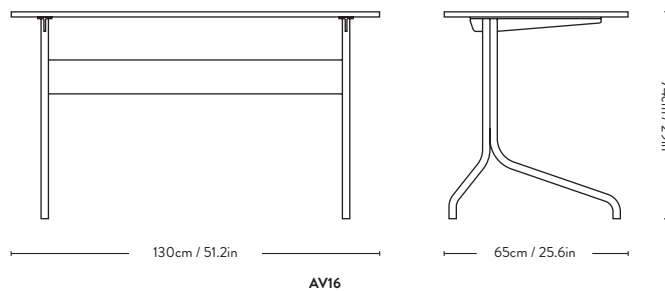


| Item no. | Product   | Model | Colli qty. | Lead time  | Weight   | PRICE EX. VAT (SEK) | PRICE INC. VAT (SEK) |
|----------|---|-------|------------|------------|----------|---------------------|----------------------|
| 50170000 | Black Linoleum (4023) w. black oak & black base | AV16  | 1 pc       | Stock item | 23.30 kg | 10.740              | 13.425               |
| 50170001 | Mushroom Linoleum (4176) w. oak & chrome base   | AV16  | 1 pc       | Stock item | 23.30 kg | 10.740              | 13.425               |
| 50170002 | Iron Linoleum (4178) w. walnut & chrome base    | AV16  | 1 pc       | Stock item | 23.30 kg | 10.740              | 13.425               |
| 50170003 | Mushroom Linoleum (4176) w. oak & chrome base   | AV17  | 1 pc       | Stock item | 24.20 kg | 13.128              | 16.410               |
| 50170004 | Iron Linoleum (4178) w. walnut & chrome base    | AV17  | 1 pc       | Stock item | 24.20 kg | 13.128              | 16.410               |

**Material:** Steel, Water based lacquered veneer, Forbo linoleum.

Plastic gliders are installed as standard.

Cut out and cable management available upon request with a minimum order quantity of same variant of 10 pcs.



# Pavilion AV18, AV19 & AV24

Anderssen & Voll 

2022

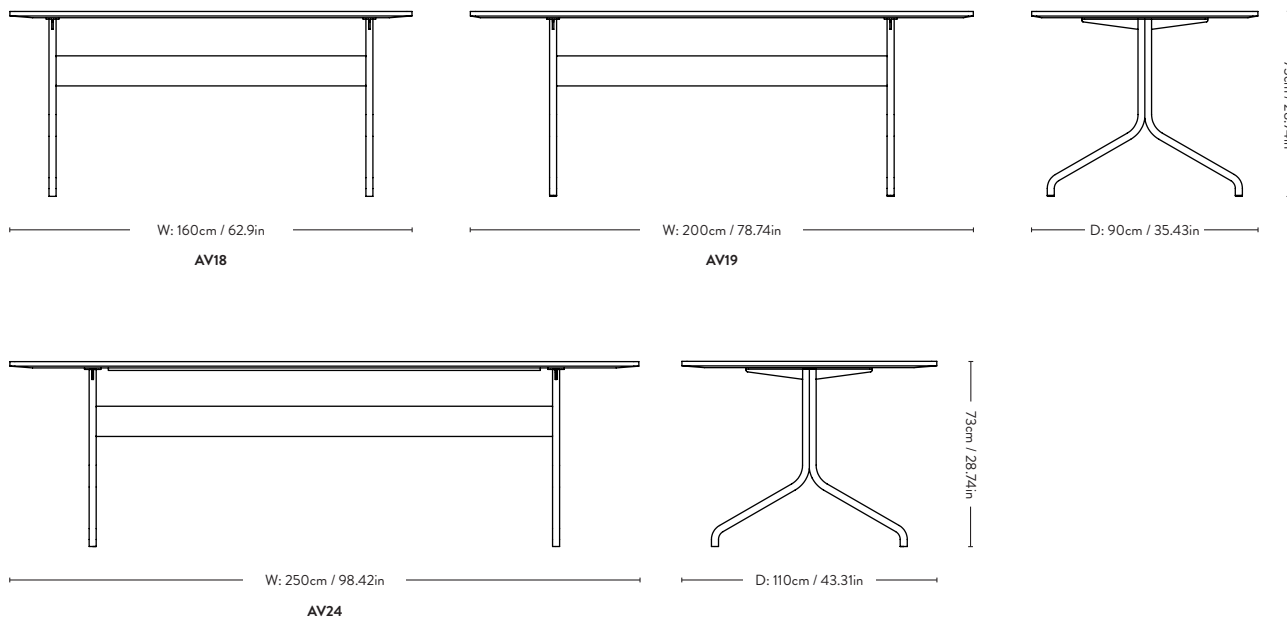


| Item no. | Top       | Size     | Base   | Model | Colli qty. | Lead time  | Weight  | PRICE EX. VAT (SEK) | PRICE INC. VAT (SEK) |
|----------|-----------|----------|--------|-------|------------|------------|---------|---------------------|----------------------|
| 50180000 | Oak       | 90x160cm | Black  | AV18  | 1 pc       | Stock item | 44.0 kg | 13.724              | 17.155               |
| 50180001 |           |          | Chrome |       |            |            |         | 13.724              | 17.155               |
| 50180002 | Black Oak | 90x160cm | Black  | AV18  | 1 pc       | Stock item | 44.0 kg | 13.724              | 17.155               |
| 50180003 |           |          | Chrome |       |            |            |         | 13.724              | 17.155               |
| 50180004 | Walnut    | 90x160cm | Black  | AV18  | 1 pc       | Stock item | 44.0 kg | 14.324              | 17.905               |
| 50180005 |           |          | Chrome |       |            |            |         | 14.324              | 17.905               |

| Item no. | Top       | Size     | Base   | Model | Colli qty. | Lead time  | Weight  | PRICE EX. VAT (SEK) | PRICE INC. VAT (SEK) |
|----------|-----------|----------|--------|-------|------------|------------|---------|---------------------|----------------------|
| 50190000 | Oak       | 90x200cm | Black  | AV19  | 1 pc       | Stock item | 53.5 kg | 14.920              | 18.650               |
| 50190001 |           |          | Chrome |       |            |            |         | 14.920              | 18.650               |
| 50190002 | Black Oak | 90x200cm | Black  | AV19  | 1 pc       | Stock item | 53.5 kg | 14.920              | 18.650               |
| 50190003 |           |          | Chrome |       |            |            |         | 14.920              | 18.650               |
| 50190004 | Walnut    | 90x200cm | Black  | AV19  | 1 pc       | Stock item | 53.5 kg | 15.516              | 19.395               |
| 50190005 |           |          | Chrome |       |            |            |         | 15.516              | 19.395               |

| Item no. | Top       | Size      | Base   | Model | Colli qty. | Lead time  | Weight  | PRICE EX. VAT (SEK) | PRICE INC. VAT (SEK) |
|----------|-----------|-----------|--------|-------|------------|------------|---------|---------------------|----------------------|
| 50260000 | Oak       | 110x250cm | Black  | AV24  | 1 pc       | Stock item | 62.0 kg | 21.488              | 26.860               |
| 50260001 |           |           | Chrome |       |            |            |         | 21.488              | 26.860               |
| 50260002 | Black Oak | 110x250cm | Black  | AV24  | 1 pc       | Stock item | 62.0 kg | 21.488              | 26.860               |
| 50260003 |           |           | Chrome |       |            |            |         | 21.488              | 26.860               |
| 50260004 | Walnut    | 110x250cm | Black  | AV24  | 1 pc       | Stock item | 62.0 kg | 22.680              | 28.350               |
| 50260005 |           |           | Chrome |       |            |            |         | 22.680              | 28.350               |

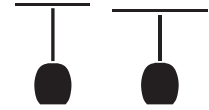
**Material:** Steel, Water based lacquered veneer, MDF  
Plastic gliders are installed as standard.



# Lato LN8 & LN9

## Luca Nichetto

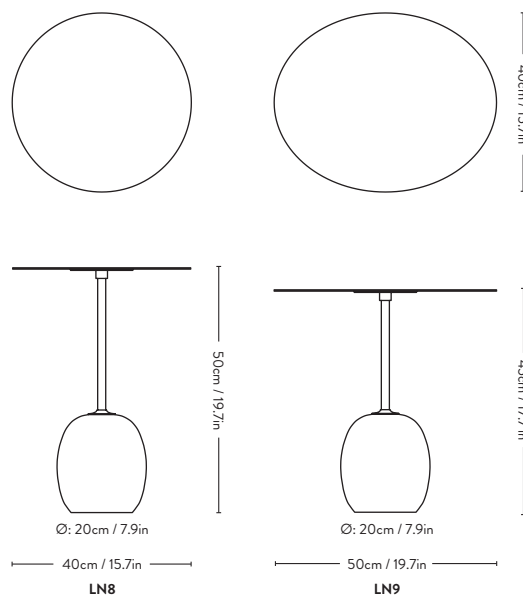
### 2018



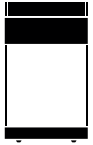
| Item no. | Product                          | Size    | Model | Colli qty. | Lead time  | Weight   | PRICE EX. VAT (SEK) | PRICE INC. VAT (SEK) |
|----------|----------------------------------|---------|-------|------------|------------|----------|---------------------|----------------------|
| 86202001 | Warm Black w. Emperador Marble   | Ø40cm   | LN8   | 1 pc       | Stock item | 19.50 kg | 4.532               | 5.665                |
| 86202005 | Ivory white w. Crema Diva Marble | Ø40cm   | LN8   | 1 pc       | Stock item | 19.50 kg | 4.532               | 5.665                |
| 86202030 | Deep Green w. Verde Alpi         | Ø40cm   | LN8   | 1 pc       | Stock item | 19.50 kg | 4.532               | 5.665                |
| 86202096 | Walnut w. Emperador marble       | Ø40cm   | LN8   | 1 pc       | Stock item | 19.00 kg | 5.008               | 6.260                |
| 86202092 | Oak w. Crema Diva marble         | Ø40cm   | LN8   | 1 pc       | Stock item | 19.00 kg | 5.248               | 6.560                |
| 86202010 | Warm Black w. Emperador Marble   | 40x50cm | LN9   | 1 pc       | Stock item | 20.10 kg | 4.532               | 5.665                |
| 86202015 | Ivory white w. Crema Diva Marble | 40x50cm | LN9   | 1 pc       | Stock item | 20.10 kg | 4.532               | 5.665                |
| 86202035 | Deep Green w. Verde Alpi         | 40x50cm | LN9   | 1 pc       | Stock item | 20.10 kg | 4.532               | 5.665                |
| 86202196 | Walnut w. Emperador marble       | 40x50cm | LN9   | 1 pc       | Stock item | 19.00 kg | 5.008               | 6.260                |
| 86202192 | Oak w. Crema Diva marble         | 40x50cm | LN9   | 1 pc       | Stock item | 19.00 kg | 5.248               | 6.560                |

**Material:** Marble and powder coated steel or water based lacquered veneer.

Felt gliders installed as standard.



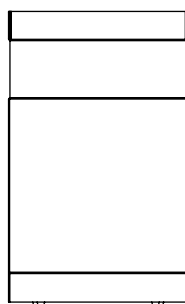
# Rotate<sup>SC73</sup> Space Copenhagen 2022



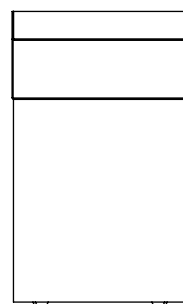
| Item no. | Colour     | Model | Colli qty. | Lead time  | Weight   | PRICE EX. VAT (SEK) | PRICE INC. VAT (SEK) |
|----------|------------|-------|------------|------------|----------|---------------------|----------------------|
| 42000001 | Terracotta | SC73  | 1 pc       | Stock item | 14.75 kg | 3.576               | 4.470                |
| 42000004 | Hunter     | SC73  | 1 pc       | Stock item | 14.75 kg | 3.576               | 4.470                |
| 42000005 | Ivory      | SC73  | 1 pc       | Stock item | 14.75 kg | 3.576               | 4.470                |
| 42000006 | Merlot     | SC73  | 1 pc       | Stock item | 14.75 kg | 3.576               | 4.470                |

**Material:** Powder coated steel, castors.

Thickness:  
0.2cm / 0.08in



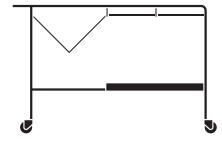
W: 35cm / 13.78in



D: 35cm / 13.78in

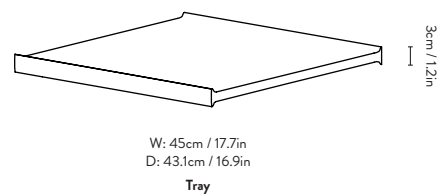
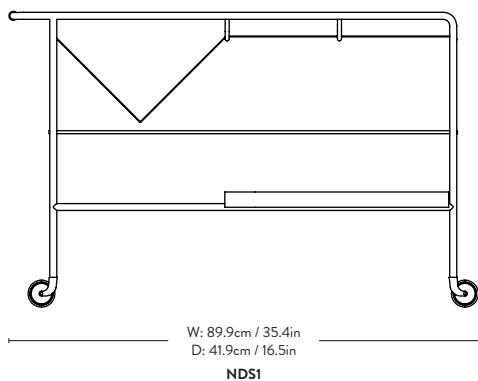
59cm / 23.23in

# Alima <sup>NDS1</sup> Note Design Studio 2022



| Item no. | Product    | Tray   | Model | Colli qty. | Lead time  | Weight  | PRICE EX. VAT (SEK) | PRICE INC. VAT (SEK) |
|----------|------------|--------|-------|------------|------------|---------|---------------------|----------------------|
| 23500001 | Chrome     | Oak    | NDS1  | 1 pc       | Stock item | 10.0 kg | 7.756               | 9.695                |
| 23500002 | Chrome     | Walnut | NDS1  | 1 pc       | Stock item | 10.0 kg | 7.756               | 9.695                |
| 23500003 | Matt Black | Oak    | NDS1  | 1 pc       | Stock item | 10.0 kg | 7.756               | 9.695                |
| 23500004 | Matt Black | Walnut | NDS1  | 1 pc       | Stock item | 10.0 kg | 7.756               | 9.695                |

**Material:** Steel / Powder coated steel trolley.  
Walnut / Oak trays. Leather handle. Castors.



NEW

# Halten SH9

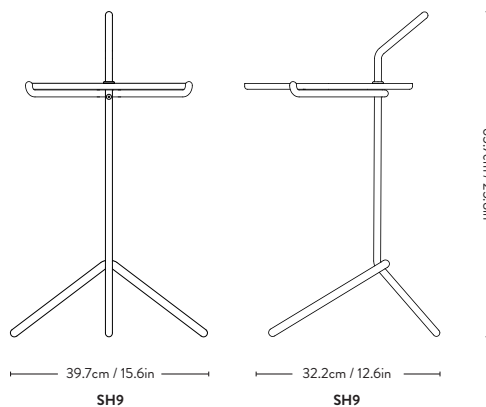
## Sebastian Herkner

### 2024



| Item no. | Colour                                      | Model | Colli qty. | Lead time  | Weight  | PRICE EX. VAT (SEK) | PRICE INC. VAT (SEK) |
|----------|---|-------|------------|------------|---------|---------------------|----------------------|
| 89101201 | Smoked Glass w. Warm black                  | SH9   | 1 pc       | Stock item | 6.74 kg | 4.172               | 5.215                |
| 89101202 | Verde Guatemala w. Warm black               | SH9   | 1 pc       | Stock item | 6.96 kg | 3.816               | 4.770                |
| 89101203 | Smoked Glass w. Polished stainless steel    | SH9   | 1 pc       | Stock item | 6.74 kg | 4.412               | 5.515                |
| 89101204 | Verde Guatemala w. Polished stainless steel | SH9   | 1 pc       | Stock item | 6.96 kg | 4.056               | 5.070                |

**Materials:** Steel, marble and cast glass



# Rely <sup>HW70</sup> Hee Welling 2022



| Item code | Shell Colour | Model | Base  | Colli qty. | Lead time | Weight  | PRICE EX. VAT (SEK) | PRICE INC. VAT (SEK) |
|-----------|--------------|-------|-------|------------|-----------|---------|---------------------|----------------------|
| HW        | Black        | HW70  | Black | 1 pc       | 3-6 weeks | 5.20 kg | 2.264               | 2.830                |
| HW        | White        | HW70  | Black | 1 pc       | 3-6 weeks | 5.20 kg | 2.264               | 2.830                |

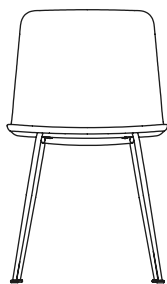
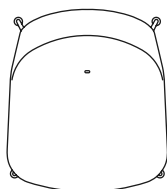
**Material:** Shell made from 100% recycled polypropylene with fiber glass and a steel tube base.

Plastic gliders installed as standard.

Small hole in the shell for water drainage.  
Black outdoor powder coating UV-resistant.



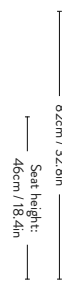
EU Ecolabel certified, validating high standards of durability, circular design, and responsible use of chemicals. Please contact our sales team for a list of EU Ecolabel compliant combinations.



47cm / 18.8in  
HW70



55cm / 21.6in  
HW70



82cm / 32.8in  
Seat height:  
45cm / 17.7in  
Seating depth:  
45cm / 17.7in



# Rely <sup>ATD4 & ATD5</sup> & Tradition 2022

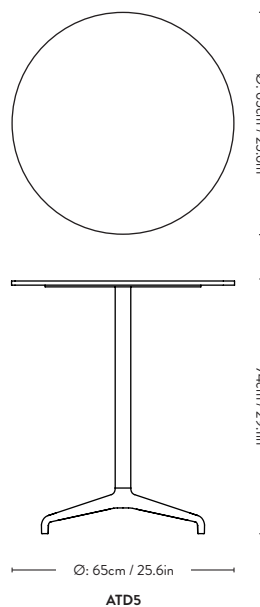
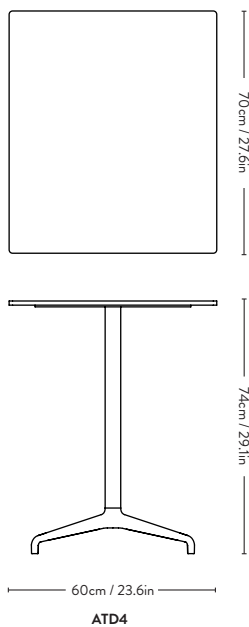


| Item no. | Product                     | Colour | Model | Colli qty. | Lead time  | Weight   | PRICE EX. VAT (SEK) | PRICE INC. VAT (SEK) |
|----------|-----------------------------|--------|-------|------------|------------|----------|---------------------|----------------------|
| 17910000 | Rely Café table<br>60x70 cm | Black  | ATD4  | 1 pc       | Stock item | 13.38 kg | 5.964               | 7.455                |
| 17910001 | Rely Café table<br>Ø65 cm   | Black  | ATD5  | 1 pc       | Stock item | 11.8 kg  | 5.964               | 7.455                |

**Material:** Aluminum, steel, compact laminate.

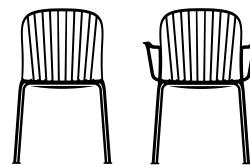
Suitable for outdoor use.

Black outdoor powder coating UV-resistant.



NEW

# Thorvald SC94 & SC95 Space Copenhagen 2024

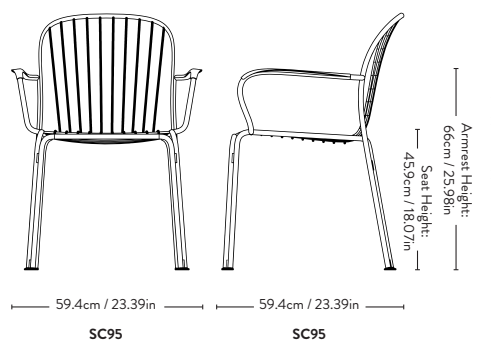
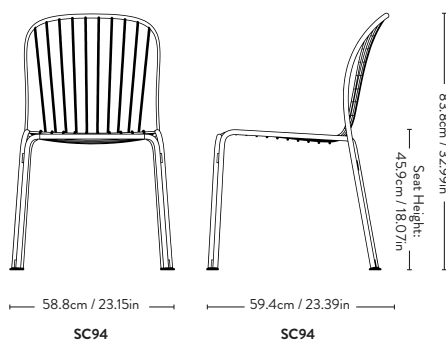
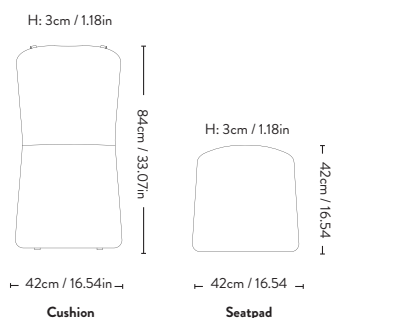


| Item no. | Product                 | Colour                      | Model     | Colli qty. | Lead time  | Weight  | PRICE EX. VAT (SEK) | PRICE INC. VAT (SEK) |
|----------|-------------------------|-----------------------------|-----------|------------|------------|---------|---------------------|----------------------|
| 88101010 | Thorvald Side chair     | Warm Black                  | SC94      | 2 pcs      | Stock item | 7.00 kg | 2.620               | 3.275                |
| 88101011 | Thorvald Side chair     | Bronze Green                | SC94      | 2 pcs      | Stock item | 7.00 kg | 2.620               | 3.275                |
| 88101012 | Thorvald Side chair     | Ivory                       | SC94      | 2 pcs      | Stock item | 7.00 kg | 2.620               | 3.275                |
| 89101010 | Thorvald Armchair       | Warm Black                  | SC95      | 2 pcs      | Stock item | 8.50 kg | 3.100               | 3.875                |
| 89101011 | Thorvald Armchair       | Bronze Green                | SC95      | 2 pcs      | Stock item | 8.50 kg | 3.100               | 3.875                |
| 89101012 | Thorvald Armchair       | Ivory                       | SC95      | 2 pcs      | Stock item | 8.50 kg | 3.100               | 3.875                |
| 89101055 | Thorvald Chair Cushion  | Sunbrella, Heritage Papyrus | SC94/SC95 | 1 pc       | Stock item | 0.60 kg | 1.188               | 1.485                |
| 89101056 | Thorvald Chair Cushion  | Sunbrella, Marquetry Bora   | SC94/SC95 | 1 pc       | Stock item | 0.60 kg | 1.428               | 1.785                |
| 89101060 | Thorvald Chair Seat Pad | Sunbrella, Heritage Papyrus | SC94/SC95 | 1 pc       | Stock item | 0.30 kg | 772                 | 965                  |
| 89101061 | Thorvald Chair Seat Pad | Sunbrella, Marquetry Bora   | SC94/SC95 | 1 pc       | Stock item | 0.30 kg | 888                 | 1.110                |

**Materials:**

Chairs: Powder coated steel

Cushions: Foam, wadding, fabric and metal buttons



NEW

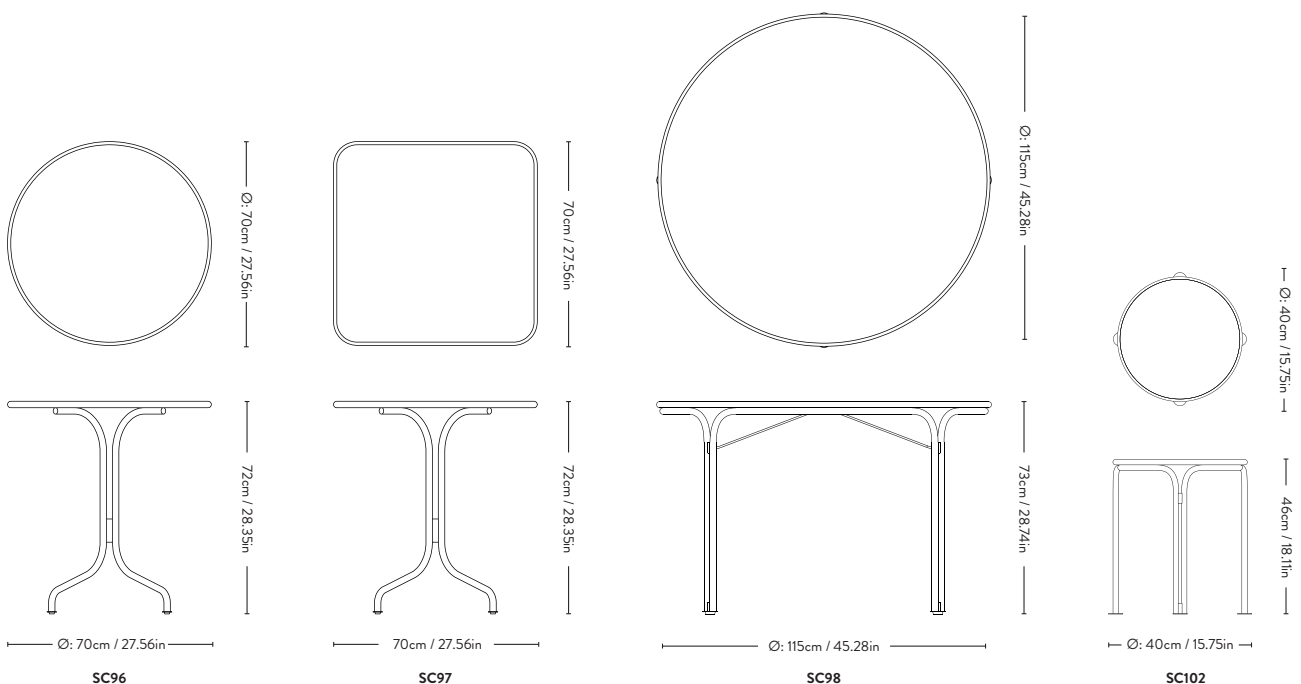
# Thorvald SC96, SC97, SC98 & 102

## Space Copenhagen 2024



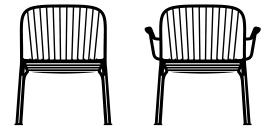
| Item no. | Product                           | Colour       | Model | Colli qty. | Lead time  | Weight   | PRICE EX. VAT (SEK) | PRICE INC. VAT (SEK) |
|----------|-----------------------------------|--------------|-------|------------|------------|----------|---------------------|----------------------|
| 89101020 | Thorvald Café Table Round, Ø70    | Warm Black   | SC96  | 1 pc       | Stock item | 11.90 kg | 5.368               | 6.710                |
| 89101021 | Thorvald Café Table Round, Ø70    | Bronze Green | SC96  | 1 pc       | Stock item | 11.90 kg | 5.368               | 6.710                |
| 89101022 | Thorvald Café Table Round, Ø70    | Ivory        | SC96  | 1 pc       | Stock item | 11.90 kg | 5.368               | 6.710                |
| 89101023 | Thorvald Café Table Square, 70x70 | Warm Black   | SC97  | 1 pc       | Stock item | 14.30 kg | 5.368               | 6.710                |
| 89101024 | Thorvald Café Table Square, 70x70 | Bronze Green | SC97  | 1 pc       | Stock item | 14.30 kg | 5.368               | 6.710                |
| 89101025 | Thorvald Café Table Square, 70x70 | Ivory        | SC97  | 1 pc       | Stock item | 14.30 kg | 5.368               | 6.710                |
| 89101026 | Thorvald Dining Table Round, Ø115 | Warm Black   | SC98  | 1 pc       | Stock item | 13.30 kg | 8.352               | 10.440               |
| 89101027 | Thorvald Dining Table Round, Ø115 | Bronze Green | SC98  | 1 pc       | Stock item | 13.30 kg | 8.352               | 10.440               |
| 89101028 | Thorvald Dining Table Round, Ø115 | Ivory        | SC98  | 1 pc       | Stock item | 13.30 kg | 8.352               | 10.440               |
| 89101030 | Thorvald Side table, Ø40          | Warm Black   | SC102 | 1 pc       | Stock item | 4.20 kg  | 2.144               | 2.680                |
| 89101031 | Thorvald Side table, Ø40          | Bronze Green | SC102 | 1 pc       | Stock item | 4.20 kg  | 2.144               | 2.680                |
| 89101032 | Thorvald Side table, Ø40          | Ivory        | SC102 | 1 pc       | Stock item | 4.20 kg  | 2.144               | 2.680                |

Materials: Powder coated steel



NEW

# Thorvald SC100 & SC101 Space Copenhagen 2024

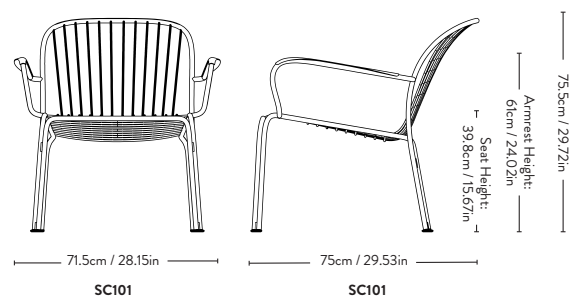
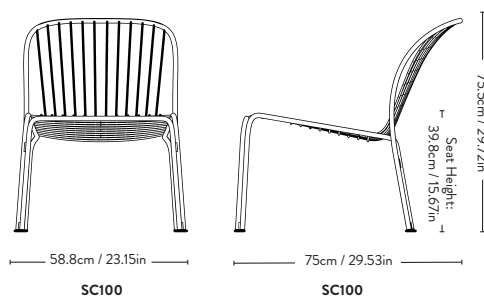
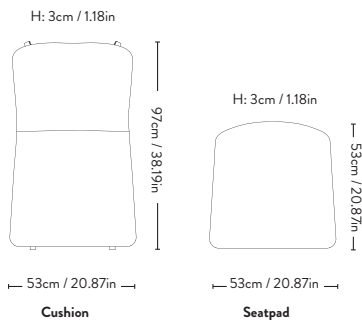


| Item no. | Product                        | Colour                      | Model         | Colli qty. | Lead time  | Weight  | PRICE EX. VAT (SEK) | PRICE INC. VAT (SEK) |
|----------|--------------------------------|-----------------------------|---------------|------------|------------|---------|---------------------|----------------------|
| 88101013 | Thorvald Lounge Side chair     | Warm Black                  | SC100         | 2 pcs      | Stock item | 7.80 kg | 3.576               | 4.470                |
| 88101014 | Thorvald Lounge Side chair     | Bronze Green                | SC100         | 2 pcs      | Stock item | 7.80 kg | 3.576               | 4.470                |
| 88101015 | Thorvald Lounge Side chair     | Ivory White                 | SC100         | 2 pcs      | Stock item | 7.80 kg | 3.576               | 4.470                |
| 89101013 | Thorvald Lounge Armchair       | Warm Black                  | SC101         | 2 pcs      | Stock item | 9.20 kg | 4.172               | 5.215                |
| 89101014 | Thorvald Lounge Armchair       | Bronze Green                | SC101         | 2 pcs      | Stock item | 9.20 kg | 4.172               | 5.215                |
| 89101015 | Thorvald Lounge Armchair       | Ivory White                 | SC101         | 2 pcs      | Stock item | 9.20 kg | 4.172               | 5.215                |
| 89101058 | Thorvald Lounge Chair Cushion  | Sunbrella, Heritage Papyrus | SC100 / SC101 | 1 pc       | Stock item | 0.70 kg | 1.308               | 1.635                |
| 89101059 | Thorvald Lounge Chair Cushion  | Sunbrella, Marquetry Bora   | SC100 / SC101 | 1 pc       | Stock item | 0.70 kg | 1.548               | 1.935                |
| 89101065 | Thorvald Lounge Chair Seat Pad | Sunbrella, Heritage Papyrus | SC100 / SC101 | 1 pc       | Stock item | 0.35 kg | 888                 | 1.110                |
| 89101066 | Thorvald Lounge Chair Seat Pad | Sunbrella, Marquetry Bora   | SC100 / SC101 | 1 pc       | Stock item | 0.35 kg | 1.008               | 1.260                |

**Materials:**

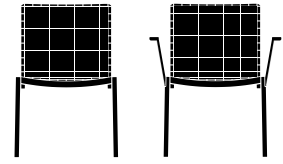
Chairs: Powder coated steel

Cushions: Foam, wadding, fabric and metal buttons



NEW

# Ville AV33 & AV34 Andersen & Voll 2024

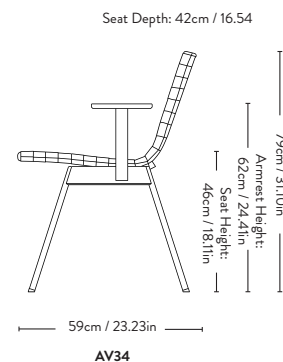
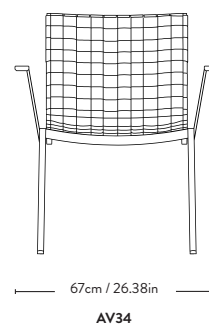
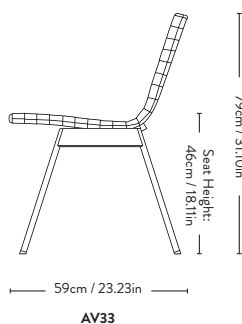
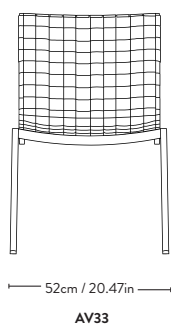
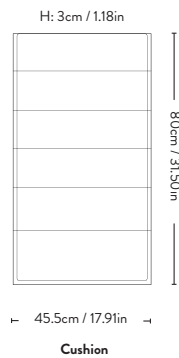


| Item no. | Product                  | Colour                      | Model     | Colli qty. | Lead time  | Weight  | PRICE EX. VAT (SEK) | PRICE INC. VAT (SEK) |
|----------|--------------------------|-----------------------------|-----------|------------|------------|---------|---------------------|----------------------|
| 28650001 | Ville Outdoor Side chair | Warm Black                  | AV33      | 2 pcs      | Stock item | 9.50 kg | 3.336               | 4.170                |
| 28650002 | Ville Outdoor Side chair | Bronze Green                | AV33      | 2 pcs      | Stock item | 9.50 kg | 3.336               | 4.170                |
| 28600001 | Ville Outdoor Armchair   | Warm Black                  | AV34      | 2 pcs      | Stock item | 8.20 kg | 3.816               | 4.770                |
| 28600002 | Ville Outdoor Armchair   | Bronze Green                | AV34      | 2 pcs      | Stock item | 8.20 kg | 3.816               | 4.770                |
| 28650003 | Ville Chair Cushion      | Sunbrella, Heritage Papyrus | AV33/AV34 | 1 pc       | Stock item | 0.50 kg | 1.188               | 1.485                |

**Materials:**

Chairs: Untreated Teak wood, Powder coated steel.

Cushions: Foam, Wadding, Fabric, Metal buttons.



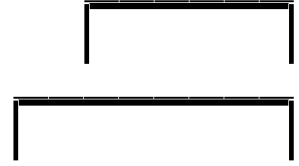
NEW

# Ville AV27 & AV28



## Andersen & Voll

### 2024

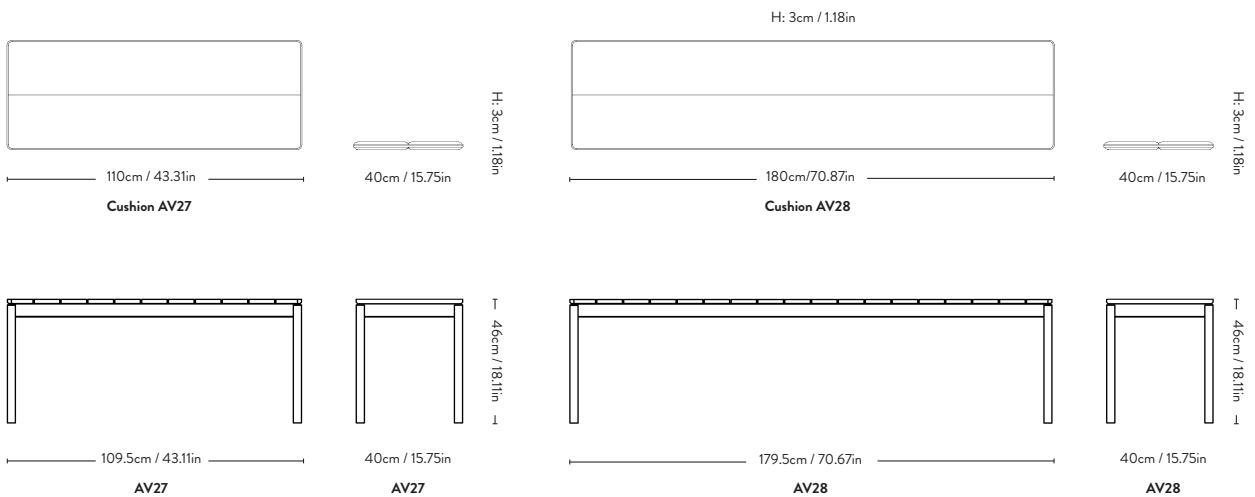


| Item no. | Product             | Size   | Base                        | Model | Colli qty. | Lead time  | Weight   | PRICE EX. VAT (SEK) | PRICE INC. VAT (SEK) |
|----------|---------------------|--------|-----------------------------|-------|------------|------------|----------|---------------------|----------------------|
| 28500001 | Ville Bench, Teak   | 110x40 | Warm Black                  | AV27  | 1 pc       | Stock item | 12.00 kg | 5.964               | 7.455                |
| 28500002 | Ville Bench, Teak   | 110x40 | Bronze Green                | AV27  | 1 pc       | Stock item | 12.00 kg | 5.964               | 7.455                |
| 28550001 | Ville Bench, Teak   | 180x40 | Warm Black                  | AV28  | 1 pc       | Stock item | 17.20 kg | 7.160               | 8.950                |
| 28550002 | Ville Bench, Teak   | 180x40 | Bronze Green                | AV28  | 1 pc       | Stock item | 17.20 kg | 7.160               | 8.950                |
| 28500003 | Ville Bench Cushion | 40x110 | Sunbrella, Heritage Papyrus | AV27  | 1 pc       | Stock item | 0.50 kg  | 1.188               | 1.485                |
| 28550003 | Ville Bench Cushion | 40x180 | Sunbrella, Heritage Papyrus | AV28  | 1 pc       | Stock item | 0.65 kg  | 1.664               | 2.080                |

**Materials:**

Bench: Untreated Teak wood, Powder coated steel

Cushions: Foam, Wadding, Fabric, Metal buttons.

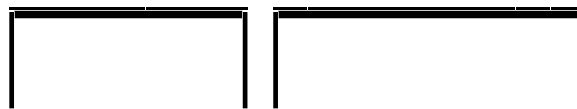


NEW

Ville AV25 & AV26



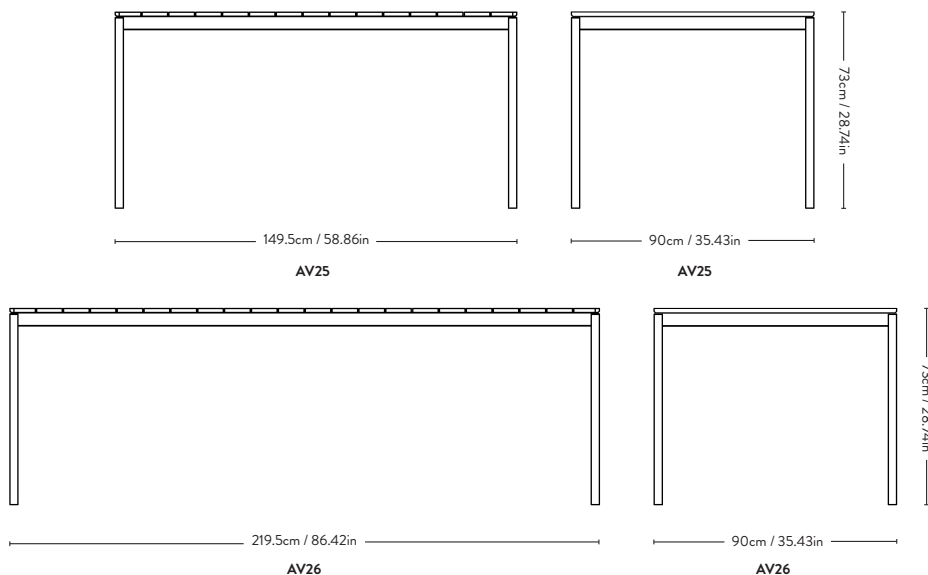
# Andersen & Voll 2024



| Item no. | Product     | Size   | Base         | Model | Colli qty. | Lead time  | Weight   | PRICE EX. VAT (SEK) | PRICE INC. VAT (SEK) |
|----------|-------------|--------|--------------|-------|------------|------------|----------|---------------------|----------------------|
| 28050001 | Ville Table | 150x90 | Warm Black   | AV25  | 1 pc       | Stock item | 32.00 kg | 11.936              | 14.920               |
| 28050002 | Ville Table | 150x90 | Bronze Green | AV25  | 1 pc       | Stock item | 32.00 kg | 11.936              | 14.920               |
| 28100001 | Ville Table | 220x90 | Warm Black   | AV26  | 1 pc       | Stock item | 44.00 kg | 14.324              | 17.905               |
| 28100002 | Ville Table | 220x90 | Bronze Green | AV26  | 1 pc       | Stock item | 44.00 kg | 14.324              | 17.905               |

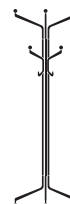
**Materials:**

Untreated Teak wood, powder coated steel



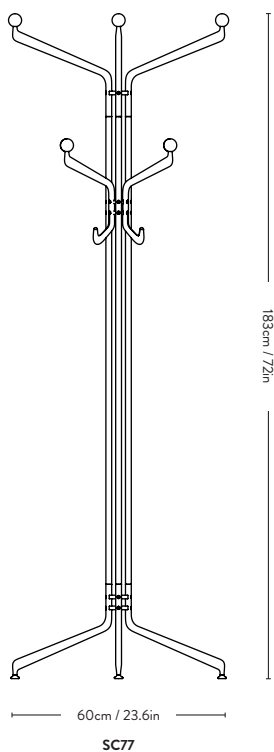
# Capture | Coat stand SC77

## Space Copenhagen 2022



| Item no. | Product              | Model | Colour                 | Colli qty. | Lead time  | Weight  | PRICE EX. VAT (SEK) | PRICE INC. VAT (SEK) |
|----------|----------------------|-------|------------------------|------------|------------|---------|---------------------|----------------------|
| 25050113 | Capture   Coat stand | SC77  | Graphite / Colour knob | 1 pc       | Stock item | 6.00 kg | 5.964               | 7.455                |
| 25050112 | Capture   Coat stand | SC77  | Graphite / Oak knob    | 1 pc       | Stock item | 6.00 kg | 5.964               | 7.455                |

**Materials:** Powder coated aluminium and water based lacquered oak.





# Amore SC49, SC50, SC56

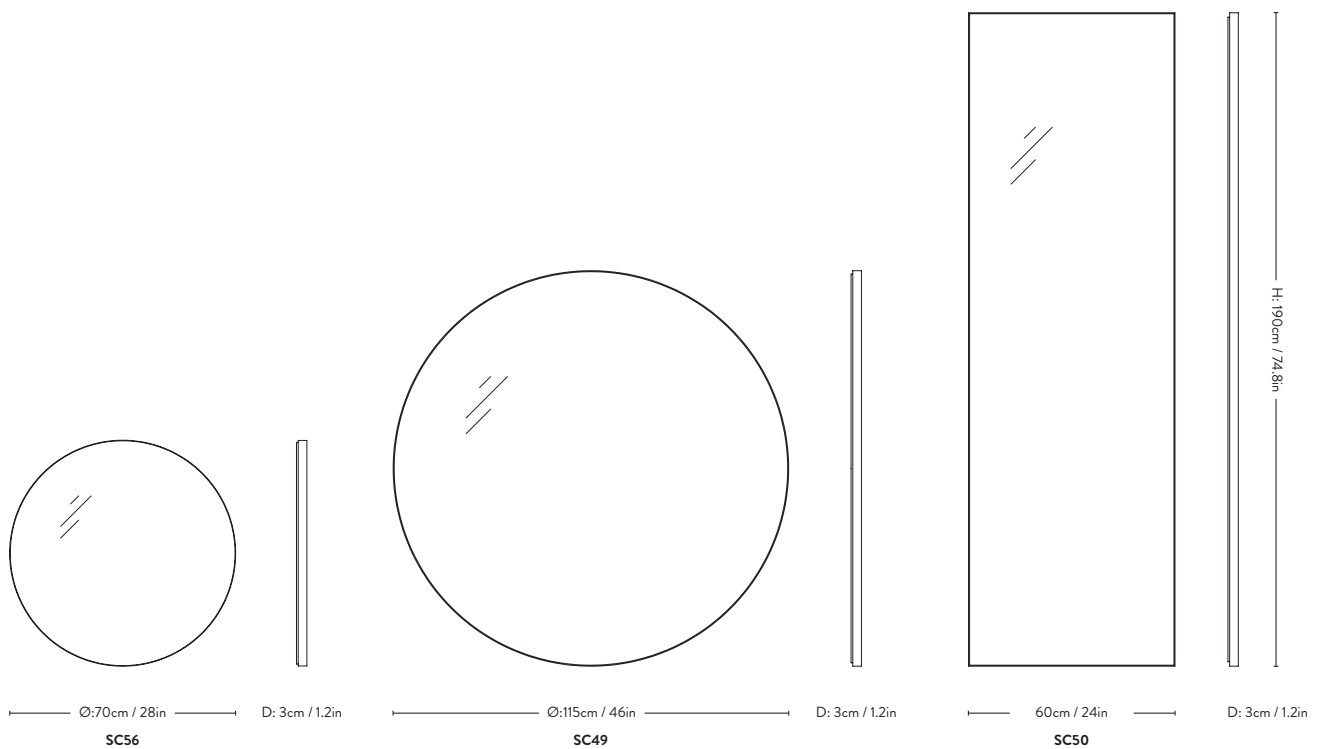
## Space Copenhagen

### 2018



| Item no. | Colour        | Size     | Model | Colli qty. | Lead time  | Weight   | PRICE EX. VAT (SEK) | PRICE INC. VAT (SEK) |
|----------|---------------|----------|-------|------------|------------|----------|---------------------|----------------------|
| 86101540 | Bronzed Brass | Ø70cm    | SC56  | 1 pc       | Stock item | 29.60 kg | 8.948               | 11.185               |
| 86101640 | Bronzed Brass | Ø115cm   | SC49  | 1 pc       | Stock item | 25.80 kg | 12.532              | 15.665               |
| 86101040 | Bronzed Brass | 60x190cm | SC50  | 1 pc       | Stock item | 29.60 kg | 14.920              | 18.650               |

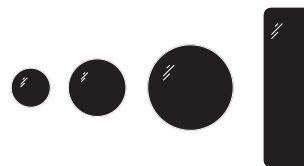
**Material:** Bronzed brass frame, silver coloured mirror, textile backing.



# Sillon SH4-SH7

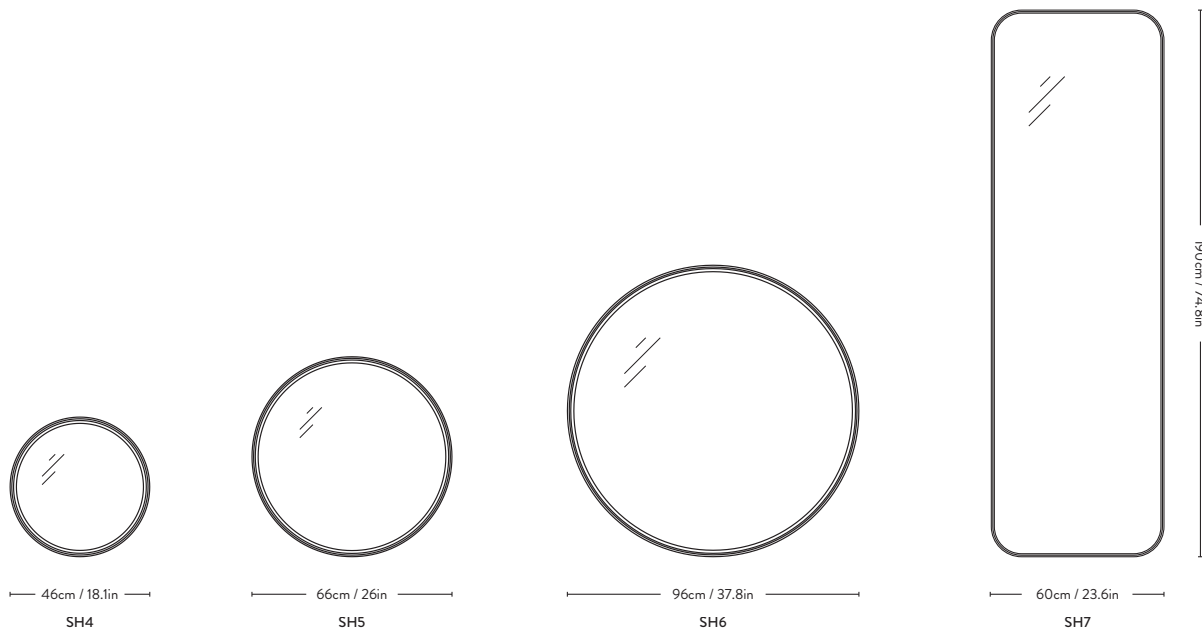
## Sebastian Herkner

### 2019

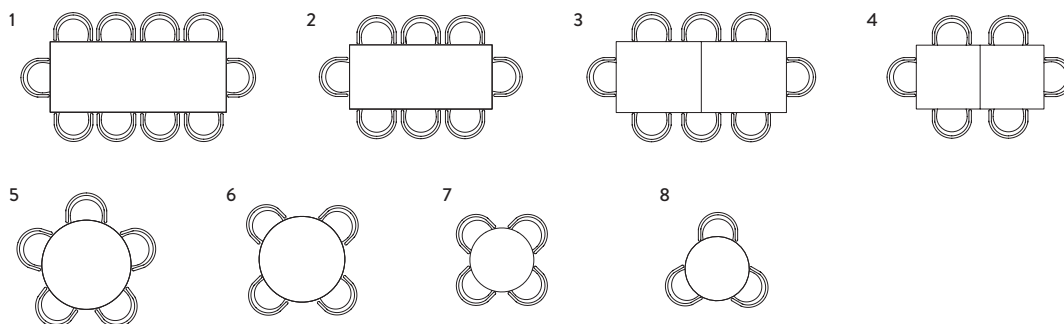


| Item no. | Colour          | Size     | Model | Colli qty. | Lead time  | Weight   | PRICE EX. VAT (SEK) | PRICE INC. VAT (SEK) |
|----------|-----------------|----------|-------|------------|------------|----------|---------------------|----------------------|
| 23101296 | Brass           | Ø46cm    | SH4   | 1 pc       | Stock item | 4.50 kg  | 2.980               | 3.725                |
| 23101201 | Stainless Steel | Ø46cm    | SH4   | 1 pc       | Stock item | 4.50 kg  | 2.620               | 3.275                |
| 23101396 | Brass           | Ø66cm    | SH5   | 1 pc       | Stock item | 8.00 kg  | 5.008               | 6.260                |
| 23101301 | Stainless Steel | Ø66cm    | SH5   | 1 pc       | Stock item | 8.00 kg  | 4.532               | 5.665                |
| 23101496 | Brass           | Ø96cm    | SH6   | 1 pc       | Stock item | 14.50 kg | 7.160               | 8.950                |
| 23101401 | Stainless Steel | Ø96cm    | SH6   | 1 pc       | Stock item | 14.50 kg | 6.560               | 8.200                |
| 23101596 | Brass           | 190x60cm | SH7   | 1 pc       | Stock item | 28.50 kg | 14.324              | 17.905               |
| 23101501 | Stainless Steel | 190x60cm | SH7   | 1 pc       | Stock item | 28.50 kg | 13.368              | 16.710               |

**Material:** Plated steel & silver coloured mirror

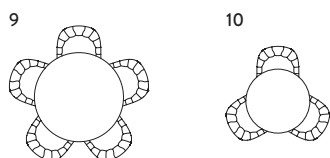


## Table Settings



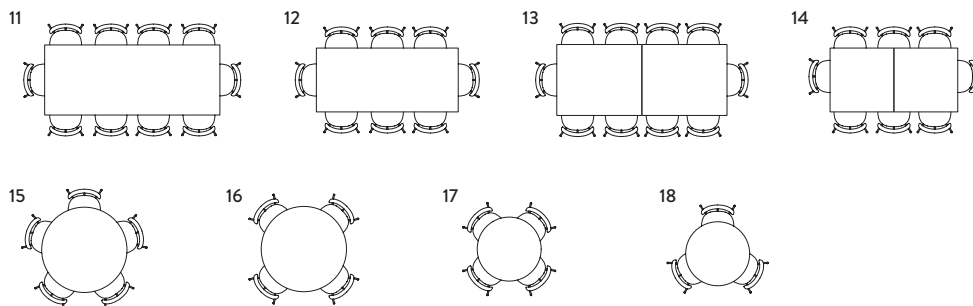
### In Between Chair

| Product                   | Size   | Chairs   |
|---------------------------|--|--|
| (1) In Between Table SK6  | 250 x 100cm / 98.4 x 39.3in                    | 10 x In Between chairs (SK1/SK2)                 |
| (2) In Between Table SK5  | 200 x 90cm / 78.7 x 35.4in                     | 8 x In Between chairs (SK1/SK2)                  |
| (3) Patch Table HW2       | 240 (+100cm) x 100cm / 94.5 (+39.4in) x 39.4in | 8 x In Between chairs (SK1/SK2) - (extendend +2) |
| (4) Patch Table HW1       | 180 (+100cm) x 90cm / 70.9 (+39.4in) x 35.4in  | 6 x In Between chairs (SK1/SK2) - (extendend +2) |
| (5) In Between Table SK12 | Ø: 120cm / 47.2in                              | 5 x In Between chairs (SK1/SK2)                  |
| (6) In Between Table SK4  | Ø: 120cm / 47.2in                              | 4 x In Between chairs (SK1/SK2)                  |
| (7) In Between Table SK11 | Ø: 90cm / 35.4in                               | 4 x In Between chairs (SK1/SK2)                  |
| (8) In Between Table SK3  | Ø: 90cm / 35.4in                               | 3 x In Between chairs (SK1/SK2)                  |



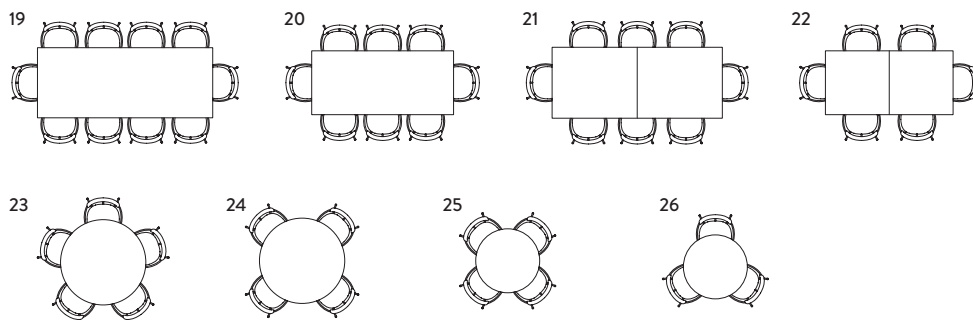
### Loafer Dining Chair

| Product                    | Size              | Chairs                   |
|----------------------------|-------------------|--------------------------|
| (9) In Between Table SK12  | Ø: 120cm / 35.4in | 5 x Loafer dining (SC24) |
| (10) In Between Table SK11 | Ø: 90cm / 35.4in  | 3 x Loafer dining (SC24) |



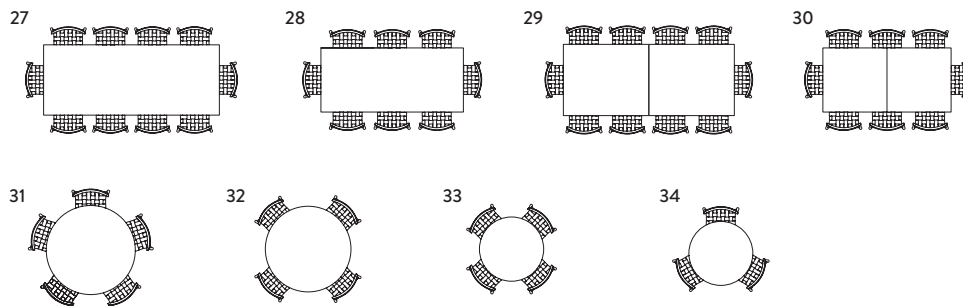
### Pavilion Dining Chair

| Product                    | Size   | Chairs                                   |
|----------------------------|--|--|
| (11) In Between Table SK6  | 250 x 100cm / 98.4 x 39.3in                    | 10 x Pavilion (AV1/AV3)                  |
| (12) In Between Table SK5  | 200 x 90cm / 78.7 x 35.4in                     | 8 x Pavilion (AV1/AV3)                   |
| (13) Patch Table HW2       | 240 (+100cm) x 100cm / 94.5 (+39.4in) x 39.4in | 10 x Pavilion (AV1/AV3) - (extendend +4) |
| (14) Patch Table HW1       | 180 (+100cm) x 90cm / 70.9 (+39.4in) x 35.4in  | 8 x Pavilion (AV1/AV3) - (extendend +4)  |
| (15) In Between Table SK12 | Ø: 120cm / 47.2in                              | 5 x Pavilion (AV1/AV3)                   |
| (16) In Between Table SK4  | Ø: 120cm / 47.2in                              | 4 x Pavilion (AV1/AV3)                   |
| (17) In Between Table SK11 | Ø: 90cm / 35.4in                               | 4 x Pavilion (AV1/AV3)                   |
| (18) In Between Table SK3  | Ø: 90cm / 35.4in                               | 3 x Pavilion (AV1/AV3)                   |



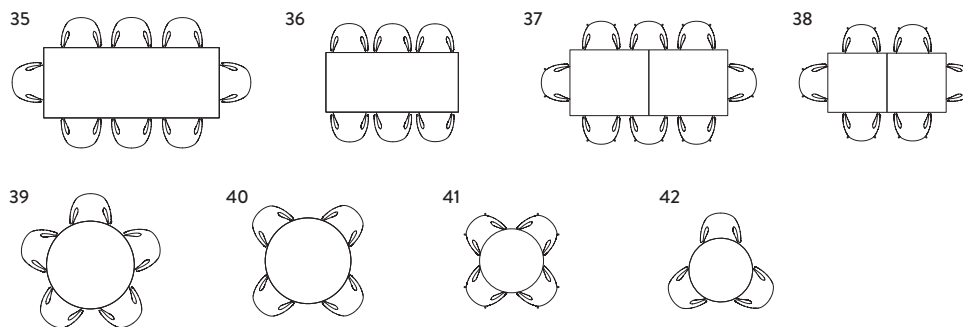
### Pavilion Armrest Chair

| Product                    | Size   | Chairs                                 |
|----------------------------|--|--|
| (19) In Between Table SK6  | 250 x 100cm / 98.4 x 39.3in                    | 10 x Pavilion (AV2/AV4)                |
| (20) In Between Table SK5  | 200 x 90cm / 78.7 x 35.4in                     | 8 x Pavilion (AV2/AV4)                 |
| (21) Patch Table HW2       | 240 (+100cm) x 100cm / 94.5 (+39.4in) x 39.4in | 8 x Pavilion (AV2/AV4) - (extended +2) |
| (22) Patch Table HW1       | 180 (+100cm) x 90cm / 70.9 (+39.4in) x 35.4in  | 6 x Pavilion (AV2/AV4) - (extended +2) |
| (23) In Between Table SK12 | Ø: 120cm / 47.2in                              | 5 x Pavilion (AV2/AV4)                 |
| (24) In Between Table SK4  | Ø: 120cm / 47.2in                              | 4 x Pavilion (AV2/AV4)                 |
| (25) In Between Table SK11 | Ø: 90cm / 35.4in                               | 4 x Pavilion (AV2/AV4)                 |
| (26) In Between Table SK3  | Ø: 90cm / 35.4in                               | 3 x Pavilion (AV2/AV4)                 |



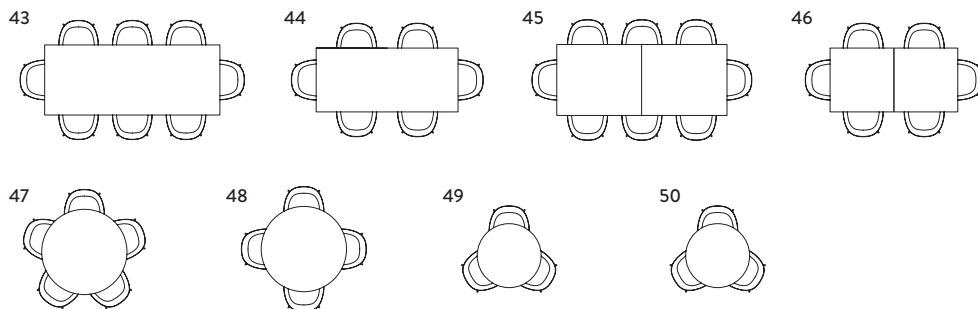
### Betty Dining Chair

| Product                    | Size   | Chairs                               |
|----------------------------|--|--------------------------------------|
| (27) In Between Table SK6  | 250 x 100cm / 98.4 x 39.3in                    | 10 x Betty (TK1/TK2)                 |
| (28) In Between Table SK5  | 200 x 90cm / 78.7 x 35.4in                     | 8 x Betty (TK1/TK2)                  |
| (29) Patch Table HW2       | 240 (+100cm) x 100cm / 94.5 (+39.4in) x 39.4in | 10 x Betty (TK1/TK2) - (extended +4) |
| (30) Patch Table HW1       | 180 (+100cm) x 90cm / 70.9 (+39.4in) x 35.4in  | 8 x Betty (TK1/TK2) - (extended +4)  |
| (31) In Between Table SK12 | Ø: 120cm / 47.2in                              | 5 x Betty (TK1/TK2)                  |
| (32) In Between Table SK4  | Ø: 120cm / 47.2in                              | 4 x Betty (TK1/TK2)                  |
| (33) In Between Table SK11 | Ø: 90cm / 35.4in                               | 4 x Betty (TK1/TK2)                  |
| (34) In Between Table SK3  | Ø: 90cm / 35.4in                               | 3 x Betty (TK1/TK2)                  |



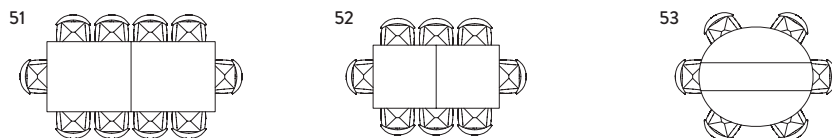
### Catch Dining Chair

| Product                    | Size   | Chairs                                   |
|----------------------------|--|--|
| (35) In Between Table SK6  | 250 x 100cm / 98.4 x 39.3in                    | 8 x Catch (JH1/JH2/JH15)                 |
| (36) In Between Table SK5  | 200 x 90cm / 78.7 x 35.4in                     | 6 x Catch (JH1/JH2/JH15)                 |
| (37) Patch Table HW2       | 240 (+100cm) x 100cm / 94.5 (+39.4in) x 39.4in | 8 x Catch (JH1/JH2/JH15) - (extended +2) |
| (38) Patch Table HW1       | 180 (+100cm) x 90cm / 70.9 (+39.4in) x 35.4in  | 6 x Catch (JH1/JH2/JH15) - (extended +2) |
| (39) In Between Table SK12 | Ø: 120cm / 47.2in                              | 5 x Catch (JH1/JH2/JH15)                 |
| (40) In Between Table SK4  | Ø: 120cm / 47.2in                              | 4 x Catch (JH1/JH2/JH15)                 |
| (41) In Between Table SK11 | Ø: 90cm / 35.4in                               | 4 x Catch (JH1/JH2/JH15)                 |
| (42) In Between Table SK3  | Ø: 90cm / 35.4in                               | 3 x Catch (JH1/JH2/JH15)                 |



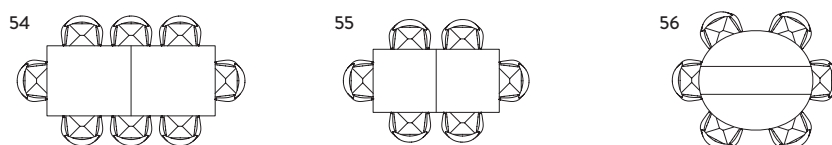
### Elefy Dining Chair

| Product                    | Size   | Chairs                                  |
|----------------------------|--|---|
| (43) In Between Table SK6  | 250 x 100cm / 98.4 x 39.3in                    | 8 x Elefy (JH28 & JH29)                 |
| (44) In Between Table SK5  | 200 x 90cm / 78.7 x 35.4in                     | 6 x Elefy (JH28 & JH29)                 |
| (45) Patch Table HW2       | 240 (+100cm) x 100cm / 94.5 (+39.4in) x 39.4in | 8 x Elefy (JH28 & JH29) - (extended +2) |
| (46) Patch Table HW1       | 180 (+100cm) x 90cm / 70.9 (+39.4in) x 35.4in  | 6 x Elefy (JH28 & JH29) - (extended +2) |
| (47) In Between Table SK12 | Ø: 120cm / 47.2in                              | 5 x Elefy (JH28 & JH29)                 |
| (48) In Between Table SK4  | Ø: 120cm / 47.2in                              | 4 x Elefy (JH28 & JH29)                 |
| (49) In Between Table SK11 | Ø: 90cm / 35.4in                               | 3 x Elefy (JH28 & JH29)                 |
| (50) In Between Table SK3  | Ø: 90cm / 35.4in                               | 3 x Elefy (JH28 & JH29)                 |



### Drawn Dining Chair

| Product            | Size   | Chairs                           |
|--------------------|--|----------------------------------|
| (51) Patch HW2     | 240 (+100cm) x 100cm / 94.5 (+39.4in) x 39.4in | 10 x Drawn (HM3) / (extended +4) |
| (52) Patch HW1     | 180 (+100cm) x 90cm / 70.9 (+39.4in) x 35.4in  | 8 x Drawn (HM3) / (extended +4)  |
| (53) Drop Leaf HM6 | 163 x 142cm / 64.2 x 55.9in                    | 6 x Drawn (HM3)                  |



### Drawn Armrest Chair

| Product            | Size   | Chairs                          |
|--------------------|--|---------------------------------|
| (54) Patch HW2     | 240 (+100cm) x 100cm / 94.5 (+39.4in) x 39.4in | 8 x Drawn (HM4) / (extended +2) |
| (55) Patch HW1     | 180 (+100cm) x 90cm / 70.9 (+39.4in) x 35.4in  | 6 x Drawn (HM4) / (extended +2) |
| (56) Drop Leaf HM6 | 163 x 142cm / 64.2 x 55.9in                    | 6 x Drawn (HM4)                 |

## Spare Parts

| Item no.   | Product                              | Colour   | Colli qty. | PRICE EX.<br>VAT (SEK) | PRICE INC.<br>VAT (SEK) |
|------------|--------------------------------------|--|------------|------------------------|-------------------------|
| 91101004   | Allwood Chair, Plastic Glider 4 pcs. | Black  | 2 pcs      | 112                    | 140                     |
| 91101005   | Allwood Chair, Felt Glider 4 pcs.    |  | 2 pcs      | 112                    | 140                     |
| SP28600010 | Care Kit, Leather                    |  | 1 pc       | 352                    | 440                     |
| SP28600005 | Care kit, Teak                       |  | 1 pc       | 352                    | 440                     |
| 65002000   | Fly seat cushion                     | COM Fabric   | 1 pc       | 4.172                  | 5.215                   |
| 65002005   | Fly seat cushion                     | Hot Madison, Remix, Re-Wool                            | 1 pc       | 4.172                  | 5.215                   |
| 65002006   | Fly seat cushion                     | Canvas, Barnum, Fiord, Hot Madison FR, Ritz            | 1 pc       | 5.008                  | 6.260                   |
| 65002007   | Fly seat cushion                     | Clay, Hallingdal, Steelcut Quartet, Steelcut Trio      | 1 pc       | 5.248                  | 6.560                   |
| 65002008   | Fly seat cushion                     | Acca, Cifrado, Ecriture , Moss, Uniform Melange, Vidar | 1 pc       | 5.844                  | 7.305                   |
| 65002020   | Fly seat cushion                     | Karakorum, Sisu  | 1 pc       | 9.188                  | 11.485                  |
| 65002025   | Fly seat cushion                     | Fuse, Gentle   | 1 pc       | 10.144                 | 12.680                  |
| 65012000   | Fly back cushion                     | COM Fabric   | 1 pc       | 2.500                  | 3.125                   |
| 65012005   | Fly back cushion                     | Hot Madison, Remix, Re-Wool                            | 1 pc       | 2.500                  | 3.125                   |
| 65012006   | Fly back cushion                     | Canvas, Barnum, Fiord, Hot Madison FR, Ritz            | 1 pc       | 2.740                  | 3.425                   |
| 65012007   | Fly back cushion                     | Clay, Hallingdal, Steelcut Quartet, Steelcut Trio      | 1 pc       | 2.980                  | 3.725                   |
| 65012008   | Fly back cushion                     | Acca, Cifrado, Ecriture , Moss, Uniform Melange, Vidar | 1 pc       | 3.100                  | 3.875                   |
| 65012020   | Fly back cushion                     | Karakorum, Sisu  | 1 pc       | 4.772                  | 5.965                   |
| 65012025   | Fly back cushion                     | Fuse, Gentle   | 1 pc       | 5.248                  | 6.560                   |
| 65022000   | Fly small pillow                     | COM Fabric   | 1 pc       | 1.428                  | 1.785                   |
| 65022005   | Fly small pillow                     | Hot Madison, Remix, Re-Wool                            | 1 pc       | 1.428                  | 1.785                   |
| 65022006   | Fly small pillow                     | Canvas, Barnum, Fiord, Hot Madison FR, Ritz            | 1 pc       | 1.548                  | 1.935                   |
| 65022007   | Fly small pillow                     | Clay, Hallingdal, Steelcut Quartet, Steelcut Trio      | 1 pc       | 1.664                  | 2.080                   |
| 65022008   | Fly small pillow                     | Acca, Cifrado, Ecriture , Moss, Uniform Melange, Vidar | 1 pc       | 1.784                  | 2.230                   |
| 65022020   | Fly small pillow                     | Karakorum, Sisu  | 1 pc       | 2.860                  | 3.575                   |
| 65022025   | Fly small pillow                     | Fuse, Gentle   | 1 pc       | 3.216                  | 4.020                   |
| 65032000   | Fly medium pillow                    | COM Fabric   | 1 pc       | 1.904                  | 2.380                   |
| 65032005   | Fly medium pillow                    | Hot Madison, Remix, Re-Wool                            | 1 pc       | 1.904                  | 2.380                   |
| 65032006   | Fly medium pillow                    | Canvas, Barnum, Fiord, Hot Madison FR, Ritz            | 1 pc       | 2.144                  | 2.680                   |
| 65032007   | Fly medium pillow                    | Clay, Hallingdal, Steelcut Quartet, Steelcut Trio      | 1 pc       | 2.264                  | 2.830                   |
| 65032008   | Fly medium pillow                    | Acca, Cifrado, Ecriture , Moss, Uniform Melange, Vidar | 1 pc       | 2.384                  | 2.980                   |
| 65032020   | Fly medium pillow                    | Karakorum, Sisu  | 1 pc       | 3.576                  | 4.470                   |
| 65032025   | Fly medium pillow                    | Fuse, Gentle   | 1 pc       | 3.936                  | 4.920                   |

# Material care & cleaning

**We challenge convention to create objects that rethink how we use materials and manufacturing techniques. We find beauty in objects that can be created by the latest industrial processes as well as those that maintain techniques that have evolved over a long period of time. We strive for timeless beauty and quality that is made to last.**

**Find below information about the materials and finishes used in the collection as well as guidelines for daily care, cleaning and maintenance.**

---

## Oiled oak & walnut

Oiled oak & walnut, whether solid or veneered, is a fundamental material in the &Tradition collection.

To a greater extent than lacquering and staining, oiling leaves the wood feeling and looking natural and still offers a good surface protection. Oiled wood will develop a natural patina and character over time which will only enhance the beauty of the material.

Solid oak and oak veneer is oiled using either white pigmented oil or a dark smoked oil. The white pigmented oil allows the oak to maintain its original and natural light colour for longer and thereby protects the wood from premature darkening and turning yellow. The smoked oil offers a unique dark finish and character. Variations in wood structure and colour are natural characteristics of solid oak. This feature is further enhanced when applying the smoked oil and should be seen as part of the overall product.

For daily care, dust oiled furniture with a soft dry cloth. Cleaning can be done using a soft cloth wrung in lukewarm water following the wood grain and dried immediately with a soft cloth following the wood grains. For more severe cleaning, a soap specifically developed for oiled wood can be used. Follow the instructions on the packaging of the cleaning product.

Solid walnut or walnut veneer is oiled using a natural coloured oil to maintain its original colour for longer and thereby protect the wood. To maintain the look and silky feeling of oiled wood, regular re-oiling is recommended. Re-oiling should be done when the wood starts to appear dry or faded. Usually, re-oiling once a year is sufficient. Re-oiling walnut can be done by applying standard natural oil for indoorwood products.

Avoid use of cleaning detergents and abrasive cleaning agents as they may damage the surface of the oiled wood. Avoid placing wooden furniture in direct sunlight, excessive heat or humidity.

---

## Lacquered or stained wood

Lacquered or stained wood offers a stronger surface than oiling and is also effective when coloured surfaces are desired. Compared to oiled wood, lacquered and stained wood is easier to clean and requires minimal maintenance.

For daily care it is recommended to dust the furniture with a soft cloth. Lacquered and stained wood can be cleaned with a soft cloth wrung in a mild solution of lukewarm water and a universal cleaning detergent. Always follow the wood grains and always dry with a soft dry cloth immediately after cleaning.

Avoid use of abrasive cleaning agents and aggressive cleaning detergents as this will damage the surface of the lacquered or stained wood. Avoid placing wooden furniture in direct sunlight, excessive heat or humidity.

---

## Linoleum

Tabletops with linoleum offers a soft touch surface that does not feel as cold and hard as laminate. Regular cleaning is done with a soft cloth wrung in a mild solution of lukewarm water and a universal cleaning detergent.

Avoid placing sharp objects on the surface as this may scratch the tabletop. It is recommended to use trivets or coasters under flowerpots, vases, cups etc.

---

## Fenix NTM Nano laminate

Fenix NTM Nano laminate is a soft touch laminate based on nano technology and is used for tabletops as an alternative to linoleum and standard laminate. The nano laminate offers unique features such as scratch resistance, soft touch, low light reflectivity, antifingerprint and much more.

For more details about the unique properties of nano laminate, as well as cleaning and maintenance refer to: [www.fenixntm.com/en](http://www.fenixntm.com/en)

---

## Lacquered & Powder coated metal

The majority of the lighting products in the &Tradition collection have a lacquered or powder coated surface.

The True Colour vases have a protective lacquered finish and some furniture has powder coated parts. These surfaces are durable, require no maintenance and offer an endless palette of colours, textures and gloss.

It is recommended only to use a soft, dry cloth to clean lacquered and powder coated surfaces but in case more severe cleaning is necessary, a soft cloth wrung in lukewarm water can be carefully applied. Always dry immediately after cleaning with a soft, dry cloth. Avoid using abrasive cleaning agents or aggressive cleaning detergents on lacquered or powder coated surfaces as this may permanently damage the surface.

---

## Stainless steel

Stainless steel is used on both lighting products and furniture in either a mirror-polished or satin-polished finish. Stainless steel is a classic strong corrosion resistant material that requires no surface protection and will not change appearance over time.

Dust stainless steel products for daily care using only a soft, dry cloth. Cleaning of stainless steel should be done only by using a cleaning detergent specifically for stainless steel. Follow the instructions on the packaging. Cleaning agents not developed specifically for stainless steel may permanently damage the surface of the stainless steel and should never be used.

---

## Brass & Copper

Brass and copper is used for both lighting products and furniture in either a mirror-polished or satin-polished finish. Depending on the product, the brass and copper may be coated using a transparent lacquer or left untreated. Coated brass and copper will not change appearance over time whereas uncoated brass and copper will develop a unique and beautiful patina, over time adding character to the product.

For daily cleaning of coated brass and copper it is recommended only to use a soft dry, cloth. For removal of stains, a soft cloth wrung in lukewarm water can be carefully applied. Always dry immediately after with a soft dry cloth. For daily cleaning of uncoated brass and copper it is recommended only to use a soft, dry cloth. In case a patina of the material is not desired, the material can be regularly cleaned and polished using a detergent specifically for brass and copper.

Avoid using abrasive cleaning agents or aggressive cleaning detergents on coated and uncoated brass and copper as this will permanently damage the surface.

---

## Anodised aluminium

The aluminium used on the column shelves is either anodized black or in a natural



## Material care & cleaning

---

hand polished finish which is treated with a protective wax. Both versions can be cleaned using a soft cloth wrung in lukewarm water. Always dry immediately afterwards with a soft cloth. Avoid use of abrasive cleaning products such as steel wool or polish. Never use aggressive or abrasive cleaning detergents for any parts of the shelf, as this will cause irreparable damage.

### Marble & Travertine

---

Marble and travertine are used in the &Tradition collection on both lighting products and furniture.

The natural material offers a distinctive and exclusive look and two items will never look the same.

The marble and travertine used on &Tradition tabletops are treated with a sealer which makes the tabletop more stain resistant than when left untreated. However, it is strongly recommended to always use a trivet and not to place glasses or cups with liquids directly onto the tabletop. As natural materials, marble & travertine are sensitive to liquids and if not removed immediately, spilled liquids will leave a permanent stain on the tabletop.

For daily care and cleaning it is recommended to use a cleaning agent specifically developed for stone or marble. It is also highly recommended to do a re-sealing of the tabletop approximately every second month using an appropriate sealer developed specifically for stone or marble. The marble used on lighting products has no surface protection and is therefore more exposed to stains and marks. If possible, it is recommended only to clean marble on lighting products with a soft, dry cloth. In case more severe cleaning is necessary, use a cleaning agent specifically developed for stone or marble. Avoid using abrasive cleaning agents or aggressive cleaning detergents on marble as this will permanently damage the surface.

### Glass

---

Glass, in various colours and shapes, is an important material in the &Tradition lighting collection. All glass is mouth-blown and hand crafted which ensures that each item is unique and displays individual characteristics. Examples of characteristics of mouthblown glass are minor air bubbles and variations in form and thickness.

A number of the glass products in the lighting collection are coloured in silver and gold tones using a traditional luster painting technique. Luster is applied with a brush to the clear glass by skilled craftsmen and the glass is subsequently burned at +450°C to melt the luster colour into the glass mass. The process ensures a very smooth and highly scratch resistant surface. Since the entire process of applying the luster is performed by hand, slight deviations in colour may occur from item to item. Daily cleaning of glass is best done using a soft, dry cloth. If more severe cleaning is necessary, it is recommended to use a soft cloth with a standard glass cleaning detergent and then to follow by drying with a soft, dry cloth. Avoid using abrasive cleaning agents on the glass as this will damage the surface.

### Collect glassware

Normal dishwasher liquid can be used and all items are dishwasher safe (max. 50°). Do not use any cleaning detergents with harsh chemicals or abrasives.

For more severe cleaning, soaking the product overnight in water and vinegar is recommended.

### Mirror

---

Use household glass cleaner for the mirror. To avoid damaging the surface of the mirror frame, always spray the glass cleaner onto a soft cloth and clean the mirror.

### Plastic

---

For daily cleaning it is recommended to use a soft cloth wrung in lukewarm water. For more severe cleaning a mild detergent can be used. Always dry immediately after.

## Upholstery webbing

---

We recommend maintaining braided upholstery webbing regularly, as dirt and dust etc. will cause wear and tear on the material through use.

### General Maintenance

We recommend that you vacuum upholstery webbing once a week using the soft nozzle attachment of your vacuum cleaner (used for textiles and softer furnishings) in order to ensure the longest possible life of the product.

It should not be necessary to clean upholstery webbing often as the material has a slightly dirt-repellent surface.

### Stain removal

If an accident occurs and cleaning or stain removal is necessary, the following applies:

- The faster a stain is treated, the greater the possibility that the stain can be removed.
- Spilled liquids should be dabbed – not scrubbed – with a clean, lint-free cloth wrung in clean and lukewarm water, as soon as possible.
- Regardless of the size of the stain, it is important that you clean it working from the outer edge of the stain and move in towards the centre of the stain, so that the damaged area is reduced as much as possible.
- You should not rub or scrub the material as this can damage the material's colour, structure and strength which can worsen the state of the stain.
- If a stain has dried, is from a firmer substance, or has greasy contents, it may be possible to scrape off the stain residue with a blunt knife or a spatula, before continuing any necessary treatment with a suitable stain remover.
- When using a suitable stain remover on a small area, you should carefully follow the manufacturer's instructions for use. It is recommended to test the stain remover on a less visible area of the material first – before cleaning the affected area – to see if the product works as intended, or to see if the product damages the webbing.
- If a stain is very big or has soaked into and through the material, it is recommended to contact a professional furniture cleaner before trying to remove the stain yourself, as it may require a special treatment depending on the nature and location of the stain.

### Disclaimer

- Do not use solvents, undiluted detergents, soaps, bleaches or ammonia on the material.
- Please be aware that especially new non-colourfast clothing and dark jeans can potentially leak colour onto the webbing. Any such leakage may not be possible to remove, as the excess colour can soak deep into the material.

## Handloomed-woven rugs

---

The rugs in the &Tradition collection are handmade in India by skilled craftsmen using carefully selected natural materials. Being handmade, each rug will have its own unique character and therefore the patterns and colours of two rugs will never be identical.

A new rug will shed excess fibers that were not fully spun into the yarn during spinning. This is normal and over time, the shedding will lessen and eventually stop.

To prolong the lifetime of a rug, it is highly recommended to use a rug underlay. An underlay ensures that the rug remains in a fixed position and will also reduce the risk of staining.

For daily care, vacuum the rug regularly to keep it free from fluff and dust or sand particles which will wear and tear the rug over time if not removed. Spots can be attempted to be removed by dabbing very gently with a damp cloth soaked in carbonated water. In case more thorough cleaning is necessary, professional cleaning is recommended.

Placing a rug in direct sunlight is not recommended as it will fade the colours of the rug over time.

### Sheepskin

---

Easy on the eye and soft to the touch, sheepskin makes for exceptional and hard-wearing upholstery. It is defined by a dense and curly fleece that comes intact in its most natural form, where pieces are distinctly unique, and their look varies from product to product.

As with most natural materials, differences in structure, density and thickness are expected, as two pieces of sheepskin never look identical and tend to show natural variations in both curls and tones.

Please note that the wool's fibres might naturally become entangled in time. And in regards to colour, each skin's ability to maintain its original tone or absorb applied dye might vary, especially if exposure to sunlight is high. We recommend to keep sheepskin-upholstered products away from direct sunlight to avoid discolouring.

In order to preserve the skin's highly tactile, soft nature, we suggest vacuum cleaning on a weekly basis, and when stained, spots should be soaked with water as promptly as possible. For bigger stains, place a clean towel on the spill and let it absorb as much liquid as possible. For cleaning, we recommend the use of a sponge, lukewarm water and mild wool detergent.

### Leather

---

#### Imperfect Beauty

High quality, natural leather is not flawless. &Tradition leather, like all other top-quality leather, may have some minor visible marks from the natural life of the animal. These characteristics give each &Tradition leather product a unique beauty and charm but do not affect the overall strength or durability of the product.

&Tradition has distinct quality standards for which these markings are acceptable. Varying degrees of markings are permitted according to how visibly they appear on the product as a whole.

The aniline leather NOBLE is surface treated with a very thin layer of wax which makes it possible for the material to 'breathe'. The semi-aniline leather TAILOR is slightly buffed and lightly surface treated which makes the leather more durable and ensures a higher lightfastness.

#### Natural Characteristics

Typical natural characteristics which may be visible on the leather are:

- Fat creases
- Neck wrinkles/spine marks
- Healed scars
- Vein marks
- Insect bites
- Slight colour differences from one leather hide to another
- Variation in the natural grain from one hide to another, and sometimes even within a singular hide

#### Patina

Aniline leather will age beautifully, with each piece gaining its own patina. Over time, the natural leather will continue to develop a slightly different tone and as part of its unique appeal, it will not look exactly the same as on the day it was originally bought.

#### Before Use

Leather furniture should not be exposed to direct sunlight, positioned close to heat sources or kept in very dry or highly airconditioned environments. This is a natural material which does not perform well when put under these conditions and doing such may result in the leather drying out and becoming stiff and inflexible.

#### Maintenance

To prolong the life of the leather it is important to frequently vacuum with a soft brush or gently wipe with a soft, dry cloth.

Never use cleaning detergents or sharp objects on the leather as this may damage the surface.

Instead of trying to remove minor spots or stains, they should be left untreated as

over time they should fade and disappear.

#### Care

The natural material should be treated with a special aniline leather care cream at least four times a year.

Aniline leather gets dry over time, so it is important to keep the leather conditioned and moisturised to retain optimal softness, flexibility and seating comfort.

Follow the instructions of the special care product; apply cream on a soft, lint-free cloth, massage in light circular motions from seam to seam on the furniture component. Let dry before taking in to use.

#### Cleaning

Cleaning is done under customer's own responsibility

If leather is soiled, it should be wiped with a soft, clean, damp, lint-free cloth wrung in lukewarm, demineralised water. Alternatively, you can attempt to absorb as much liquid as possible from the soaked leather with a clean kitchen towel.

Do not spot clean leather - clean the entire surface from seam to seam.

Never scrub the leather in an isolated area as this will discolour and tear the material.

If extensive cleaning is needed, it is recommended to use a solution of clean boiled water or demineralised water with a dilution of mild, natural, high-quality soap flakes:

1. Use 0,5DL soap flakes for 1L water. Whip soap flakes in the water until fully dissolved.
2. When the solution is lukewarm, the foam must be gently rubbed onto the leather surface with a soft, clean, cotton cloth using circular motions. It is essential that only the foam from the solution is used. Make sure the foam is equally distributed on the whole surface from seam to seam. Be sure to never soak the surface.
3. When the furniture is dry, the leather should be polished with a very soft, lint-free cloth.
4. After cleaning, it is necessary to apply a special leather care cream.

#### Large Spills or Damages

If large areas are soiled or the surface is very damaged, contact a professional cleaning firm.

### Rattan

---

In order to retain the strength and flexibility of rattan wicker the material needs to be maintained with a soap treatment 10-12 times a year using the following solution:

- Prepare 1 teaspoon of soap flakes dissolved in 1 litre of lukewarm water.
- Spray the solution on both the front and the back of the rattan and allow it to penetrate.
- If needed, wipe away any leftover liquid with a damp cloth.

Rattan has a delicate white expression when new. This will develop over time, darkening and forming a beautiful patina.

### Velvet

---

#### Dry stain and soil

On all the articles in our living environment dust and dirt will settle. So it happens also on our upholstered furniture. Do not allow the dust and dirt become to excessive, otherwise it will be more difficult to remove. The upholstered furniture should be cleaned regularly to ensure prolonged life and appearance.

The best way for regular maintenance is: Vacuum cleaning and brushing. Vacuum cleaning and brushing, with a hard cloth brush, always in the direction of the pile naps.

To remove stain or in case of fundamental cleaning from your upholstery you better can contact your local upholstery cleaning specialist. You can obtain addresses from your local Consumer Enquiry Office.

They have the experience in dry shampooing and that kind of cleaning processes.

### **Wet staining**

Liquids can be removed by dabbing with paper towel, a clean tea cloth or kitchen towel. Don't rub, only dabbing! For hot liquids you do the same, but there is less rescue time between messing and dabbing. The hot fluid penetrate much quicker in the fabric than cold liquids.

To remove food you scrape the dirt with a spoon or a knife from the fabric and dab the stain with a cold solution of water and detergent. Don't use hot cleaning liquid, because coloured components of the stain will more penetrate the fabric at higher temperature and stay there.

We can't give a general advise about removing Ink, paints, etc. This kind of staining, mostly you can use a solvent as alcohol, dry cleaning solvents ore something like that. Look in a local stain removal advisory table for the best solution.

Note: The S-finish (Teflon) is a release finish with additional a temporary repellent effect, that brings you rescue time between making the mess and removing it. It gives you a delay time, but it don't prevent staining or fouling.

Note: We don't have enough 'local knowledge' about the composition of food, drinks and other frequent used products which may cause staining of your upholstery fabric. Please contact your local cleaning specialist or look at a local website for stain remove advisory tables.

### **Flatting out pile naps**

On velvets, which are not regularly maintained, certain wellworn areas will be formed and will show pile tangling over a period of time. Depending on the colour, you will see it as a change of shade.

By sitting you exert a pressure on the velvet fabric forcing the pile naps in any direction. In combination with heat, the rising air humidity, the body moisture and the kind of filling material under the velvet the changes direction of the pile naps is 'partly fixed'. You can notice this as a change of shade. This is a typical property of velvet fabric and it is neither a defect or a sign of low quality.

You can treat this marks of wear and tear as follows: Take a clean, white/not coloured, warm, damp piece of cloth and lay it several hours or a night over the velvet. The moisture will restore the cotton velvet. The upholstery velvet should not be used before it is complete dry!

## Fabric Overview

| Manufacturer          | Fabric                      | Martindale | BS 5852 (Part 1) | EN 1021 (Part 1/2) | US. Cal. Bull 117-2013 | BS5852 Crib 5. | CRIB 5 Treatable |
|-----------------------|-----------------------------|------------|------------------|--------------------|------------------------|----------------|------------------|
| <b>&amp;Tradition</b> | Noble Aniline leather       |            | •                | •                  | •                      |                |                  |
|                       | Tailor Semi-aniline leather |            | •                | •                  | •                      |                |                  |
| <b>Dedar</b>          | Karakorum                   | 40.000     | •                | •                  | •                      | •              |                  |
| <b>Elmo Leathers</b>  | Elmosoft Semi-aniline       |            | •                | •                  | •                      | •              |                  |
| <b>JAB</b>            | Hot Madison                 | 55.000     | •                |                    | •                      |                | •                |
| <b>Kvadrat</b>        | Acca                        | 50.000     | ◦                | •                  | •                      |                | •                |
|                       | Canvas                      | 100.000    | •                | •                  | •                      |                | •                |
|                       | Cifrado                     | 30.000     | ◦                | •                  | •                      |                | •                |
|                       | Clay                        | 45.000     | •                | •                  |                        |                | •                |
|                       | Ecriture                    | 70.000     | •                | •                  | •                      |                | •                |
|                       | Fiord                       | 60.000     | •                | •                  | •                      |                | •                |
|                       | Fuse                        | 100.000    | •                | •                  | •                      | •              |                  |
|                       | Gentle                      | 80.000     | •                | •                  | •                      |                | •                |
|                       | Hallingdal                  | 100.000    | •                | •                  | •                      | •              |                  |
|                       | Moss                        | 50.000     | •                | •                  |                        |                | •                |
|                       | Remix                       | 100.000    | •                | •                  | •                      |                | •                |
|                       | Re-Wool                     | 100.000    | •                | •                  | •                      |                | •                |
|                       | Sisu                        | 70.000     | •                | •                  | •                      |                | •                |
|                       | Steelcut Quartet            | 100.000    | •                | •                  | •                      |                | •                |
|                       | Steelcut Trio 3             | 120.000    | •                | •                  | •                      |                | •                |
|                       | Uniform Melange             | 80.000     | •                | •                  | •                      |                | •                |
|                       | Vidar                       | 100.000    | •                | •                  | •                      |                | •                |
| <b>Nevotex</b>        | Ritz                        | 100.000    |                  | •                  |                        |                |                  |
|                       | Barnum                      | 60.000     | •                |                    | •                      |                | •                |
| <b>Scandilock</b>     | Sheepskin                   |            | •                |                    | •                      | •              |                  |
| <b>Sunbrella</b>      | Heritage                    | 22.000     | ◦                | ◦                  | •                      |                |                  |
|                       | Marquetry                   | 22.000     | ◦                | ◦                  | •                      |                |                  |

◦ Pass with treatment.

\* Can be tested upon request.

## Packaging Information

| Product    | Model | Category           | Height cm | Width cm | Depth cm | Weight   | Colli qty. |
|------------|-------|--------------------|-----------|----------|----------|----------|------------|
| Catch      | JH1   | Chair              | 90        | 61       | 61       | 15.50 kg | 1 pc       |
| Catch      | JH2   | Chair              | 90        | 61       | 61       | 16.50 kg | 1 pc       |
| Catch      | JH15  | Chair              | 90        | 61       | 61       | 15.50 kg | 1 pc       |
| Catch      | JH13  | Lounge Chair       | 90        | 84       | 94       | 19.00 kg | 1 pc       |
| Catch      | JH14  | Lounge Chair       | 90        | 84       | 94       | 19.00 kg | 1 pc       |
| Catch      | JH16  | Counter Chair      | 125       | 61       | 61       | 21.20 kg | 1 pc       |
| Catch      | JH17  | Bar Chair          | 125       | 61       | 61       | 19.50 kg | 1 pc       |
| Elefy      | JH28  | Chair              | 83        | 59       | 59       | 9.40 kg  | 1 pc       |
| Elefy      | JH29  | Chair              | 83        | 59       | 59       | 11.20 kg | 1 pc       |
| Elefy      | JH30  | Chair              | 83        | 59       | 59       | 10.00 kg | 1 pc       |
| Elefy      | JH31  | Chair              | 83        | 59       | 59       | 11.80 kg | 1 pc       |
| Elefy      | JH32  | Chair              | 83        | 59       | 59       | 12.20 kg | 1 pc       |
| Elefy      | JH33  | Chair              | 83        | 59       | 59       | 14.00 kg | 1 pc       |
| Elefy      | JH34  | Chair              | 83        | 59       | 59       | 12.20 kg | 1 pc       |
| Elefy      | JH35  | Chair              | 83        | 59       | 59       | 14.00 kg | 1 pc       |
| Elefy      | JH36  | Chair              | 83        | 59       | 59       | 12.70 kg | 1 pc       |
| Elefy      | JH37  | Chair              | 83        | 59       | 59       | 14.50 kg | 1 pc       |
| In Between | SK1   | Chair              | 95        | 72       | 60       | 13.30 kg | 2 pcs      |
| In Between | SK2   | Chair              | 95        | 72       | 60       | 13.80 kg | 2 pcs      |
| In Between | SK7   | Counter Chair      | 104       | 54       | 60       | 8.50 kg  | 1 pc       |
| In Between | SK8   | Counter Chair      | 104       | 54       | 60       | 8.70 kg  | 1 pc       |
| In Between | SK9   | Bar Chair          | 104       | 54       | 60       | 8.90 kg  | 1 pc       |
| In Between | SK10  | Bar Chair          | 104       | 54       | 60       | 9.10 kg  | 1 pc       |
| Pavilion   | AV1   | Chair              | 89        | 55       | 55       | 17.40 kg | 2 pcs      |
| Pavilion   | AV2   | Chair with Armrest | 87        | 58       | 59       | 19.45 kg | 2 pcs      |
| Pavilion   | AV3   | Chair              | 89        | 55       | 55       | 18.40 kg | 2 pcs      |
| Pavilion   | AV4   | Chair with Armrest | 87        | 58       | 59       | 20.45 kg | 2 pcs      |
| Pavilion   | AV5   | Lounge Chair       | 70        | 69       | 65       | 8.95 kg  | 1 pc       |
| Pavilion   | AV6   | Lounge Chair       | 70        | 69       | 65       | 8.95 kg  | 1 pc       |
| Pavilion   | AV7   | Counter Chair      | 97        | 51       | 53       | 7.25 kg  | 1 pc       |
| Pavilion   | AV8   | Counter Chair      | 97        | 51       | 53       | 7.35 kg  | 1 pc       |
| Pavilion   | AV9   | Bar Chair          | 95        | 52       | 50       | 7.25 kg  | 1 pc       |
| Pavilion   | AV10  | Bar Chair          | 95        | 52       | 50       | 7.25 kg  | 1 pc       |
| Pavilion   | AV11  | Lounge Chair       | 70        | 69       | 65       | 8.95 kg  | 1 pc       |
| Pavilion   | AV12  | Chair              | 89        | 55       | 55       | 18.40 kg | 2 pcs      |
| Pavilion   | AV13  | Chair with Armrest | 87        | 58       | 59       | 20.45 kg | 2 pcs      |
| Pavilion   | AV14  | Counter Chair      | 97        | 51       | 53       | 7.35 kg  | 1 pc       |
| Pavilion   | AV15  | Bar Chair          | 95        | 52       | 50       | 7.25 kg  | 1 pc       |
| Rely       | HW6   | Chair              | 84        | 51       | 60       | 9.05 kg  | 1 pc       |
| Rely       | HW7   | Chair              | 84        | 51       | 60       | 10.35 kg | 1 pc       |

## Packaging Information

| Product | Model | Category | Height cm | Width cm | Depth cm | Weight   | Colli qty. |
|---------|-------|----------|-----------|----------|----------|----------|------------|
| Rely    | HW8   | Chair    | 84        | 51       | 60       | 9.55 kg  | 1 pc       |
| Rely    | HW9   | Chair    | 84        | 51       | 60       | 10.65 kg | 1 pc       |
| Rely    | HW10  | Chair    | 84        | 51       | 60       | 10.65 kg | 1 pc       |
| Rely    | HW11  | Chair    | 84        | 51       | 60       | 11.65 kg | 1 pc       |
| Rely    | HW12  | Chair    | 84        | 51       | 60       | 12.95 kg | 1 pc       |
| Rely    | HW13  | Chair    | 84        | 51       | 60       | 12.15 kg | 1 pc       |
| Rely    | HW14  | Chair    | 84        | 51       | 60       | 13.25 kg | 1 pc       |
| Rely    | HW15  | Chair    | 84        | 51       | 60       | 13.25 kg | 1 pc       |
| Rely    | HW16  | Chair    | 84        | 51       | 60       | 11.65 kg | 1 pc       |
| Rely    | HW17  | Chair    | 84        | 51       | 60       | 12.95 kg | 1 pc       |
| Rely    | HW18  | Chair    | 84        | 51       | 60       | 12.15 kg | 1 pc       |
| Rely    | HW19  | Chair    | 84        | 51       | 60       | 13.25 kg | 1 pc       |
| Rely    | HW20  | Chair    | 84        | 51       | 60       | 13.25 kg | 1 pc       |
| Rely    | HW21  | Chair    | 84        | 51       | 60       | 11.65 kg | 1 pc       |
| Rely    | HW22  | Chair    | 84        | 51       | 60       | 12.95 kg | 1 pc       |
| Rely    | HW23  | Chair    | 84        | 51       | 60       | 12.15 kg | 1 pc       |
| Rely    | HW24  | Chair    | 84        | 51       | 60       | 13.25 kg | 1 pc       |
| Rely    | HW25  | Chair    | 84        | 51       | 60       | 13.25 kg | 1 pc       |
| Rely    | HW26  | Chair    | 84        | 56       | 60       | 8.80 kg  | 1 pc       |
| Rely    | HW27  | Chair    | 84        | 56       | 60       | 8.80 kg  | 1 pc       |
| Rely    | HW28  | Chair    | 82        | 68       | 68       | 12.50 kg | 1 pc       |
| Rely    | HW29  | Chair    | 82        | 68       | 68       | 13.80 kg | 1 pc       |
| Rely    | HW30  | Chair    | 82        | 68       | 68       | 13.00 kg | 1 pc       |
| Rely    | HW31  | Chair    | 82        | 68       | 68       | 14.10 kg | 1 pc       |
| Rely    | HW32  | Chair    | 82        | 68       | 68       | 14.10 kg | 1 pc       |
| Rely    | HW33  | Chair    | 85        | 62       | 62       | 10.90 kg | 1 pc       |
| Rely    | HW34  | Chair    | 85        | 62       | 62       | 12.10 kg | 1 pc       |
| Rely    | HW35  | Chair    | 85        | 62       | 62       | 5.70 kg  | 1 pc       |
| Rely    | HW36  | Chair    | 85        | 62       | 62       | 6.80 kg  | 1 pc       |
| Rely    | HW37  | Chair    | 85        | 62       | 62       | 6.80 kg  | 1 pc       |
| Rely    | HW38  | Chair    | 85        | 62       | 62       | 13.40 kg | 1 pc       |
| Rely    | HW39  | Chair    | 85        | 62       | 62       | 14.70 kg | 1 pc       |
| Rely    | HW40  | Chair    | 85        | 62       | 62       | 9.40 kg  | 1 pc       |
| Rely    | HW41  | Chair    | 85        | 62       | 62       | 9.40 kg  | 1 pc       |
| Rely    | HW42  | Chair    | 85        | 62       | 62       | 9.40 kg  | 1 pc       |
| Rely    | HW43  | Chair    | 85        | 62       | 62       | 13.40 kg | 1 pc       |
| Rely    | HW44  | Chair    | 85        | 62       | 62       | 14.70 kg | 1 pc       |
| Rely    | HW45  | Chair    | 85        | 62       | 62       | 8.30 kg  | 1 pc       |
| Rely    | HW46  | Chair    | 85        | 62       | 62       | 9.40 kg  | 1 pc       |
| Rely    | HW47  | Chair    | 85        | 62       | 62       | 9.40 kg  | 1 pc       |

## Packaging Information

| Product | Model | Category      | Height cm | Width cm | Depth cm | Weight   | Colli qty. |
|---------|-------|---------------|-----------|----------|----------|----------|------------|
| Rely    | HW48  | Chair         | 85        | 62       | 62       | 13.40 kg | 1 pc       |
| Rely    | HW49  | Chair         | 85        | 62       | 62       | 14.70 kg | 1 pc       |
| Rely    | HW50  | Chair         | 85        | 62       | 62       | 8.30 kg  | 1 pc       |
| Rely    | HW51  | Chair         | 85        | 62       | 62       | 9.40 kg  | 1 pc       |
| Rely    | HW52  | Chair         | 85        | 62       | 62       | 9.40 kg  | 1 pc       |
| Rely    | HW53  | Chair         | 85        | 62       | 62       | 14.50 kg | 1 pc       |
| Rely    | HW54  | Chair         | 85        | 62       | 62       | 15.80 kg | 1 pc       |
| Rely    | HW55  | Chair         | 85        | 68       | 68       | 9.40 kg  | 1 pc       |
| Rely    | HW56  | Chair         | 85        | 68       | 68       | 10.50 kg | 1 pc       |
| Rely    | HW57  | Chair         | 85        | 68       | 68       | 10.50 kg | 1 pc       |
| Rely    | HW65  | Chair         | 84        | 56       | 60       | 14.20 kg | 2 pcs      |
| Rely    | HW66  | Chair         | 84        | 56       | 60       | 16.20 kg | 2 pcs      |
| Rely    | HW67  | Chair         | 84        | 56       | 60       | 15.60 kg | 2 pcs      |
| Rely    | HW68  | Chair         | 84        | 56       | 60       | 17.80 kg | 2 pcs      |
| Rely    | HW69  | Chair         | 84        | 56       | 60       | 17.80 kg | 2 pcs      |
| Rely    | HW70  | Outdoor Chair | 84        | 51       | 60       | 8.80 kg  | 1 pc       |
| Rely    | HW71  | Chair         | 84        | 51       | 60       | 5.68 kg  | 1 pc       |
| Rely    | HW72  | Chair         | 84        | 51       | 60       | 6.48 kg  | 1 pc       |
| Rely    | HW73  | Chair         | 84        | 51       | 60       | 6.18 kg  | 1 pc       |
| Rely    | HW74  | Chair         | 84        | 51       | 60       | 7.28 kg  | 1 pc       |
| Rely    | HW75  | Chair         | 84        | 51       | 60       | 7.28 kg  | 1 pc       |
| Rely    | HW76  | Chair         | 85        | 62       | 62       | 7.04 kg  | 1 pc       |
| Rely    | HW77  | Chair         | 85        | 62       | 62       | 8.24 kg  | 1 pc       |
| Rely    | HW78  | Chair         | 85        | 62       | 62       | 7.74 kg  | 1 pc       |
| Rely    | HW79  | Chair         | 85        | 62       | 62       | 7.98 kg  | 1 pc       |
| Rely    | HW80  | Chair         | 85        | 62       | 62       | 7.98 kg  | 1 pc       |
| Rely    | HW81  | Counter stool | 81        | 46       | 47       | 6.98 kg  | 1 pc       |
| Rely    | HW82  | Counter stool | 81        | 46       | 47       | 7.73 kg  | 1 pc       |
| Rely    | HW83  | Counter stool | 81        | 46       | 47       | 7.28 kg  | 1 pc       |
| Rely    | HW84  | Counter stool | 81        | 46       | 47       | 7.93 kg  | 1 pc       |
| Rely    | HW85  | Counter stool | 81        | 46       | 47       | 7.93 kg  | 1 pc       |
| Rely    | HW86  | Bar stool     | 91        | 46       | 47       | 7.22 kg  | 1 pc       |
| Rely    | HW87  | Bar stool     | 91        | 46       | 47       | 7.97 kg  | 1 pc       |
| Rely    | HW88  | Bar stool     | 91        | 46       | 47       | 7.52 kg  | 1 pc       |
| Rely    | HW89  | Bar stool     | 91        | 46       | 47       | 8.17 kg  | 1 pc       |
| Rely    | HW90  | Bar stool     | 91        | 46       | 47       | 8.17 kg  | 1 pc       |
| Rely    | HW91  | Counter chair | 103       | 51       | 55       | 9.42 kg  | 1 pc       |
| Rely    | HW92  | Counter chair | 103       | 51       | 55       | 10.22 kg | 1 pc       |
| Rely    | HW93  | Counter chair | 103       | 51       | 55       | 9.92 kg  | 1 pc       |
| Rely    | HW94  | Counter chair | 103       | 51       | 55       | 11.02 kg | 1 pc       |

## Packaging Information

| Product             | Model       | Category            | Height cm | Width cm | Depth cm | Weight   | Colli qty. |
|---------------------|-------------|---------------------|-----------|----------|----------|----------|------------|
| Rely                | HW95        | Counter chair       | 103       | 51       | 55       | 11.02 kg | 1 pc       |
| Rely                | HW96        | Bar chair           | 113       | 51       | 55       | 9.74 kg  | 1 pc       |
| Rely                | HW97        | Bar chair           | 113       | 51       | 55       | 10.54 kg | 1 pc       |
| Rely                | HW98        | Bar chair           | 113       | 51       | 55       | 10.24 kg | 1 pc       |
| Rely                | HW99        | Bar chair           | 113       | 51       | 55       | 11.34 kg | 1 pc       |
| Rely                | HW100       | Bar chair           | 113       | 51       | 55       | 11.34 kg | 1 pc       |
| Rely                | HW101       | Lounge Chair        | 77        | 62       | 62       | 6.42 kg  | 1 pc       |
| Rely                | HW102       | Lounge Chair        | 77        | 62       | 62       | 7.62 kg  | 1 pc       |
| Rely                | HW103       | Lounge Chair        | 77        | 62       | 62       | 7.12 kg  | 1 pc       |
| Rely                | HW104       | Lounge Chair        | 77        | 62       | 62       | 7.36 kg  | 1 pc       |
| Rely                | HW105       | Lounge Chair        | 77        | 62       | 62       | 7.36 kg  | 1 pc       |
| Rely                | ATD4        | Outdoor Table Top   | 4         | 65       | 75       | 8.10 kg  | 1 pc       |
| Rely                | ATD5        | Outdoor Table Top   | 4         | 75       | 75       | 7.00 kg  | 1 pc       |
| Rely                | ATD4 & ATD5 | Outdoor Table base  | 14        | 49       | 49       | 7.10 kg  | 1 pc       |
| Betty               | TK1         | Stackable Chair     | 86        | 52       | 52       | 9.95 kg  | 2 pcs      |
| Betty               | TK2         | Stackable Chair     | 86        | 52       | 52       | 12.15 kg | 2 pcs      |
| Betty               | TK3         | Chair               | 86        | 53       | 52       | 13.15 kg | 2 pcs      |
| Betty               | TK9         | Chair               | 90        | 50       | 62.5     | 11.20 kg | 2 pcs      |
| Betty               | TK10        | Chair               | 90        | 50       | 62.5     | 11.20 kg | 2 pcs      |
| Betty               | TK11        | Chair               | 90        | 50       | 62.5     | 14.50 kg | 2 pcs      |
| Betty               | TK4         | Bench               | 8         | 108      | 38       | 7.40 kg  | 1 pc       |
| Betty               | TK5         | Bench               | 8         | 159      | 38       | 9.80 kg  | 1 pc       |
| Betty               | TK7         | Stool               | 70        | 42       | 42       | 4.90 kg  | 1 pc       |
| Betty               | TK8         | Stool               | 80        | 42       | 42       | 4.90 kg  | 1 pc       |
| Allwood             | AV35        | Chair               | 91        | 51       | 60       | 13.40 kg | 2 pcs      |
| Allwood             | AV36        | Stacking trolley    | 57        | 76,2     | 54,8     | 13.40 kg | 1 pc       |
| Wire stool          | VP11        | Stool               | 47        | 46       | 46       | 3.80 kg  | 1 pc       |
| Wire stool cushion  | VP11        | Cushion             | 4.5       | 38       | 38       | 0.60 kg  | 1 pc       |
| Boomerang           | HM1         | Lounge Chair        | 81        | 79       | 80       | 8.00 kg  | 1 pc       |
| Boomerang           | HM2         | Lounge Chair        | 81        | 79       | 80       | 9.00 kg  | 1 pc       |
| X chair             | HM10        | Lounge Chair        | 80        | 81       | 69       | 14.15 kg | 1 pc       |
| Ax chair            | HM11        | Lounge chair        | 80        | 67       | 80       | 11.34 kg | 1 pc       |
| Drawn               | HM3         | Chair               | 78        | 46       | 49       | 6.50 kg  | 1 pc       |
| Drawn               | HM4         | Chair               | 78        | 46       | 54       | 8.70 kg  | 1 pc       |
| Little Petra        | VB1         | Lounge Chair        | 88        | 88       | 88       | 27.20 kg | 1 pc       |
| Little Petra        | VB2         | Sofa                | 85        | 150      | 78       | 43.10 kg | 1 pc       |
| Petra               | VB3         | Lounge chair        | 110       | 85       | 95       | 35.76 kg | 1 pc       |
| Little Petra & Pouf | VB1 & ATD1  | Lounge chair & Pouf | 80        | 88       | 88       | 32.30 kg | 1 pc       |
| Pouf                | ATD1        | Pouf                | 41        | 53       | 53       | 6.80 kg  | 1 pc       |
| Wulff               | ATD2        | Lounge Chair        | 90        | 91       | 93       | 15.00 kg | 1 pc       |



## Packaging Information

| Product         | Model       | Category            | Height cm | Width cm | Depth cm | Weight    | Colli qty. |
|-----------------|-------------|---------------------|-----------|----------|----------|-----------|------------|
| Wulff           | ATD3        | Pouf                | 42        | 55       | 60       | 8.50 kg   | 1 pc       |
| Wulff           | ATD2 & ATD3 | Lounge Chair & Pouf | 90        | 91       | 93       | 32.60 kg  | 1 pc       |
| Loafer          | SC23        | Lounge Chair        | 80        | 75       | 75       | 31.50 kg  | 1 pc       |
| Loafer          | SC24        | Chair               | 80        | 65       | 65       | 33.20 kg  | 1 pc       |
| Loafer          | SC25        | Sofa                | 80        | 153      | 73       | 43.80 kg  | 1 pc       |
| Loafer          | SC26        | Sofa                | 80        | 188      | 73       | 54.10 kg  | 1 pc       |
| Margas          | LC1         | Lounge Chair        | 81        | 95       | 95       | 26.00 kg  | 1 pc       |
| Margas          | LC2         | Lounge Chair        | 81        | 95       | 95       | 32.00 kg  | 1 pc       |
| Margas          | LC3         | Sofa                | 81        | 165      | 95       | 38.00 kg  | 1 pc       |
| Mayor           | AJ5         | Sofa                | 80        | 211      | 73       | 82.00 kg  | 1 pc       |
| Mayor           | AJ6         | Sofa                | 80        | 150      | 74       | 57.00 kg  | 1 pc       |
| Cloud           | LN1         | Lounge Chair        | 75        | 89       | 108      | 63.80 kg  | 1 pc       |
| Cloud           | LN2         | Sofa                | 75        | 90       | 179      | 83.95 kg  | 1 pc       |
| Cloud           | LN3.2       | Sofa                | 76        | 90       | 228      | 102.40 kg | 1 pc       |
| Cloud High Back | LN5         | Lounge Chair        | 120       | 109      | 90       | 73.80 kg  | 1 pc       |
| Cloud High Back | LN6         | Sofa                | 120       | 179      | 90       | 98.25 kg  | 1 pc       |
| Cloud High Back | LN7         | Sofa                | 120       | 229      | 90       | 118.70 kg | 1 pc       |
| Inland          | AV22        | Sofa                | 69        | 102      | 182      | 78.10 kg  | 1 pc       |
| Inland          | AV23        | Sofa                | 69        | 104      | 231      | 92.00 kg  | 1 pc       |
| Inland          | AV21        | Lounge Chair        | 73        | 104      | 97       | 66.00 kg  | 1 pc       |
| Inland          | AV32        | Pouf                | 43        | 109      | 82       | 46.00 kg  | 1 pc       |
| Develius        | EV5         | Modular Sofa        | 50        | 80       | 17       | 6.05 kg   | 1 pc       |
| Develius        | EV6         | Modular Sofa        | 50        | 50       | 15       | 3.10 kg   | 1 pc       |
| Develius        | EV7         | Modular Sofa        | 35        | 50       | 13       | 1.70 kg   | 1 pc       |
| Develius        | EVIA        | Modular Sofa        | 74        | 114      | 93       | 57.10 kg  | 1 pc       |
| Develius        | EV1B        | Modular Sofa        | 74        | 114      | 93       | 57.10 kg  | 1 pc       |
| Develius        | EV1C        | Modular Sofa        | 74        | 94       | 94       | 42.35 kg  | 1 pc       |
| Develius        | EV1D        | Modular Sofa        | 74        | 94       | 94       | 42.35     | 1 pc       |
| Develius        | EV1E        | Modular Sofa        | 46        | 93       | 93       | 31.50 kg  | 1 pc       |
| Develius        | EV1F        | Modular Sofa        | 74        | 114      | 93       | 57.10 kg  | 1 pc       |
| Develius        | EV1G        | Modular Sofa        | 74        | 114      | 93       | 57.10 kg  | 1 pc       |
| Develius        | EV1H        | Modular Sofa        | 74        | 115      | 155      | 79.40 kg  | 1 pc       |
| Develius        | EV1I        | Modular Sofa        | 74        | 115      | 155      | 79.40 kg  | 1 pc       |
| Develius        | EV1J        | Modular Sofa        | 74        | 114      | 93       | 57.10 kg  | 1 pc       |
| Develius        | EV1K        | Modular Sofa        | 74        | 114      | 93       | 57.10 kg  | 1 pc       |
| Develius        | EV2A        | Modular Sofa        | 74        | 135      | 112      | 71.70 kg  | 1 pc       |
| Develius        | EV2B        | Modular Sofa        | 74        | 135      | 112      | 71.70 kg  | 1 pc       |
| Develius        | EV2C        | Modular Sofa        | 74        | 115      | 115      | 64.90 kg  | 1 pc       |
| Develius        | EV2D        | Modular Sofa        | 74        | 115      | 115      | 65.90 kg  | 1 pc       |
| Develius        | EV2E        | Modular Sofa        | 46        | 114      | 112      | 38.90 kg  | 1 pc       |

## Packaging Information

| Product  | Model | Category              | Height cm | Width cm | Depth cm | Weight   | Colli qty. |
|----------|-------|-----------------------|-----------|----------|----------|----------|------------|
| Develius | EV2F  | Modular Sofa          | 74        | 135      | 112      | 65.70 kg | 1 pc       |
| Develius | EV2G  | Modular Sofa          | 74        | 135      | 112      | 65.70 kg | 1 pc       |
| Develius | EV2J  | Modular Sofa          | 74        | 135      | 112      | 71.70 kg | 1 pc       |
| Develius | EV2K  | Modular Sofa          | 74        | 135      | 112      | 71.70 kg | 1 pc       |
| Develius | EV8A  | Modular Sofa          | 74        | 114      | 93       | 57.10 kg | 1 pc       |
| Develius | EV8B  | Modular Sofa          | 74        | 114      | 93       | 57.10 kg | 1 pc       |
| Develius | EV8C  | Modular Sofa          | 74        | 94       | 94       | 42.35 kg | 1 pc       |
| Develius | EV8D  | Modular Sofa          | 74        | 94       | 94       | 42.35    | 1 pc       |
| Develius | EV8E  | Modular Sofa          | 46        | 93       | 93       | 31.50 kg | 1 pc       |
| Develius | EV8F  | Modular Sofa          | 74        | 114      | 93       | 57.10 kg | 1 pc       |
| Develius | EV8G  | Modular Sofa          | 74        | 114      | 93       | 57.10 kg | 1 pc       |
| Develius | EV8H  | Modular Sofa          | 74        | 115      | 155      | 79.40 kg | 1 pc       |
| Develius | EV8I  | Modular Sofa          | 74        | 115      | 155      | 79.40 kg | 1 pc       |
| Develius | EV8J  | Modular Sofa          | 74        | 114      | 93       | 57.10 kg | 1 pc       |
| Develius | EV8K  | Modular Sofa          | 74        | 114      | 93       | 57.10 kg | 1 pc       |
| Isole    | NN1A  | Modular Sofa          | 26.5      | 66.5     | 66.5     | 9.50 kg  | 1 pc       |
| Isole    | NN1B  | Modular Sofa          | 22.5      | 61.5     | 67.5     | 8.30 kg  | 1 pc       |
| Isole    | NN1C  | Modular Sofa          | 22.5      | 46.6     | 68       | 6.90 kg  | 1 pc       |
| Isole    | NN1D  | Modular Sofa          | 3         | 31       | 31       | 1.50 kg  | 1 pc       |
| Isole    | NN1E  | Modular Sofa          | 3         | 21       | 65.5     | 2.35 kg  | 1 pc       |
| Isole    | NN1F  | Modular Sofa          | 3         | 66       | 66       | 7.70 kg  | 1 pc       |
| Isole    | NN1G  | Modular Sofa          | 7         | 4        | 4        | 0.50 kg  | 1 pc       |
| Fly      | SC10  | Lounge Chair          | 53        | 75       | 75       | 28.80 kg | 1 pc       |
| Fly      | SC1   | Lounge Chair          | 53        | 91       | 84       | 35.10 kg | 1 pc       |
| Fly      | SC2   | Sofa                  | 53        | 166      | 84.5     | 63.80 kg | 1 pc       |
| Fly      | SC3   | Sofa                  | 53        | 240.5    | 84.5     | 77.25 kg | 1 pc       |
| Fly      | SC12  | Sofa                  | 53        | 240.5    | 84.5     | 76.75 kg | 1 pc       |
| Fly      | SC9   | Pouf Base             | 11        | 85       | 96       | 14.60 kg | 1 pc       |
| Fly      | SC9   | Pouf Pillow           | 20        | 80       | 80       | 8.00 kg  | 1 pc       |
| Fly      | SC4   | Table Top             | 8         | 88       | 88       | 41.90 kg | 1 pc       |
| Fly      | SC4   | Table Base            | 11        | 85       | 96       | 14.60 kg | 1 pc       |
| Fly      | SC5   | Table Top             | 8         | 67       | 128      | 59.90 kg | 1 pc       |
| Fly      | SC5   | Table Base            | 7         | 75       | 126      | 15.90 kg | 1 pc       |
| Fly      | SC11  | Table Top             | 15        | 136      | 136      | 92.90 kg | 1 pc       |
| Fly      | SC11  | Table Base            | 9         | 125      | 135      | 48.00 kg | 1 pc       |
| Sett     | LN11  | Sett frame            | 13.5      | 19       | 55.5     | 4.00 kg  | 1 pc       |
| Sett     | LN11  | Sett marble table top | 8         | 48       | 48       | 11.00 kg | 1 pc       |
| Sett     | LN11  | Sett glass table top  | 8         | 48       | 48       | 13.00 kg | 1 pc       |
| Sett     | LN12  | Sett frame            | 13.5      | 19       | 136.5    | 7.10 kg  | 1 pc       |
| Sett     | LN12  | Sett marble table top | 8         | 148      | 68       | 56.00 kg | 1 pc       |

## Packaging Information

| Product                | Model                  | Category              | Height cm | Width cm | Depth cm | Weight    | Colli qty. |
|------------------------|------------------------|-----------------------|-----------|----------|----------|-----------|------------|
| Sett                   | LN12                   | Sett glass table top  | 8         | 148      | 68       | 65.00 kg  | 1 pc       |
| Sett                   | LN13                   | Sett frame            | 13.5      | 19       | 96.5     | 6.70 kg   | 1 pc       |
| Sett                   | LN13                   | Sett marble table top | 8         | 108      | 108      | 66.00 kg  | 1 pc       |
| Sett                   | LN13                   | Sett glass table top  | 8         | 108      | 108      | 78.00 kg  | 1 pc       |
| In Between             | SK3/SK11               | Table Top             | 4.5       | 92       | 92       | 19.95 kg  | 1 pc       |
| In Between             | SK3                    | Table Legs            | 25.5      | 81       | 23       | 8.60 kg   | 1 pc       |
| In Between Center Base | SK11                   | Support               | 60        | 60       | 5        | 8.30 kg   | 1 pc       |
| In Between Center Base | SK11                   | Column                | 75        | 19       | 19       | 8.00 kg   | 1 pc       |
| In Between Center Base | SK11                   | Base                  | 60        | 60       | 5        | 20.00 kg  | 1 pc       |
| In Between             | SK4/SK12               | Table Top             | 4.5       | 122.5    | 120      | 37.50 kg  | 1 pc       |
| In Between             | SK4                    | Table Legs            | 25.5      | 81       | 23       | 10.10 kg  | 1 pc       |
| In Between Center Base | SK12                   | Support               | 5         | 75       | 75       | 16.00 kg  | 1 pc       |
| In Between Center Base | SK12                   | Column                | 75        | 19       | 19       | 8.00 kg   | 1 pc       |
| In Between Center Base | SK12                   | Base                  | 5         | 75       | 75       | 24.00 kg  | 1 pc       |
| In Between             | SK23                   | Lounge table          | 7         | 65       | 125      | 11.3 kg   | 1 pc       |
| In Between             | SK24                   | Lounge table          | 7         | 105      | 105      | 16.8 kg   | 1 pc       |
| In Between             | SK5                    | Table Top             | 10        | 100      | 215      | 50.00 kg  | 1 pc       |
| In Between             | SK5                    | Table Legs            | 20        | 78       | 87       | 13.00 kg  | 1 pc       |
| In Between             | SK6                    | Table Top             | 10        | 110      | 265      | 67.80 kg  | 1 pc       |
| In Between             | SK6                    | Table Legs            | 20        | 78       | 97       | 13.50 kg  | 1 pc       |
| In Between             | SK13                   | Lounge table          | 7         | 63       | 63       | 5.05 kg   | 1 pc       |
| In Between             | SK14                   | Lounge table          | 7         | 75       | 75       | 7.15 kg   | 1 pc       |
| In Between             | SK15                   | Lounge table          | 7         | 105      | 105      | 15.35 kg  | 1 pc       |
| In Between             | SK16                   | Table top - Marble    | 8         | 80       | 70       | 40.00 kg  | 1 pc       |
| In Between             | SK16, SK21             | Table top - Fenix     | 5         | 64       | 74       | 15.00 kg  | 1 pc       |
| In Between             | SK17, SK22             | Table top - Fenix     | 5         | 64       | 64       | 14.00 kg  | 1 pc       |
| In Between             | SK18                   | Table top - Marble    | 8         | 100      | 100      | 61.00 kg  | 1 pc       |
| In Between             | SK19                   | Table top - Marble    | 8         | 130      | 130      | 104.00 kg | 1 pc       |
| In Between             | SK20                   | Table top - Marble    | 8         | 160      | 160      | 160.00 kg | 1 pc       |
| In Between             | SK21                   | Table top - Marble    | 8         | 80       | 70       | 40.00 kg  | 1 pc       |
| In Between             | SK16, SK17, SK21, SK22 | Support               | 5         | 50       | 50       | 6.20 kg   | 1 pc       |
| In Between             | SK18                   | Support               | 5         | 60       | 60       | 9.00 kg   | 1 pc       |
| In Between             | SK19 & SK20            | Support               | 5         | 75       | 75       | 14.90 kg  | 1 pc       |
| In Between             | SK16 & SK17            | Column                | 10        | 75       | 10       | 1.70 kg   | 1 pc       |
| In Between             | SK18                   | Column                | 15        | 76       | 15       | 5.50 kg   | 1 pc       |
| In Between             | SK19 & SK20            | Column                | 18        | 76       | 18       | 6.00 kg   | 1 pc       |
| In Between             | SK21 & SK22            | Column                | 5         | 105      | 10       | 2.50 kg   | 1 pc       |
| In Between             | SK16, SK17, SK21, SK22 | Base                  | 5         | 50       | 50       | 12.50 kg  | 1 pc       |
| In Between             | SK18                   | Base                  | 5         | 60       | 60       | 18.40 kg  | 1 pc       |
| In Between             | SK19 & SK20            | Base                  | 5         | 75       | 75       | 29.70 kg  | 1 pc       |

## Packaging Information

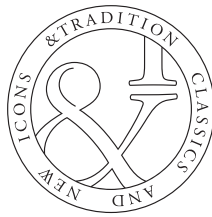
| Product   | Model     | Category              | Height cm | Width cm | Depth cm | Weight    | Colli qty. |
|-----------|-----------|-----------------------|-----------|----------|----------|-----------|------------|
| Patch     | HW1       | Extendable Table      | 14        | 97       | 187      | 90.25 kg  | 1 pc       |
| Patch     | HW2       | Extendable Table      | 14        | 107      | 247      | 110.70 kg | 1 pc       |
| Drip      | HW58      | Table Top             | 7         | 84       | 144      | 19.9 kg   | 1 pc       |
| Drip      | HW58      | Legs                  | 8         | 234      | 26       | 12.3 kg   | 1 pc       |
| Drip      | HW59      | Table Top             | 7         | 84       | 194      | 23.2 kg   | 1 pc       |
| Drip      | HW59      | Legs                  | 8         | 234      | 26       | 13.7 kg   | 1 pc       |
| Drip      | HW60      | Table Top             | 7         | 104      | 250      | 39.4 kg   | 1 pc       |
| Drip      | HW60      | Legs                  | 8         | 234      | 26       | 16 kg     | 1 pc       |
| Drip      | HW61      | Table top             | 7         | 54       | 194      | 13.9 kg   | 1 pc       |
| Drip      | HW61      | Legs                  | 16        | 184      | 27       | 19.9 kg   | 1 pc       |
| Drip      | HW62      | Table Top             | 7         | 84       | 194      | 23.2 kg   | 1 pc       |
| Drip      | HW62      | Legs                  | 16        | 184      | 27       | 21.7 kg   | 1 pc       |
| Drip      | HW63      | Table top             | 7         | 54       | 194      | 13.9 kg   | 1 pc       |
| Drip      | HW63      | Legs                  | 16        | 184      | 27       | 20.2 kg   | 1 pc       |
| Drip      | HW64      | Table top             | 7         | 84       | 194      | 23.2 kg   | 1 pc       |
| Drip      | HW64      | Legs                  | 16        | 184      | 27       | 22 kg     | 1 pc       |
| Drip      | HW111     | Table top             | 7         | 54       | 144      | 10.3 kg   | 1 pc       |
| Drip      | HW111     | Legs                  | 16        | 184      | 27       | 17.8 kg   | 1 pc       |
| Drip      | HW112     | Table top             | 7         | 54       | 144      | 16.9 kg   | 1 pc       |
| Drip      | HW112     | Legs                  | 16        | 184      | 27       | 19.8 kg   | 1 pc       |
| Drip      | HW113     | Table top             | 7         | 54       | 144      | 10.3 kg   | 1 pc       |
| Drip      | HW113     | Legs                  | 16        | 184      | 27       | 18.3 kg   | 1 pc       |
| Drip      | HW114     | Table top             | 7         | 84       | 144      | 16.9 kg   | 1 pc       |
| Drip      | HW114     | Legs                  | 16        | 184      | 27       | 19.9 kg   | 1 pc       |
| Pavilion  | AV16      | Table Top + Stretcher | 8         | 75       | 145      | 21.1 kg   | 1 pc       |
| Pavilion  | AV16      | Frame                 | 11        | 66       | 82       | 11.1 kg   | 1 pc       |
| Pavilion  | AV17      | Table Top + Stretcher | 19        | 75       | 145      | 22.1 kg   | 1 pc       |
| Pavilion  | AV17      | Frame                 | 11        | 66       | 82       | 11.1 kg   | 1 pc       |
| Pavilion  | AV18      | Table                 | 7.2       | 166      | 96       | 33.6 kg   | 1 pc       |
| Pavilion  | AV19      | Table                 | 7.2       | 206      | 96       | 44.0 kg   | 1 pc       |
| Pavilion  | AV24      | Table                 | 7.2       | 256      | 116      | 53.60 kg  | 1 pc       |
| Drop Leaf | HM5       | Side Table            | 15        | 85       | 86       | 17.95 kg  | 1 pc       |
| Drop Leaf | HM6       | Dining Table          | 53        | 142      | 163      | 51.60 kg  | 1 pc       |
| Pinwheel  | HM7       | Table                 | 5         | 71       | 79       | 6.55 kg   | 1 pc       |
| Lato      | LN8       | Lounge Table Top      | 9         | 44       | 42       | 5.40 kg   | 1 pc       |
| Lato      | LN8       | Wood Table Top        | 10        | 70       | 50       | 4.20 kg   | 1 pc       |
| Lato      | LN9       | Lounge Table Top      | 9         | 54       | 42       | 6.20 kg   | 1 pc       |
| Lato      | LN9       | Wood Table Top        | 10        | 70       | 50       | 4.20 kg   | 1 pc       |
| Lato      | LN8 & LN9 | Side Table Base       | 30        | 30       | 30       | 16.00 kg  | 1 pc       |

## Packaging Information

| Product       | Model       | Category               | Height cm | Width cm | Depth cm | Weight   | Colli qty. |
|---------------|-------------|------------------------|-----------|----------|----------|----------|------------|
| Tung          | JA3         | Side table             | 54.5      | 41       | 41       | 13.42 kg | 1 pc       |
| Rotate        | SC73        | Trolley                | 64        | 39       | 39       | 18.4 kg  | 1 pc       |
| Alima Trolley | NDS1        | Trolley                | 63        | 97       | 46       | 14.5 kg  | 1 pc       |
| Alima Tray    | NDS1        | Trolley Tray           | 5         | 51       | 48.5     | 2.8 kg   | 1 pc       |
| Palette       | JH7         | Lounge Table           | 50        | 70       | 126      | 28.40 kg | 1 pc       |
| Palette       | JH9         | Desk                   | 88        | 145      | 67       | 32.25 kg | 1 pc       |
| Palette       | JH25        | Lounge Table           | 48        | 107      | 120      | 49.50 kg | 1 pc       |
| Shuffle       | MH1         | Table                  | 20        | 79       | 48       | 14.70 kg | 1 pc       |
| Halten        | SH9         | Table Warm Black frame | 56.5      | 40.5     | 46.5     | 4.56 kg  | 1 pc       |
| Halten        | SH9         | Table Warm Black frame | 56.5      | 40.5     | 46.5     | 4.52 kg  | 1 pc       |
| Halten        | SH9         | Table marble top       | 6.5       | 41       | 39       | 3.17 kg  | 1 pc       |
| Halten        | SH9         | Table glass top        | 6.5       | 41       | 39       | 2.92 kg  | 1 pc       |
| Trace         | SC87        | Cabinet                | 210       | 68       | 80       | 55.70 kg | 1 pc       |
| Trace         | SC88        | Cabinet                | 210       | 128      | 80       | 110 kg   | 1 pc       |
| Thorvald      | SC94        | Sidechair              | 88.5      | 66       | 55.5     | 17.30 kg | 2 pcs      |
| Thorvald      | SC95        | Armchair               | 88.5      | 66       | 65       | 20.60 kg | 2 pcs      |
| Thorvald      | SC94/SC95   | Cushion                | 85        | 57       | 52       | 7.50 kg  | 9 pcs      |
| Thorvald      | SC94/SC95   | Seat pad               | 85        | 57       | 52       | 6.65 kg  | 15 pcs     |
| Thorvald      | SC96        | Café table top         | 5.5       | 76       | 76       | 7.80 kg  | 1 pc       |
| Thorvald      | SC96/SC97   | Café table frame       | 8.5       | 81       | 66.5     | 9.40 kg  | 1 pc       |
| Thorvald      | SC97        | Café table top         | 5.5       | 79       | 79       | 10.50 kg | 1 pc       |
| Thorvald      | SC98        | Dining table top       | 5.5       | 123.5    | 122      | 19.10 kg | 1 pc       |
| Thorvald      | SC98        | Dining table frame     | 21        | 100.5    | 87       | 17.00 kg | 1 pc       |
| Thorvald      | SC102       | Side table             | 51.5      | 45       | 45       | 6.10 kg  | 1 pc       |
| Thorvald      | SC100       | Lounge side chair      | 65        | 82.5     | 82.5     | 21.00 kg | 1 pc       |
| Thorvald      | SC101       | Lounge arm chair       | 74        | 82.5     | 82.5     | 24.20 kg | 1 pc       |
| Thorvald      | SC100/SC101 | Cushion                | 85        | 57       | 52       | 8.89 kg  | 9 pcs      |
| Thorvald      | SC100/SC101 | Seat pad               | 85        | 57       | 52       | 7.9 kg   | 15 pcs     |
| Ville         | AV33        | Outdoor chair          | 54.5      | 62       | 91       | 20.20 kg | 2 pcs      |
| Ville         | AV34        | Outdoor chair          | 69        | 62       | 91       | 23.40 kg | 2 pcs      |
| Ville         | AV33/AV34   | Cushion                | 85        | 57       | 52       | 5.06 kg  | 6 pcs      |
| Ville         | AV27        | Outdoor bench          | 128.5     | 50       | 16       | 18.00 kg | 1 pc       |
| Ville         | AV28        | Outdoor bench          | 198.5     | 50       | 16       | 25.85 kg | 1 pc       |
| Ville         | AV27        | Cushion                | 85        | 57       | 52       | 7.28 kg  | 8 pcs      |
| Ville         | AV28        | Cushion                | 85        | 57       | 52       | 8.96kg   | 6 pcs      |
| Ville         | AV25        | Outdoor table          | 168.5     | 100      | 16       | 42.00 kg | 1 pc       |
| Ville         | AV26        | Outdoor table          | 238.5     | 100      | 16       | 56.58 kg | 1 pc       |

# Packaging Information

| Product | Model | Category   | Height cm | Width cm | Depth cm | Weight   | Colli qty. |
|---------|-------|------------|-----------|----------|----------|----------|------------|
| Capture | SC77  | Coat Stand | 14        | 41       | 189      | 8.50 kg  | 1 pc       |
| Cruise  |       |            |           |          |          |          |            |
| Amore   | SC49  | Mirror     | 122       | 122      | 13       | 47.50 kg | 1 pc       |
| Amore   | SC50  | Mirror     | 197       | 67       | 13       | 49.50 kg | 1 pc       |
| Amore   | SC56  | Mirror     | 80        | 80       | 8        | 12.5kg   | 1 pc       |
| Sillon  | SH4   | Mirror     | 9         | 54       | 54       | 5.40 kg  | 1 pc       |
| Sillon  | SH5   | Mirror     | 9         | 74       | 74       | 9.30 kg  | 1 pc       |
| Sillon  | SH6   | Mirror     | 9         | 104      | 104      | 16.80 kg | 1 pc       |
| Sillon  | SH7   | Mirror     | 11        | 71       | 201      | 55.90 kg | 1 pc       |



**&Tradition**  
**Anker Heegaards Gade 8**  
**DK-1572 Copenhagen**  
**info@andtradition.com**  
**andtradition.com**

**©&Tradition 2024**  
**#andtradition**

**&Tradition®**